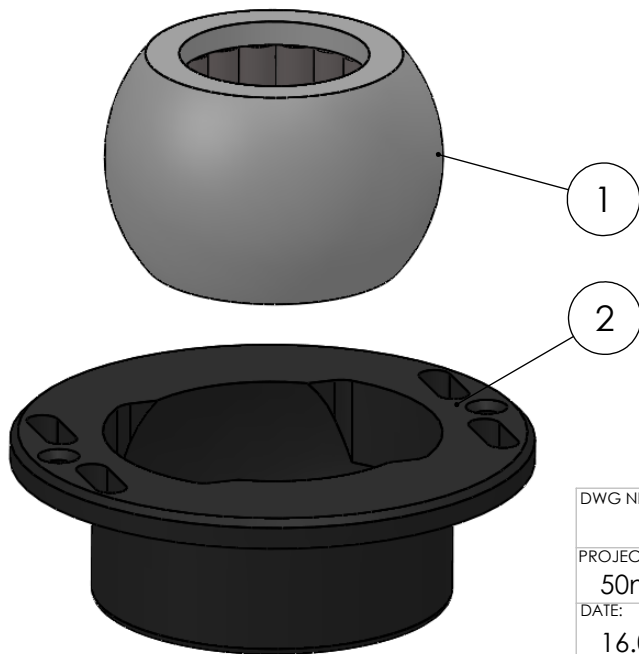



SECTION A-A
SCALE 1 : 1.2



ITEM NO.	PART NUMBER	PART NAME	QTY.
1	M13-160-50	Ball with rollers for $\phi 50\text{mm}$	1
2	M75-370	Bavaria Outer house	1

DWG NR / NAME:		BA315195			BATCH NR:	
PROJECT:		50mm Top Bearing			REKV.NR / ORDRE NR:	
DATE:	NAME:	SCALE / PAPER:	MATERIAL:	LOCATION:	ORDRE DATO:	 JEFA MARINE A/S NIMBUSVEJ 2 2670 GREVE. DENMARK Tlf: +45 4615 5210 & Fax: +45 46155208 Email: info@jefa.com www.jefa.com
16.09.2016	JR	1:2 / A4	WEIGHT: g	REV:	LEV.DATO:	
MODIFY DATE:		: /				