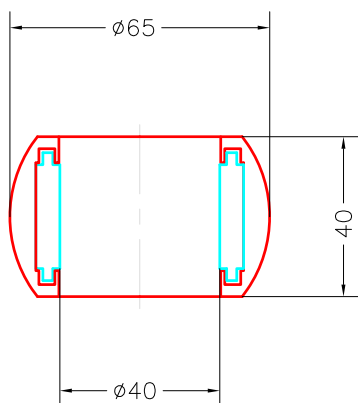


This boat is not equipped with Jefa roller bearings from the start

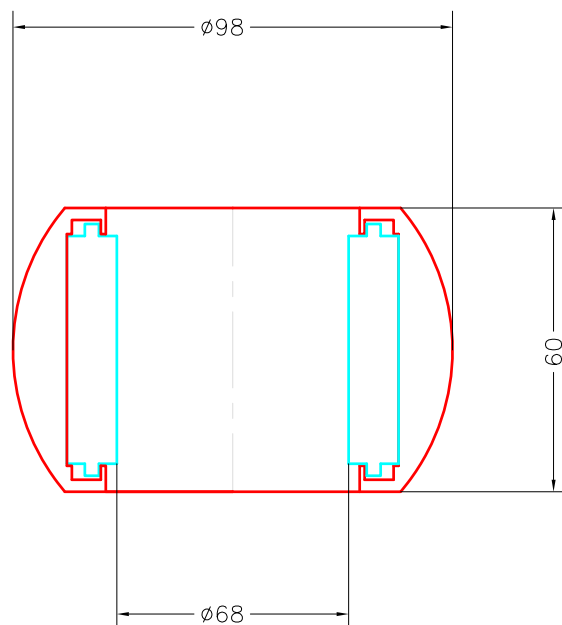
Below bearing balls with rollers fit into the original bearing house.

Top bearing



M13-095-40

Bottom bearing



M13-177-68

Modify date	Project: Bavaria 37 AC 2000/2001	
Modify date	Rudder bearing spareparts	
Modify date	Scale 1:4	Date 2009-06-12
Modify date	Material —	Drawing no. —
Modify date	Filename (dwg) —	
Modify date	Drawn by J.F.	—

Jefa Rudder
S Y S T E M S

JEFA MARINE A/S
NIMBUSVEJ 2
2670 GREVE, DENMARK
Tlf. +45-4615 5210 & Fax +45-4615 5208
E-mail info@jefa.com & WWW.jefa.com