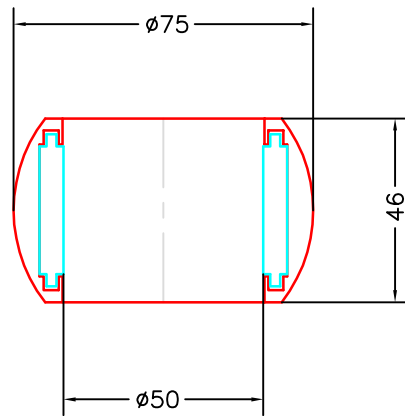


This boat is not equipped with Jefa roller bearings from the start

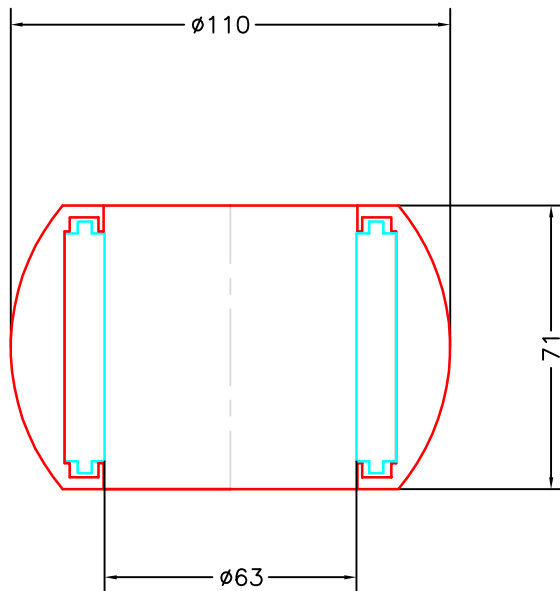
Below bearing balls with rollers fit into the original bearing house.

Top bearing




M13-125-50

Bottom bearing



M13-205-63

Modify date	Project: Bavaria 40 Cruiser year2000		 JEFA MARINE A/S NIMBUSVEJ 2 2670 GREVE, DENMARK Tlf. +45-4615 5210 & Fax +45-4615 5208 E-mail info@jefa.com & WWW.jefa.com
Modify date	Rudder bearing spareparts		
Modify date	Scale 1:4	Date 2009-08-05	
Modify date	Material —	Drawing no. —	
Modify date	Filename (dwg) —		
Modify date	Drawn by J.F.	—	