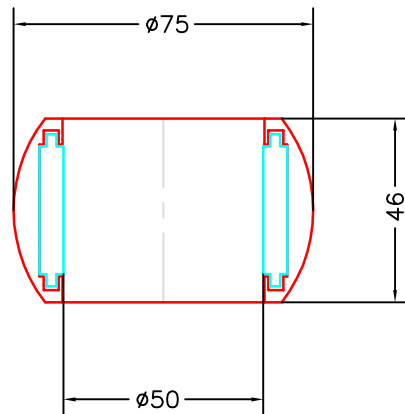


This boat is not equipped with Jefa roller bearings from the start

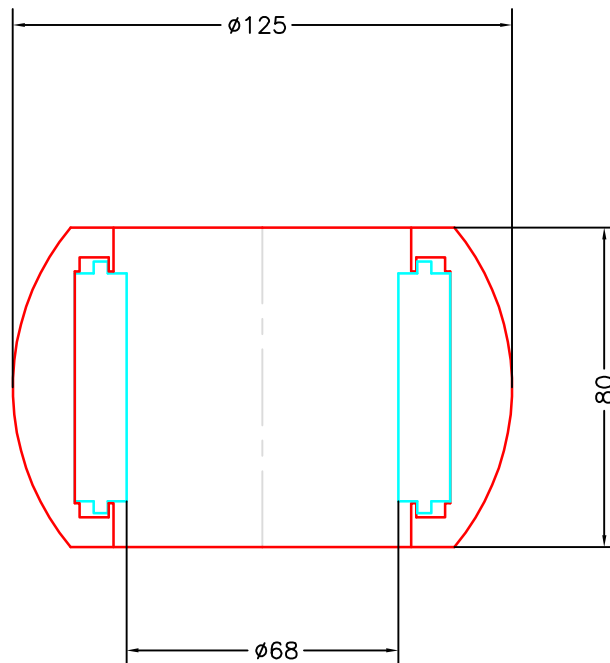
Below bearing balls with rollers fit into the original bearing house.

Top bearing




M13-125-50

Bottom bearing



M13-232-68

| | | | |
|-------------|-----------------------------|-----------------|---|
| Modify date | Project: Bavaria 42 Cruiser | |  JEFA MARINE A/S NIMBUSVEJ 2 2670 GREVE, DENMARK Tlf. +45-4615 5210 & Fax +45-4615 5208 E-mail info@jefa.com & WWW.jefa.com |
| Modify date | Rudder bearing spareparts | | |
| Modify date | Scale 1:4 | Date 2009-08-05 | |
| Modify date | Material — | Drawing no. — | |
| Modify date | Filename (dwg) — | | |
| Modify date | Drawn by J.F. | — | |