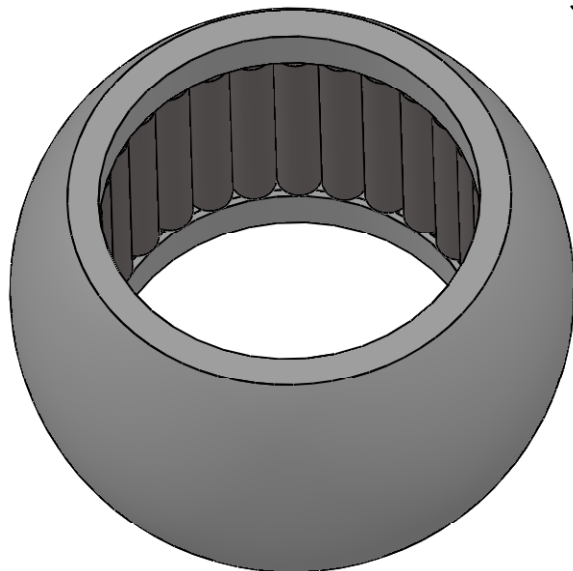
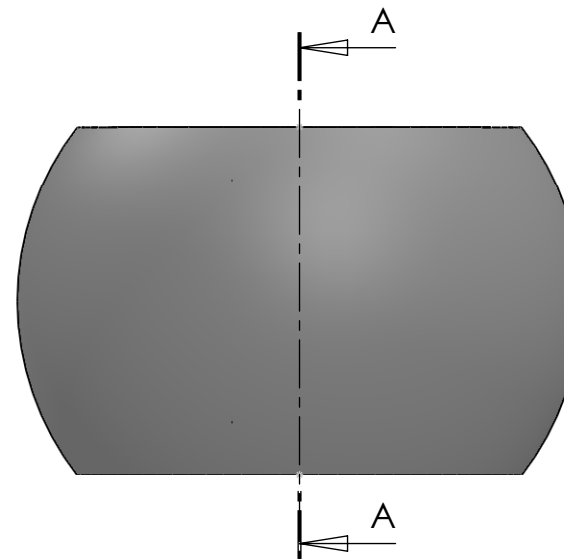


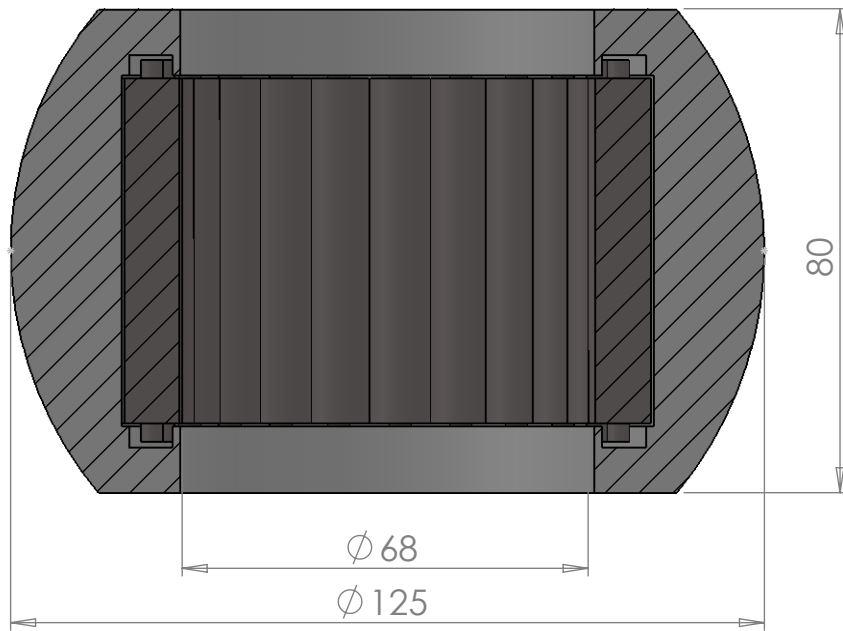
SECTION A-A
SCALE 1 : 1



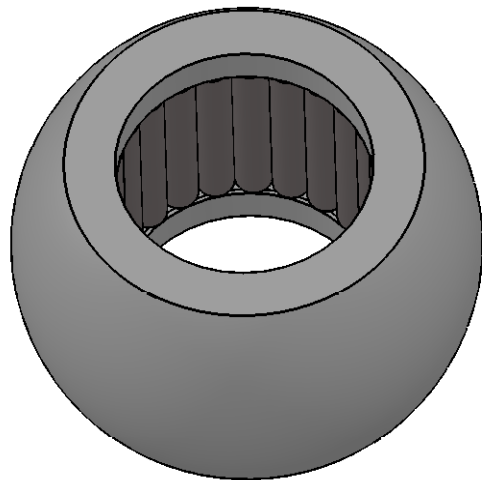
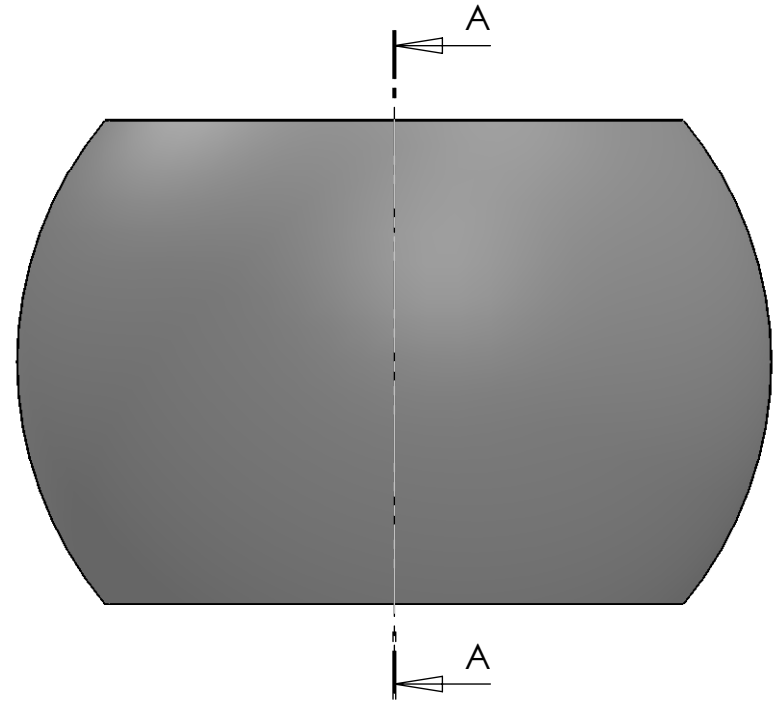
DWG NR / NAME: M13-125-50 / Bearing Ball with Rollers				BATCH NR:	
PROJECT: Shaft 50mm, OD 75mm.				REKV.NR / ORDRE NR:	
DATE: 06-04-2011	NAME: JR	SCALE / PAPER: 1:1 / A4	MATERIAL: PETP WEIGHT: g	LOCATION:	ORDRE DATO:
MODIFY DATE: : /				REV:	LEV.DATO:


Jefa Rudder
SYSTEMS

JEFA MARINE A/S
NIMBUSVEJ 2
2670 GREVE. DENMARK
Tlf: +45 4615 5210 & Fax: +45 46155208
Email: info@jefa.com www.jefa.com



SECTION A-A
SCALE 1 : 1.25



DWG NR / NAME: M13-232-68 / Bearing Ball with Rollers				BATCH NR:		 JEFA MARINE A/S NIMBUSVEJ 2 2670 GREVE, DENMARK Tlf: +45 4615 5210 & Fax: +45 46155208 Email: info@jefa.com www.jefa.com
PROJECT: Shaft 68mm, OD 125mm.				REKV.NR / ORDRE NR:		
DATE: 06-04-2011	NAME: JR	SCALE / PAPER: 1:2 / A4	MATERIAL: PETP WEIGHT: g	LOCATION:	ORDRE DATO:	
MODIFY DATE: : /				REV:	LEV.DATO:	