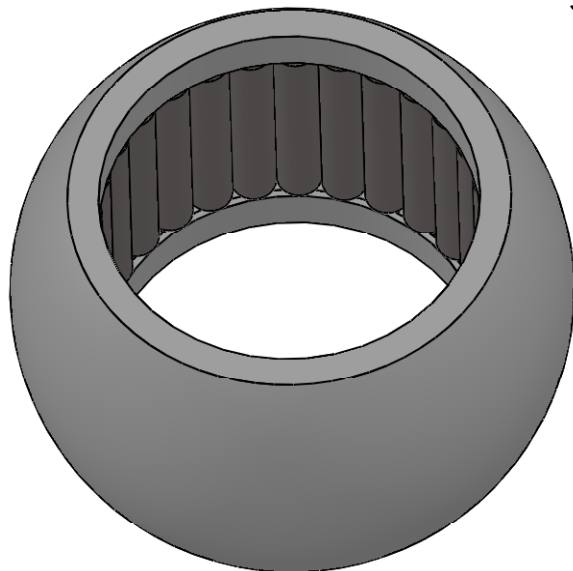
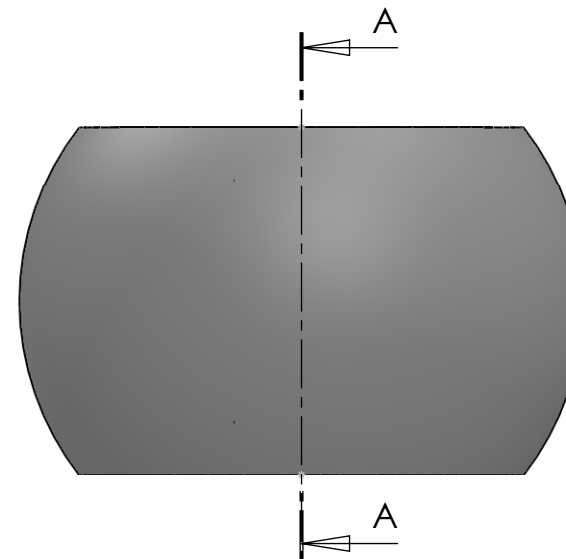
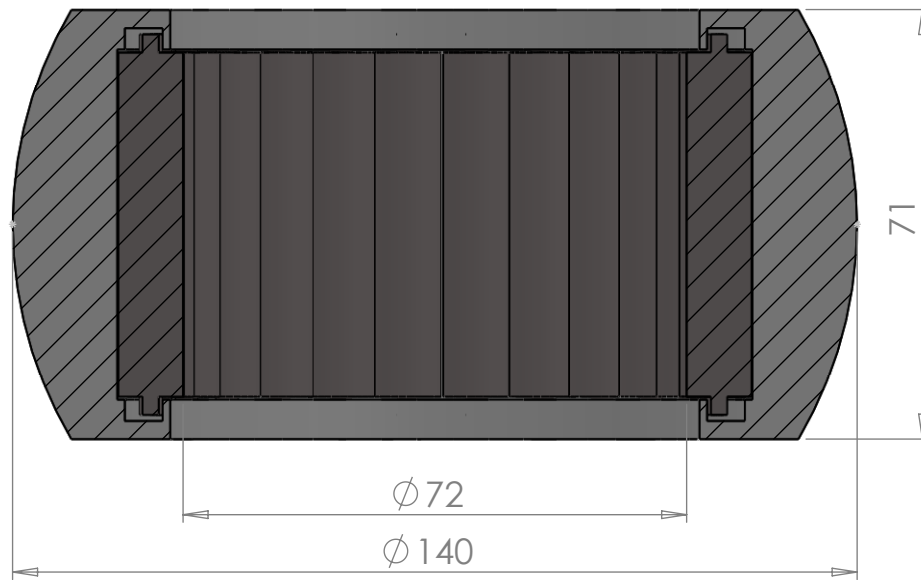


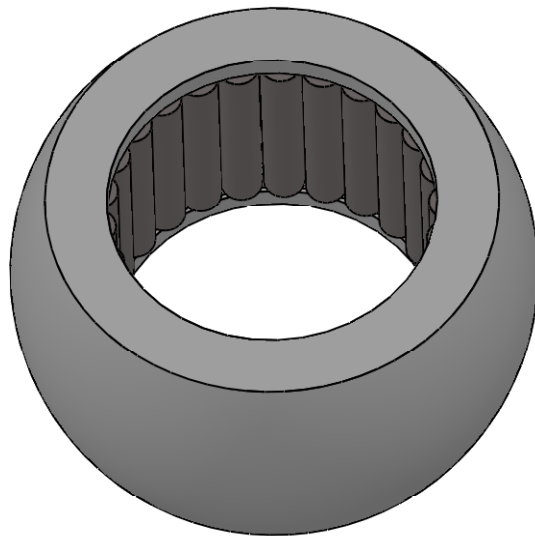
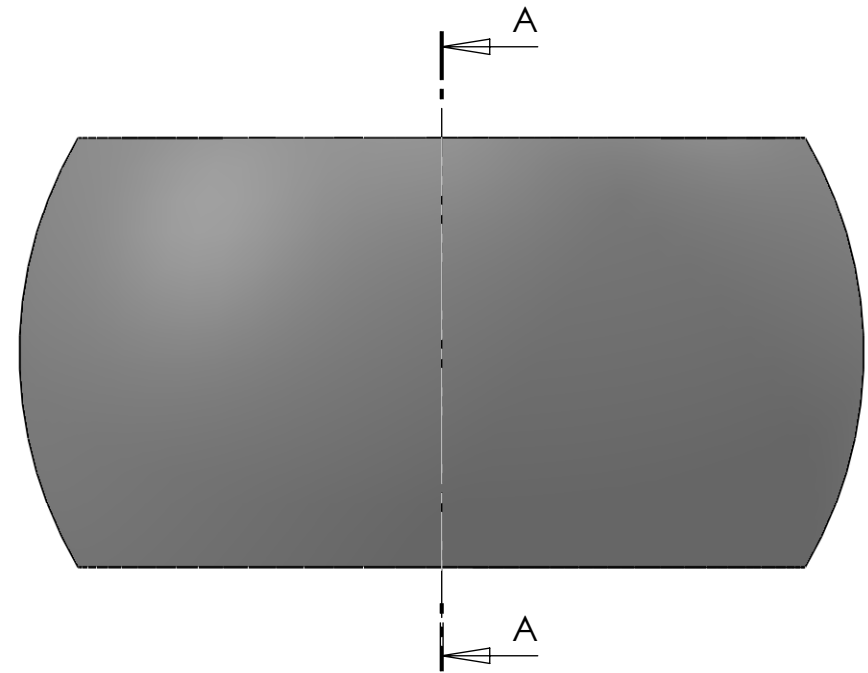
SECTION A-A  
SCALE 1 : 1




DWG NR / NAME: <b>M13-125-50 / Bearing Ball with Rollers</b>				BATCH NR:		<i>Jefa Rudder</i> S Y S T E M S
PROJECT: Shaft 50mm, OD 75mm.				REKV.NR / ORDRE NR:		
DATE: 06-04-2011	NAME: JR	SCALE / PAPER: 1:1 / A4	MATERIAL: PETP WEIGHT: g	LOCATION:	ORDRE DATO:	JEFA MARINE A/S NIMBUSVEJ 2 2670 GREVE. DENMARK Tlf: +45 4615 5210 & Fax: +45 46155208 Email: info@jefa.com www.jefa.com
MODIFY DATE: : /				REV:	LEV.DATO:	



SECTION A-A  
SCALE 1 : 1.25



DWG NR / NAME: <b>M13-268-72 / Bearing Ball with Rollers</b>				BATCH NR:		 <b>JEFA MARINE A/S</b> NIMBUSVEJ 2 2670 GREVE, DENMARK Tlf: +45 4615 5210 & Fax: +45 46155208 Email: info@jefa.com www.jefa.com
PROJECT: Shaft 72mm, OD 140mm.				REKV.NR / ORDRE NR:		
DATE: 06-04-2011	NAME: JR	SCALE / PAPER: 1:2 / A4	MATERIAL: PETP WEIGHT: g	LOCATION:	ORDRE DATO:	
MODIFY DATE: : 26.3.2015 A.G. created - not on scale				REV:	LEV.DATO:	