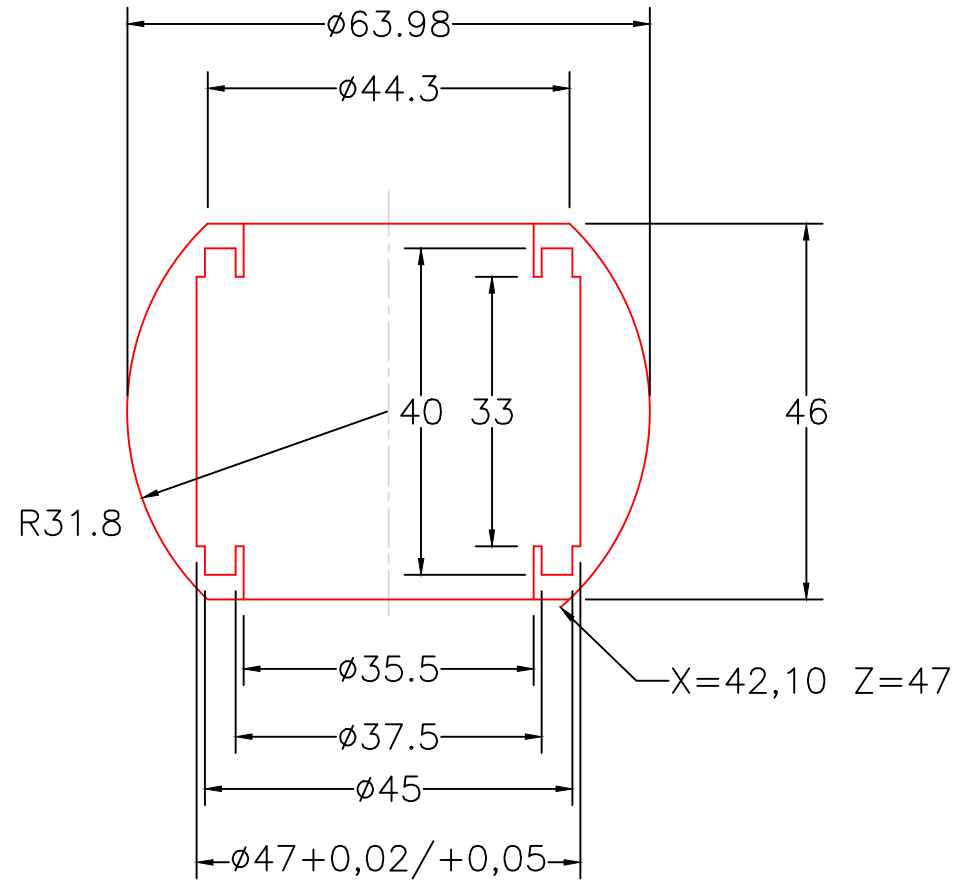
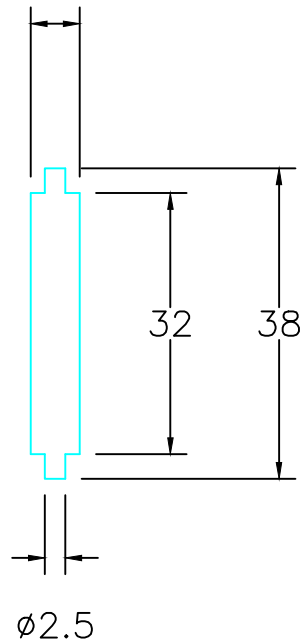


$\varnothing 6 \ +0/-0,03$



LS2201805

Modify date	Project: Self-aligning Roller bearing	
Modify date	$\varnothing 35$	
Modify date	Scale 1:1	Date —
Modify date	Material PETP	Drawing no. M74-331
Modify date	Filename LS2201805 (dwg)	
Modify date	Drawn by J.F.	

*Jefa Rudder*  
SYSTEMS

JEFA MARINE A/S  
NIMBUSVEJ 2  
2670 GREVE, DENMARK  
Tlf. +45-4615 5210 & Fax +45-4615 5208  
E-mail jefa@jefa.com & WWW.jefa.com