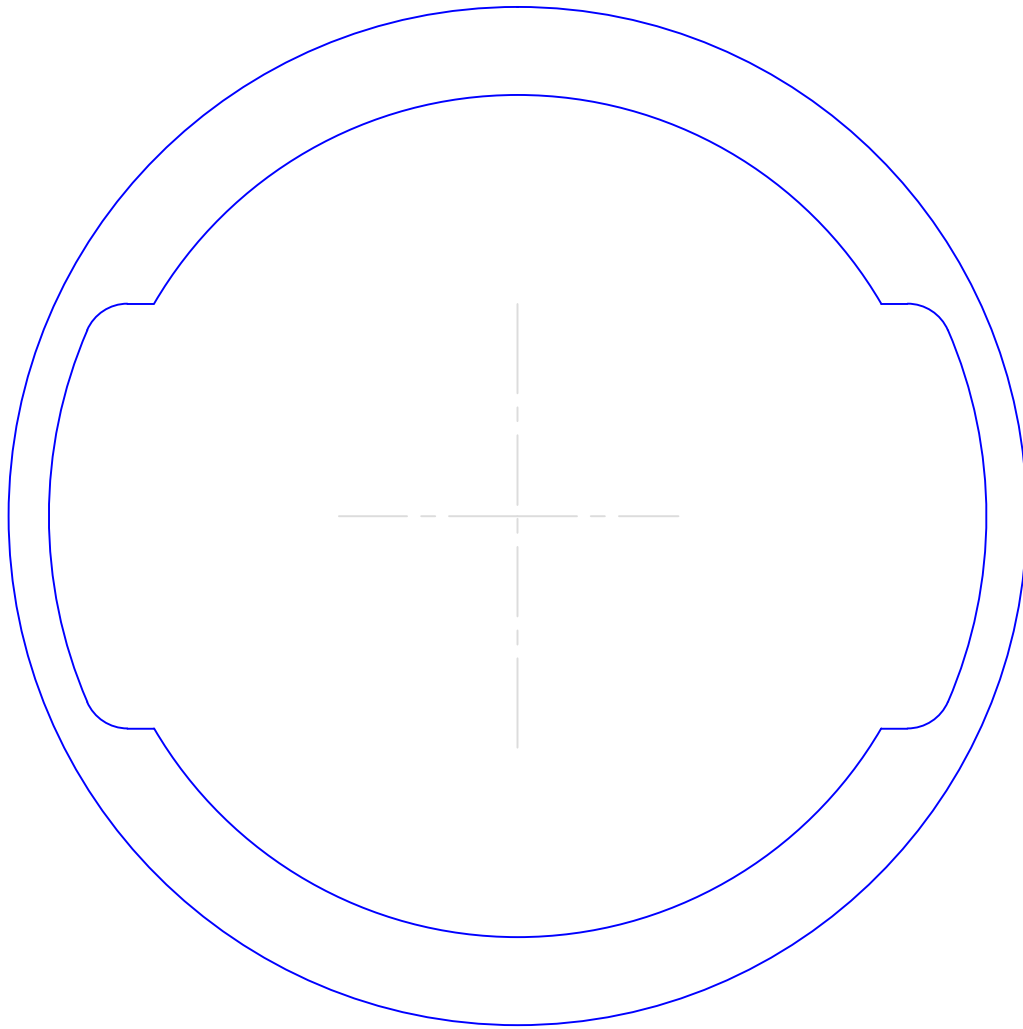


Max working load 1720kg

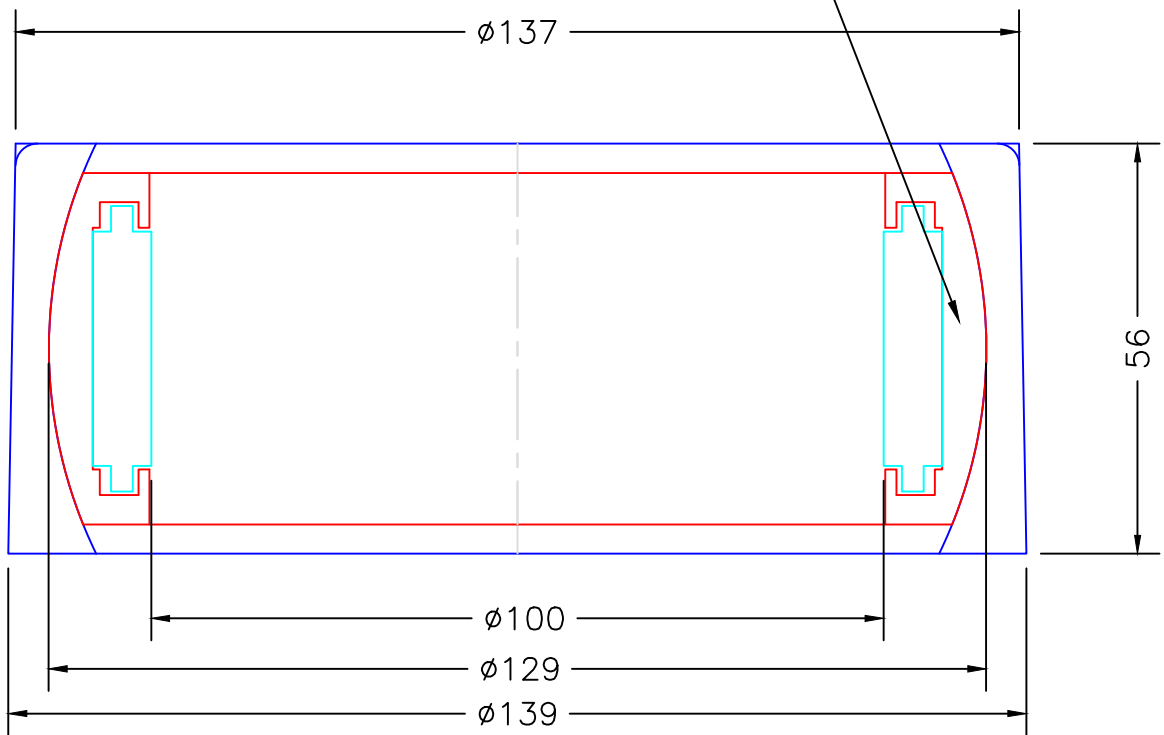
Modify date	Project: Self-aligning rudder bearing	
Modify date	First 40,7 $\phi 70$ (no1 to no442)	
Modify date	Scale 1:1	Date 20020204
Modify date	Material Alu.6082	Drawing no. —
Modify date	Filename LS2201648 (dwg)	
Modify date	Drawn by J.F.	

Jefa Rudder
SYSTEMS


JEFA MARINE A/S
NIMBUSVEJ 2
2670 GREVE, DENMARK
Tel. +45-4615 5210 & Fax +45-4615 5208
E-mail jefa@jefa.com & WWW.jefa.com



M74-264-100



Max working load 3200kg (Beneteau part number 070710)

Modify date	Project: Self-aligning rudder bearing		
Modify date	First 32 and 34,7		
Modify date	Scale 1:1	Date 2005-03-24	JEFA MARINE A/S NIMBUSVEJ 2 2670 GREVE, DENMARK Tlf. +45-4615 5210 & Fax +45-4615 5208 E-mail info@jefa.com & WWW.jefa.com
Modify date	Material -	Drawing no. LS2032	
Modify date	Filename (dwg) First 32 bottom bearing Ø100		
Modify date	Drawn by J.F.		