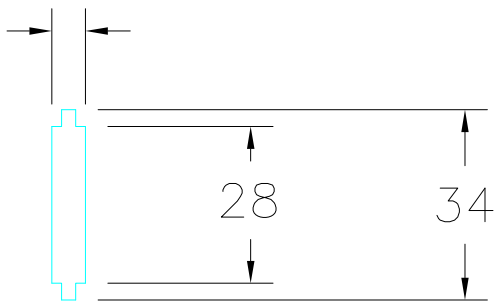
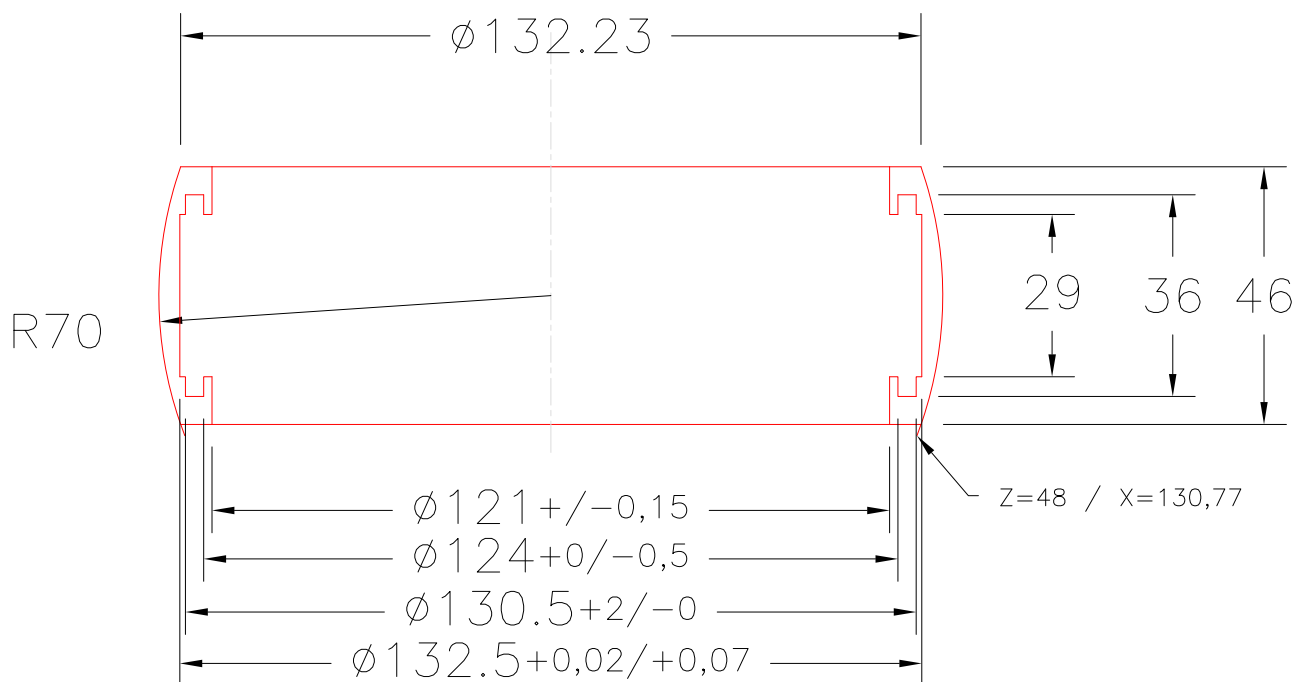
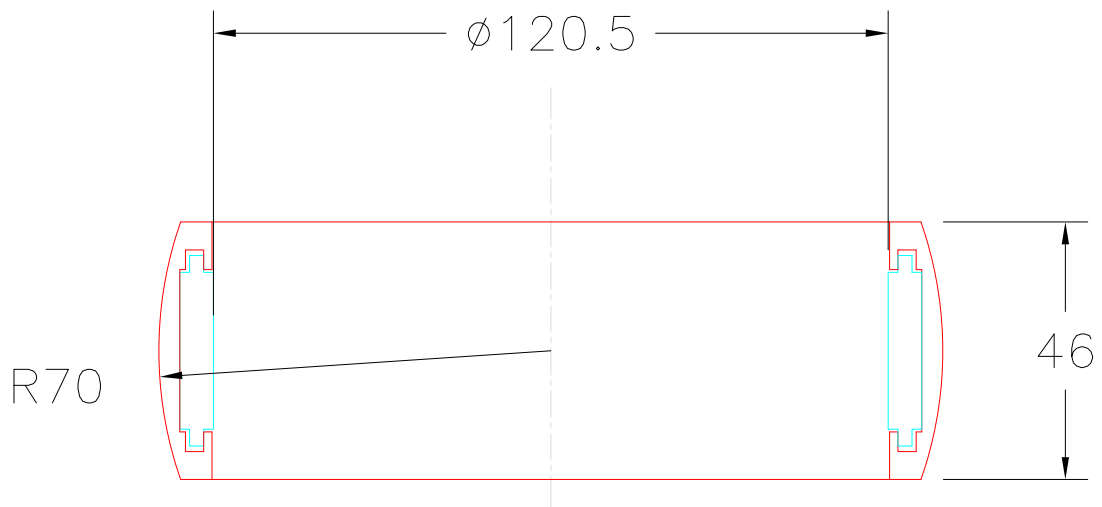


$\phi 6+0/-0,03$



$\phi 2.5$



Max working load 3680kg

Modify date	Project: Self-aligning rudder bearing		JEFA MARINE a/s SVEJSEGANEN 3 2690 KARLSLUNDE DENMARK Tlf. +45-4615 5210 Fax. +45-4615 5208 WWW.jefa.com
Modify date	First 36,7		
Modify date	Scale	Date	
Modify date	Material	Drawing no.	
Modify date	Filename (.dwg)		
Modify date	Drawn by		