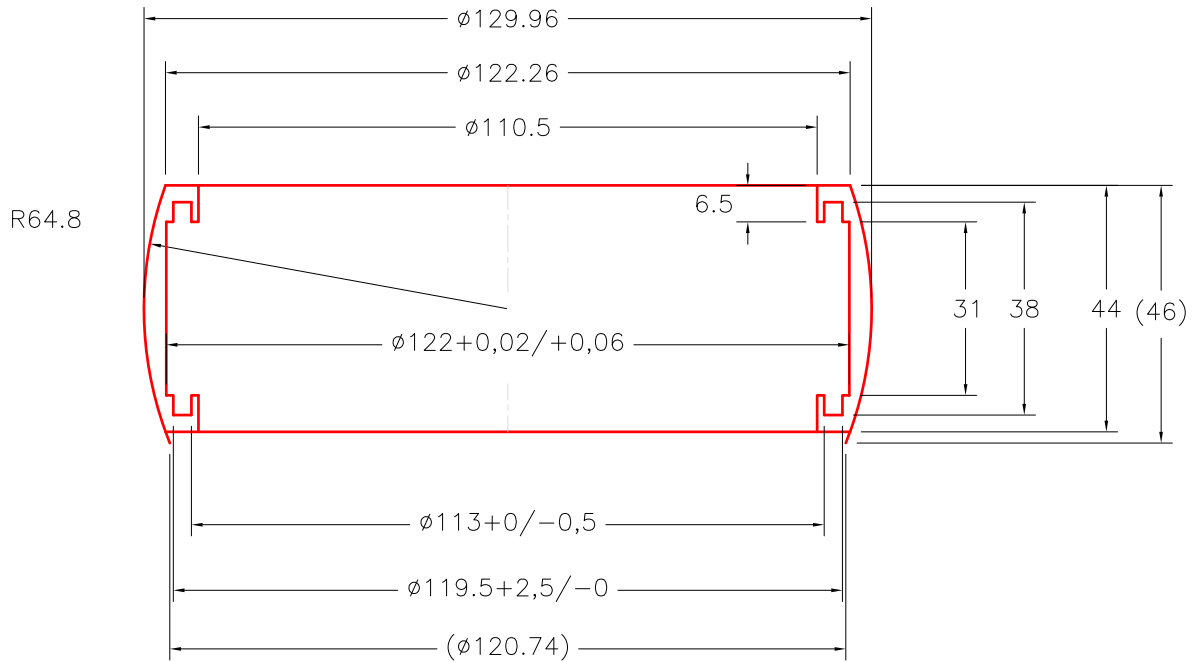
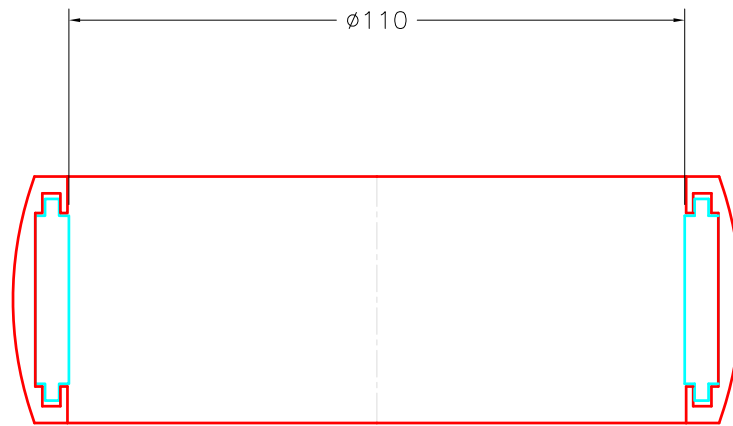
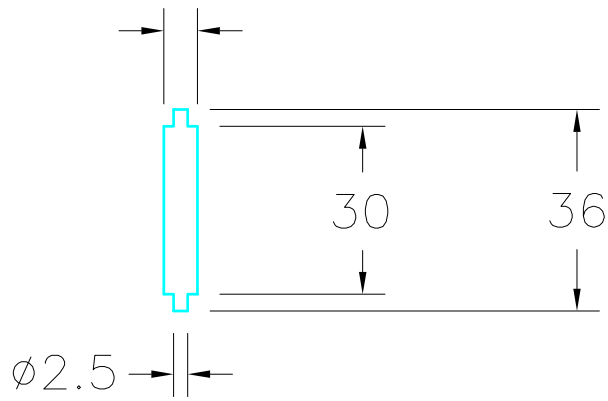


$\phi 6+0/-0,03$



Max working load 3600kg

Modify date	Project: Self-aligning rudder bearing	
Modify date	First 40,7 Old Model	
Modify date	Scale: 1:1	Date: 20020128
Modify date	Material: PETP	Drawing no. M74-301
Modify date	Filename (dwg): LS2201647	
Modify date	Drawn by: J.F.	

*Jefa Rudder*  
S Y S T E M S

JEFA MARINE A/S  
NIMBUSVEJ 2  
2670 GREVE, DENMARK  
Tel. +45-4615 5210 & Fax +45-4615 5208  
E-mail jefa@jefa.com & WWW.jefa.com