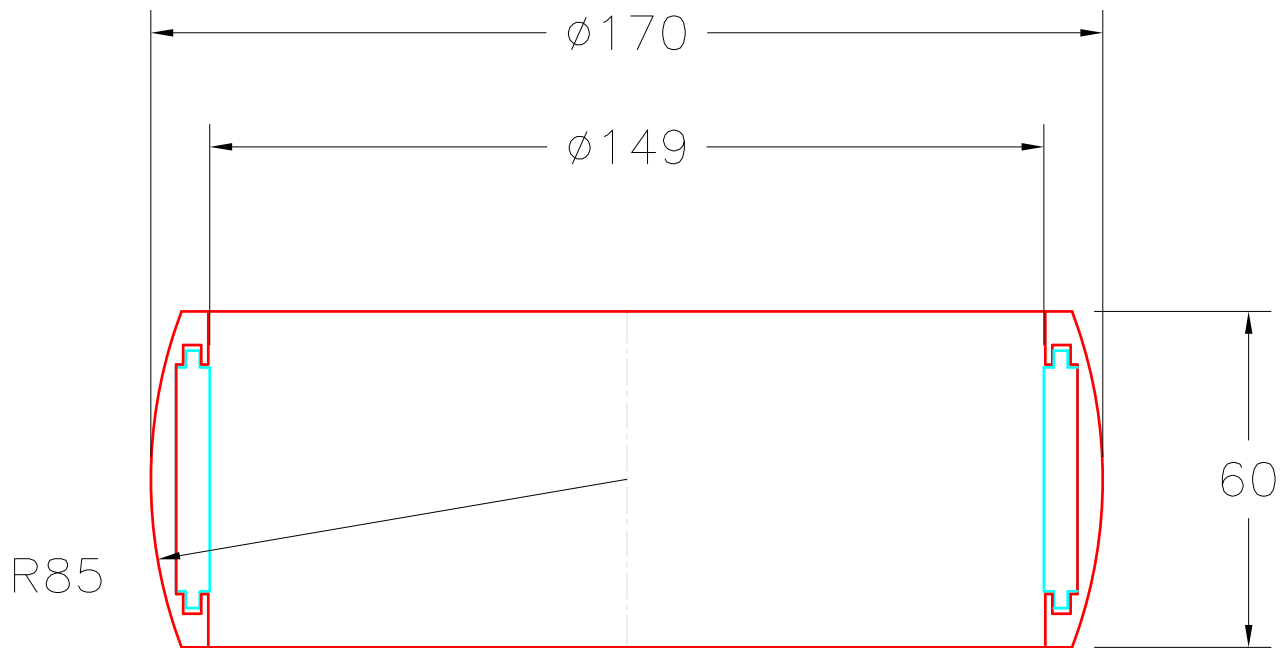


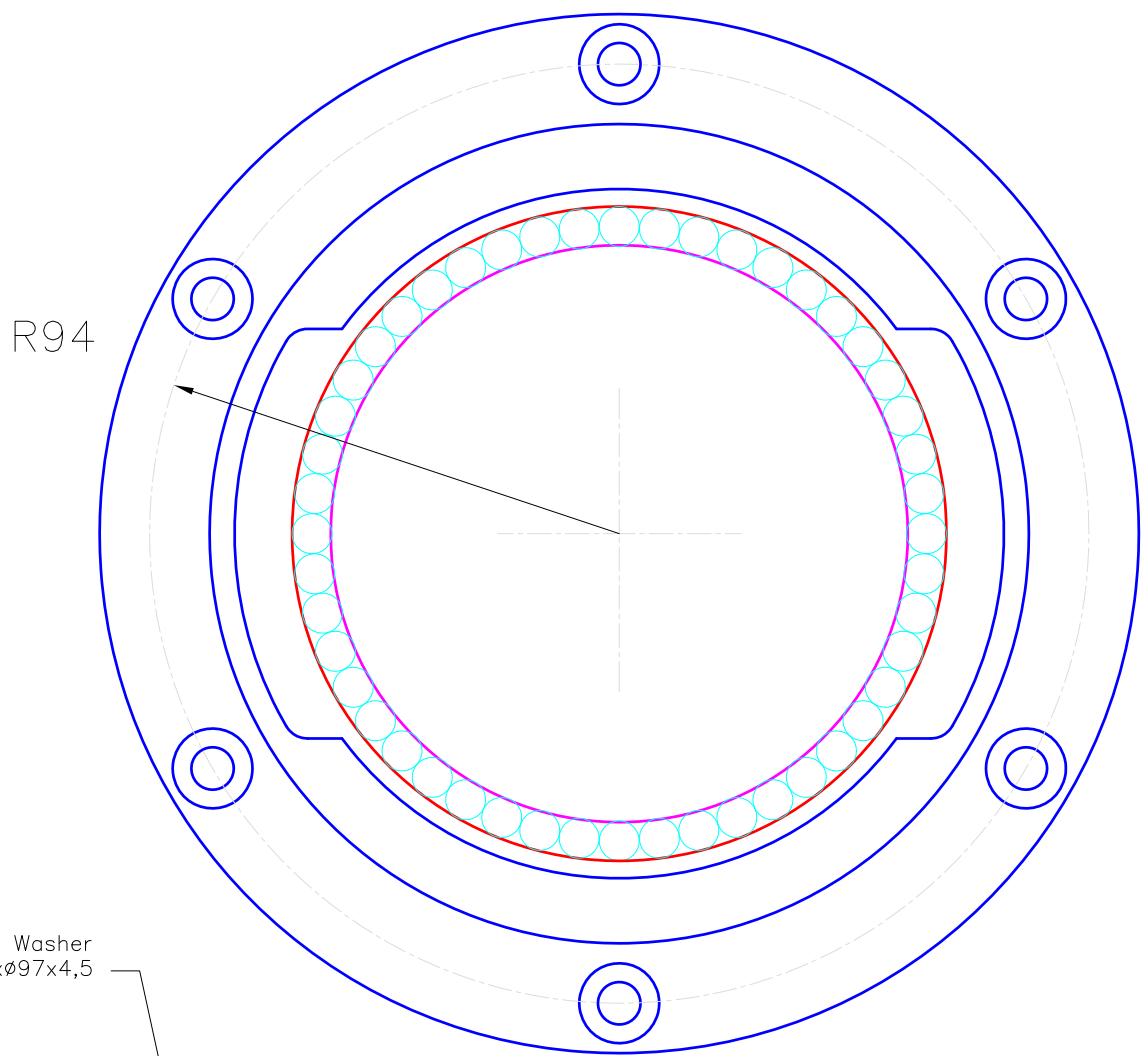
replacement ball with rollers for  $\varnothing 149\text{mm}$   
original JP3 gliding bearing



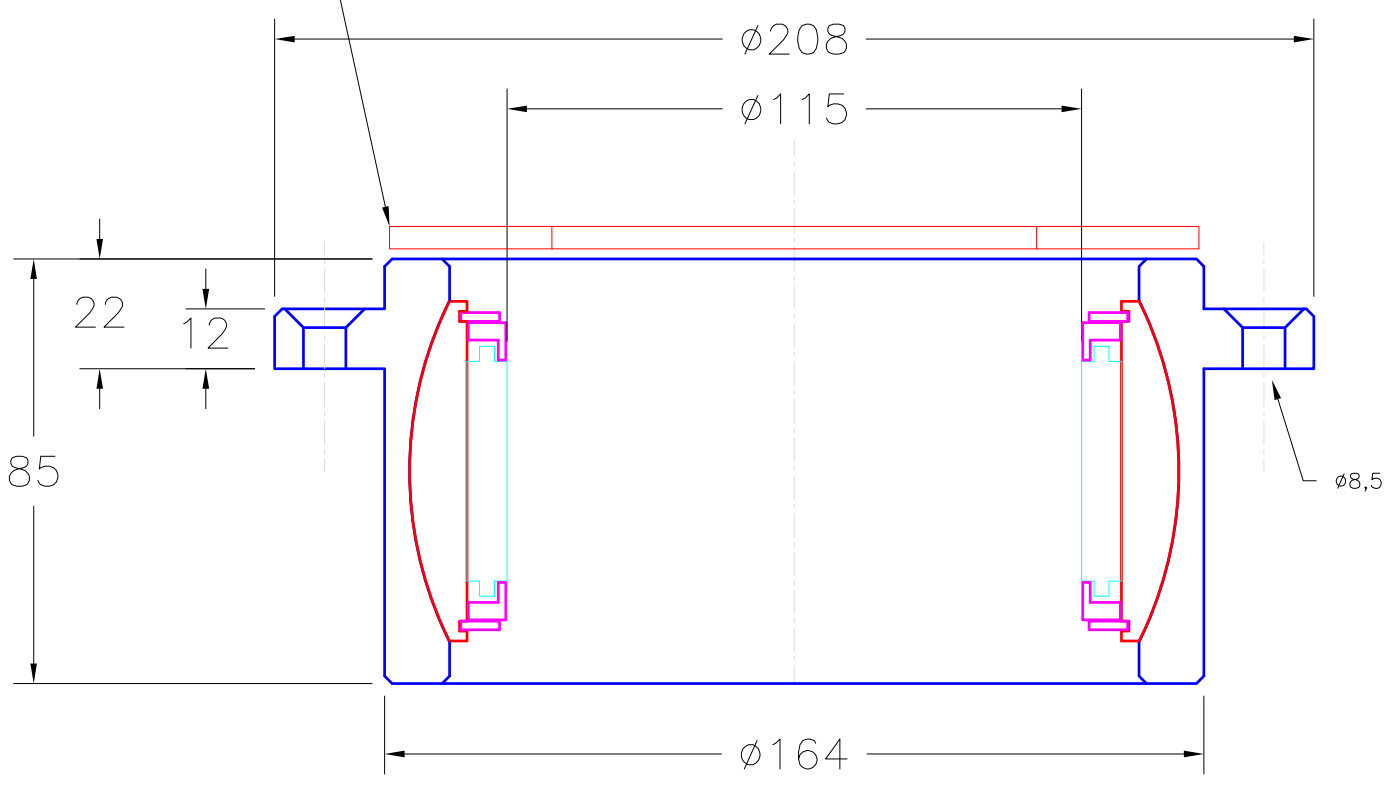
Modify date	Project: Self-aligning rudder bearing	
Modify date	First 47,7	
Modify date	Scale 1:1	Date 20020113
Modify date	Material Delrin	Drawing no. LS2201641
Modify date	Filename (dwg) First 47,7 spc ball for 149 bearing	
Modify date	Drawn by J.F.	

*Jefa Rudder*  
SYSTEMS

JEFA MARINE A/S  
NIMBUSVEJ 2  
2670 GREVE, DENMARK  
Tel. +45-4615 5210 & Fax +45-4615 5208  
E-mail jefa@jefa.com & WWW.jefa.com

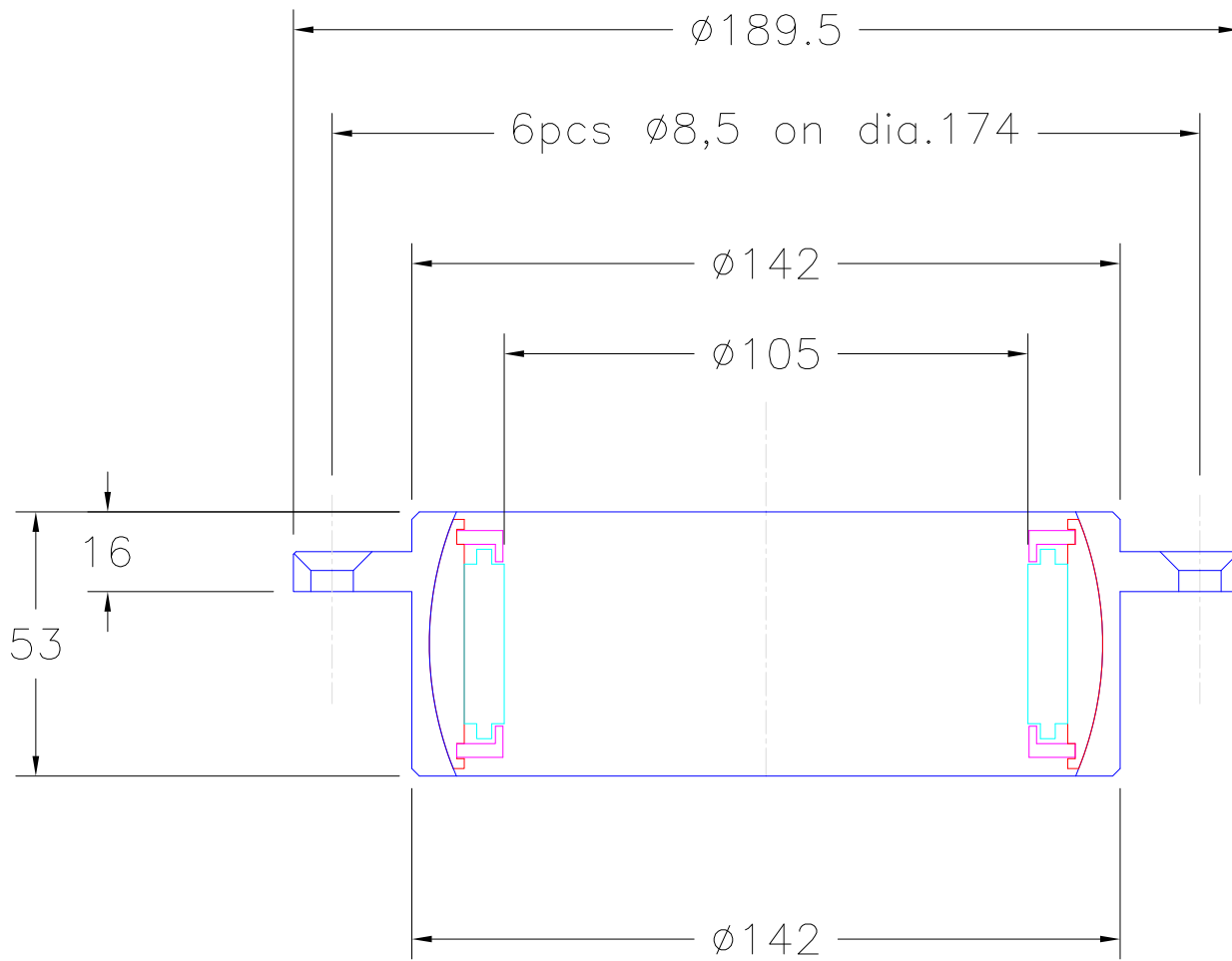


Washer  
 $\phi 162 \times \phi 97 \times 4,5$



Max working load 5630kg

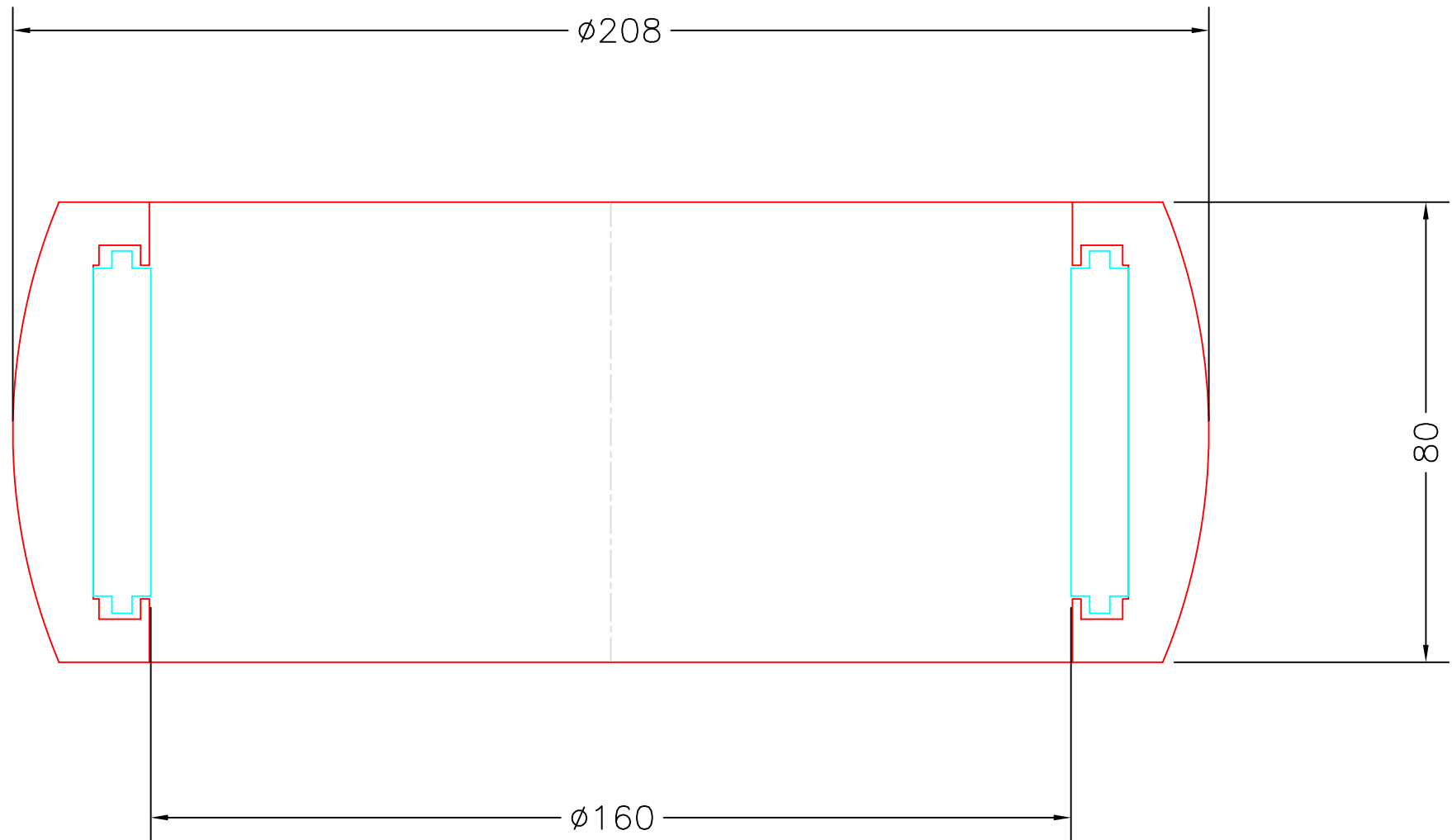
Modify date	Project: Self-aligning rudder bearing		JEFA MARINE a/s SVEJSEGANGEN 3 2690 KARLSLUNDE DENMARK Tlf. +45-4615 5210 Fax. +45-4615 5208 WWW.jefa.com
Modify date	First 47,7		
Modify date	Scale	1:1	Date 20020113
Modify date	Material	Alu.6082	Drawing no. 4FF115
Modify date	Filename (dwg)	First 47,7 top bearing $\phi 115$	
Modify date	Drawn by	J.F.	




Max working load 3580kg

Modify date	Project: Self-aligning rudder bearing	
Modify date	First 47,7 - no 1 to no 195	
Modify date	Scale: 1:1	Date: 20020114
Modify date	Material: Alu.6082	Drawing no. LS2201642
Modify date	Filename (dwg): First 47,7 top bearing $\varnothing 105$	
Modify date	Drawn by: J.F.	

*Jefa Rudder*  
 SYSTEMS  
 JEFA MARINE A/S  
 NIMBUSVEJ 2  
 2670 GREVE, DENMARK  
 TEL: +45-4615 5210 & Fax: +45-4615 5208  
 E-mail: jefa@jefa.com & WWW.jefa.com



For LS2201644 bearing

Modify date	Project: Self-aligning rudder bearing			
Modify date	First 47,7                      Ø160mm			
Modify date	Scale	1:1	Date	20011213
Modify date	Material	PETP	Drawing no.	LS2201644B
Modify date	Filename (dwg)	First 47,7 bottom bearing Ø160mm		
Modify date	Drawn by	J.F.		
				JEFA MARINE A/S NIMBUSVEJ 2 2670 GREVE, DENMARK Tlf. +45-4615 5210 & Fax +45-4615 5208 E-mail info@jefa.com & WWW.jefa.com