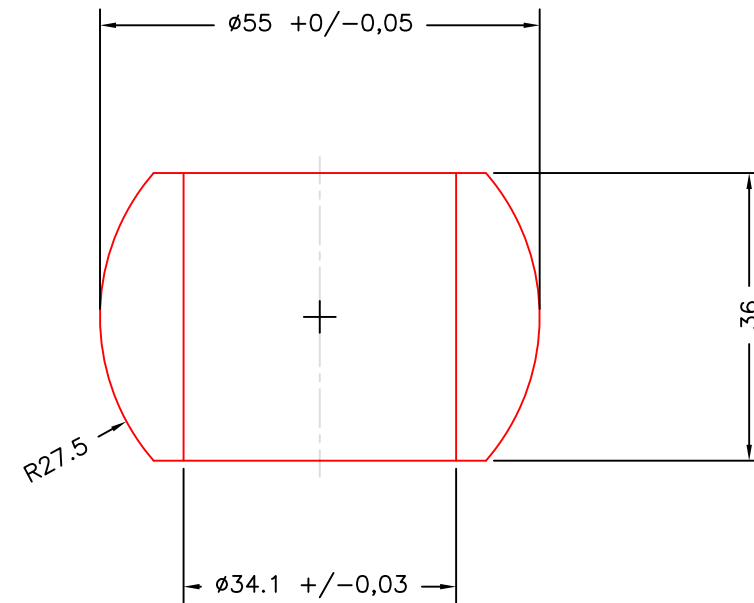

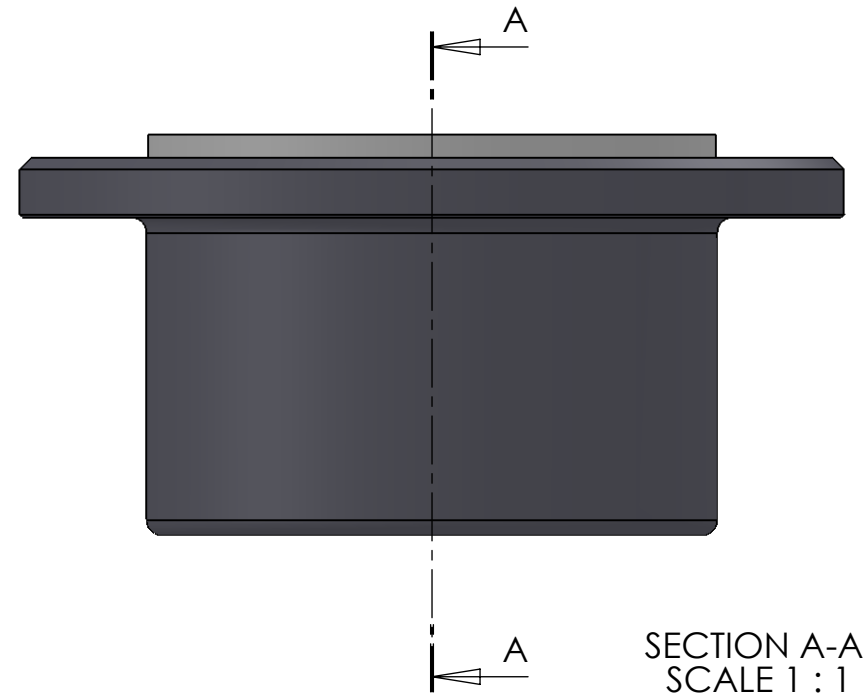
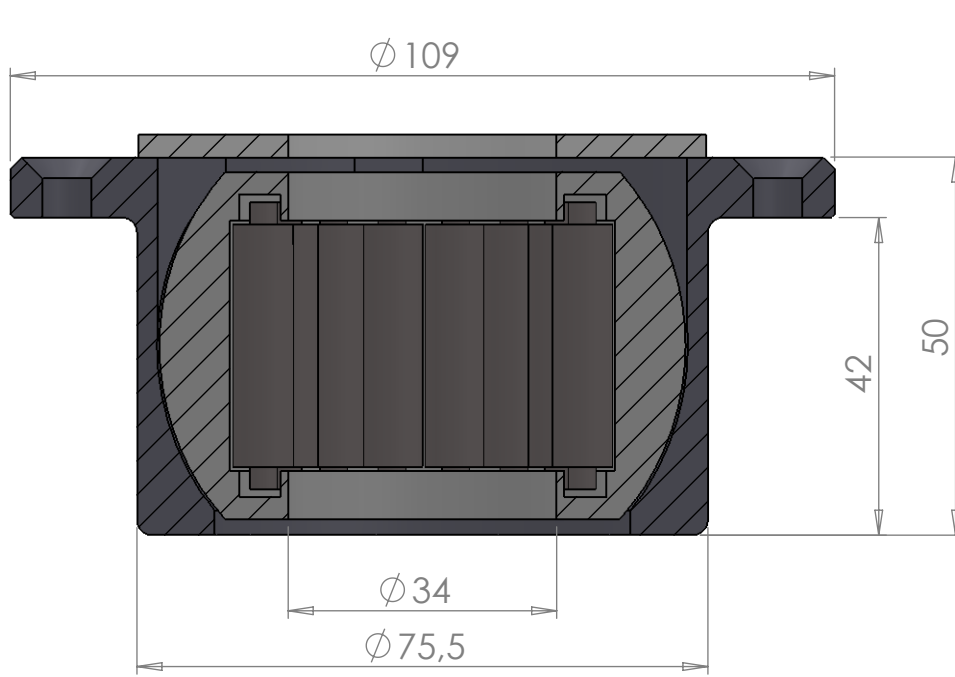


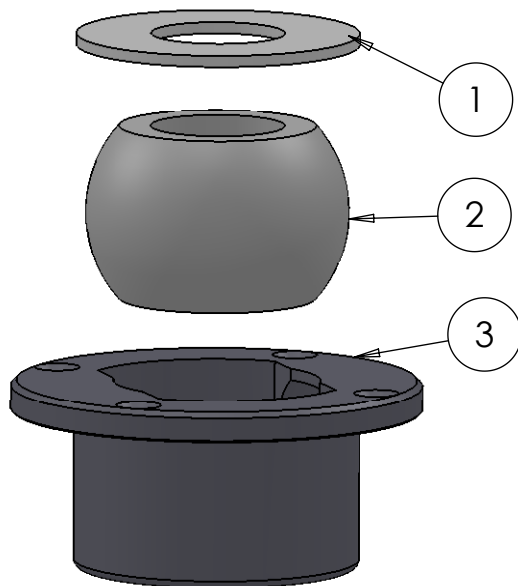
This is the replacement plain bearing ball for the Dehler 36. The ball is too small to accept rollers. Next page shows the alternative replacement top roller bearing with rollers. The last page shows the replacement bottom bearing ball with rollers.



Modify date	Project: Plain bearing ball		 JEFA MARINE A/S NIMBUSVEJ 2 2670 GREVE, DENMARK Tlf.+45-4615 5210 & Fax +45-4615 5208 E-mail info@jefa.com & WWW.jefa.com
Modify date	OD55 x ID34		
Modify date	Scale 1:1	Date 2012-03-15	
Modify date	Material PETP	Drawing no. M13-075	
Modify date	Filename (dwg) M13-075 Ball Ø55xØ34 x H=36		
Modify date	Drawn by J.F.		



SECTION A-A  
SCALE 1 : 1



ITEM NO.	PART NUMBER	PART NAME	/QTY
1	M07-100	Washer $\phi 34.5 \times \phi 75$	1
2	M13-107-34	Ball with rollers for 5T034	1
3	M51-085	House for 5T035-5T040	1

DWG NR / NAME: **5T034 / S-A top Roller bearing  $\phi 34$ mm**

PROJECT: Shaft  $\phi 34$ mm, max working load 1000 kg

DATE: 07-01-2011

NAME: JR

SCALE / PAPER: 1:2 / A4

MATERIAL: WEIGHT: g

LOCATION:

BATCH NR:

REKV.NR / ORDRE NR:

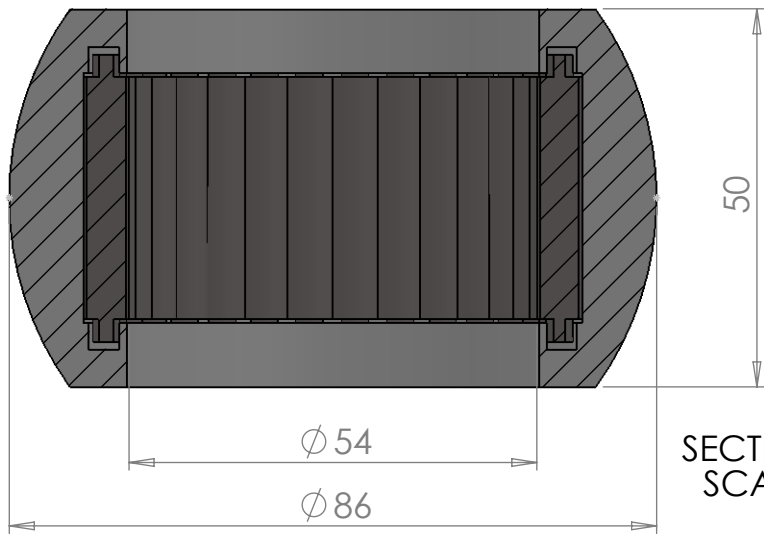
ORDRE DATO:

LEV.DATO:

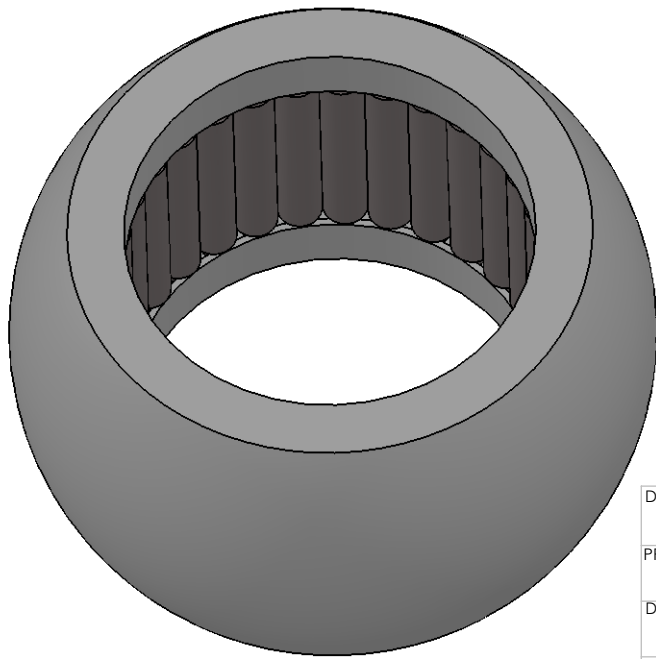
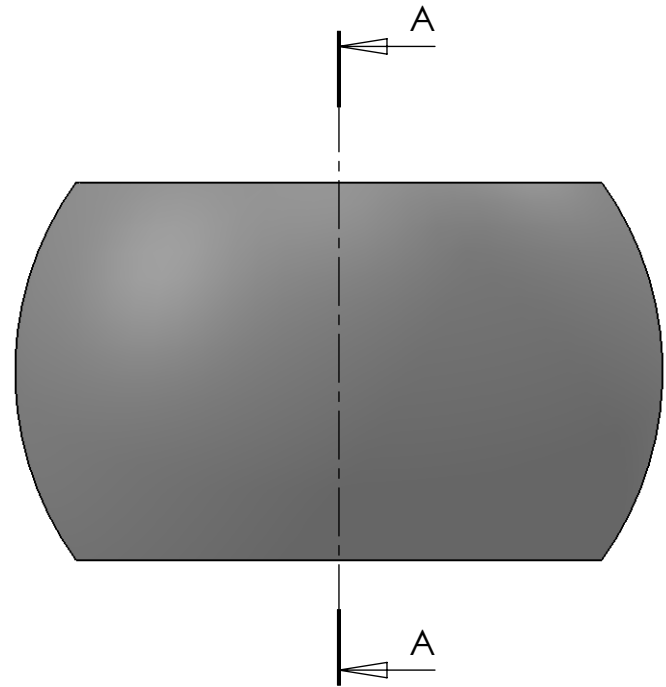
MODIFY DATE: : /A.G. 11.03.2015

*Jefa Rudder*  
SYSTEMS

JEFA MARINE A/S  
NIMBUSVEJ 2  
2670 GREVE. DENMARK  
Tlf: +45 4615 5210 & Fax: +45 46155208  
Email: info@jefa.com www.jefa.com



SECTION A-A  
SCALE 1 : 1



DWG NR / NAME:

**M13-135-54 / Bearing Ball with Rollers**

BATCH NR:

PROJECT:

Shaft 54mm, OD 86mm.

REKV.NR / ORDRE NR:

DATE:

06-04-2011

NAME:

JR

SCALE / PAPER:

1:1 / A4

MATERIAL:

WEIGHT: g

LOCATION:

ORDRE DATO:

MODIFY DATE:

: /

REV:

LEV.DATO:

*Jefa Rudder*  
SYSTEMS

JEFA MARINE A/S  
NIMBUSVEJ 2  
2670 GREVE. DENMARK

Tlf: +45 4615 5210 & Fax: +45 46155208  
Email: info@jefa.com www.jefa.com