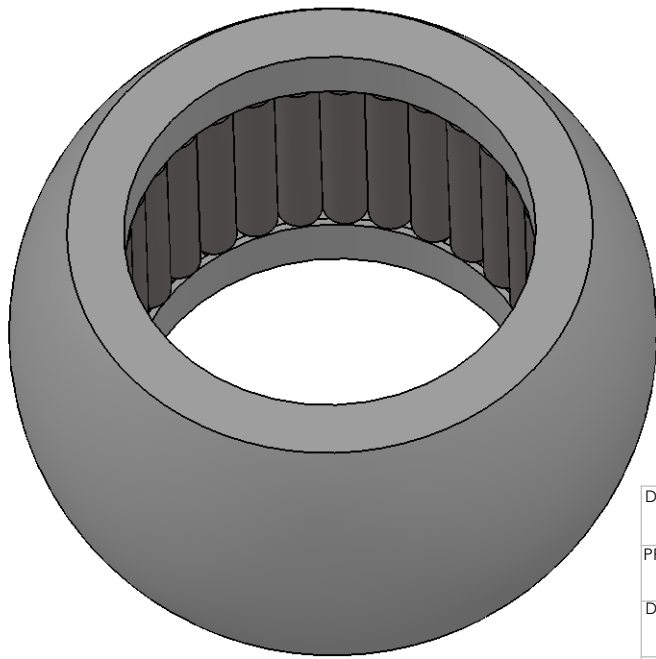
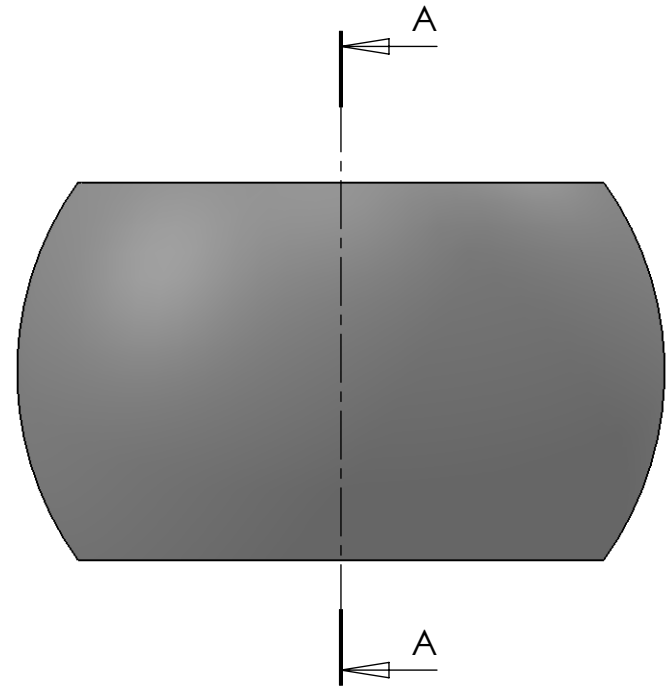


SECTION A-A  
SCALE 1 : 1



DWG NR / NAME:

**M13-135-54 / Bearing Ball with Rollers**

BATCH NR:

PROJECT:

Shaft 54mm, OD 86mm.

REKV.NR / ORDRE NR:

DATE:

06-04-2011

NAME:

JR

SCALE / PAPER:

1:1 / A4

MATERIAL:

WEIGHT: g

LOCATION:

ORDRE DATO:

MODIFY DATE:

: /

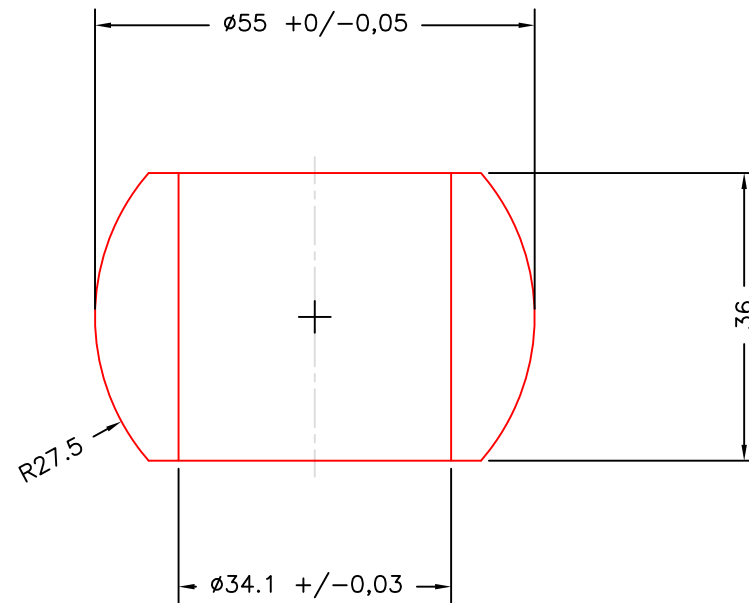
REV:


LEV.DATO:

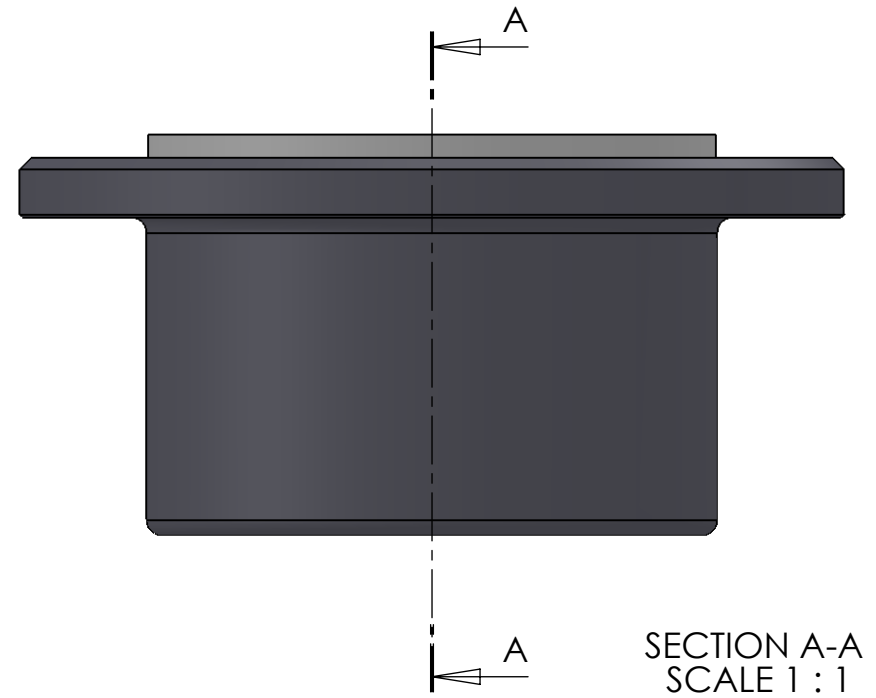
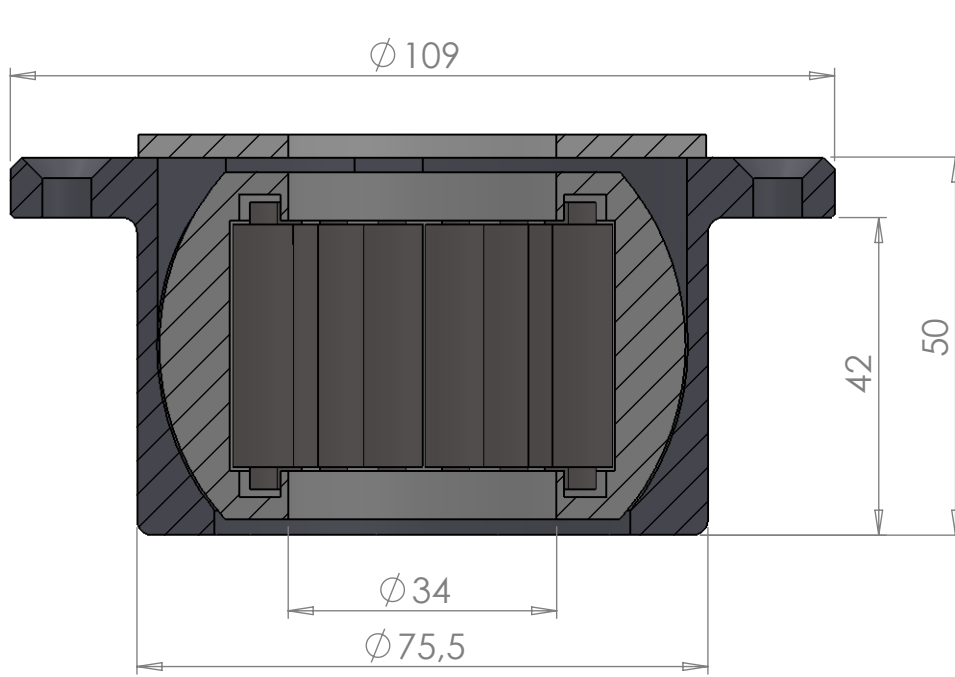
*Jefa Rudder*  
SYSTEMS

JEFA MARINE A/S  
NIMBUSVEJ 2  
2670 GREVE. DENMARK

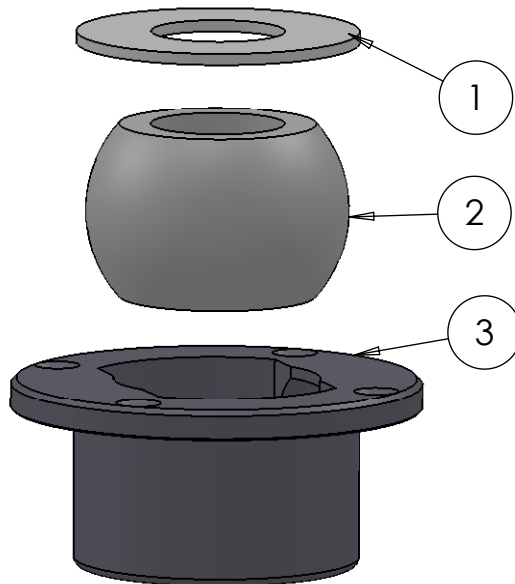
Tlf: +45 4615 5210 & Fax: +45 46155208  
Email: info@jefa.com www.jefa.com




Modify date	Project: Plain bearing ball		 <b>Jefa Rudder</b> SYSTEMS JEFA MARINE A/S NIMBUSVEJ 2 2670 GREVE, DENMARK Tlf.+45-4615 5210 & Fax +45-4615 5208 E-mail info@jefa.com & WWW.jefa.com
Modify date	OD55 x ID34		
Modify date	Scale 1:1	Date 2012-03-15	
Modify date	Material PETP	Drawing no. M13-075	
Modify date	Filename (dwg) M13-075 Ball Ø55xØ34 x H=36		
Modify date	Drawn by J.F.		



Alternative self-aligning top rollerbearing for original gliding bearing.



ITEM NO.	PART NUMBER	PART NAME	/QTY
1	M07-100	Washer $\varnothing 34.5 \times \varnothing 75$	1
2	M13-107-34	Ball with rollers for 5T034	1
3	M51-085	House for 5T035-5T040	1

DWG NR / NAME: <b>5T034 / S-A top Roller bearing <math>\varnothing 34</math>mm</b>				BATCH NR:		 <b>Jefa Rudder</b> SYSTEMS JEFA MARINE A/S NIMBUSVEJ 2 2670 GREVE. DENMARK Tlf: +45 4615 5210 & Fax: +45 46155208 Email: info@jefa.com www.jefa.com
PROJECT: Shaft $\varnothing 34$ mm, max working load 1000 kg				REKV.NR / ORDRE NR:		
DATE: 07-01-2011	NAME: JR	SCALE / PAPER: 1:2 / A4	MATERIAL: WEIGHT: g	LOCATION:	ORDRE DATO:	
MODIFY DATE:	: /A.G. 11.03.2015			REV:	LEV.DATO:	