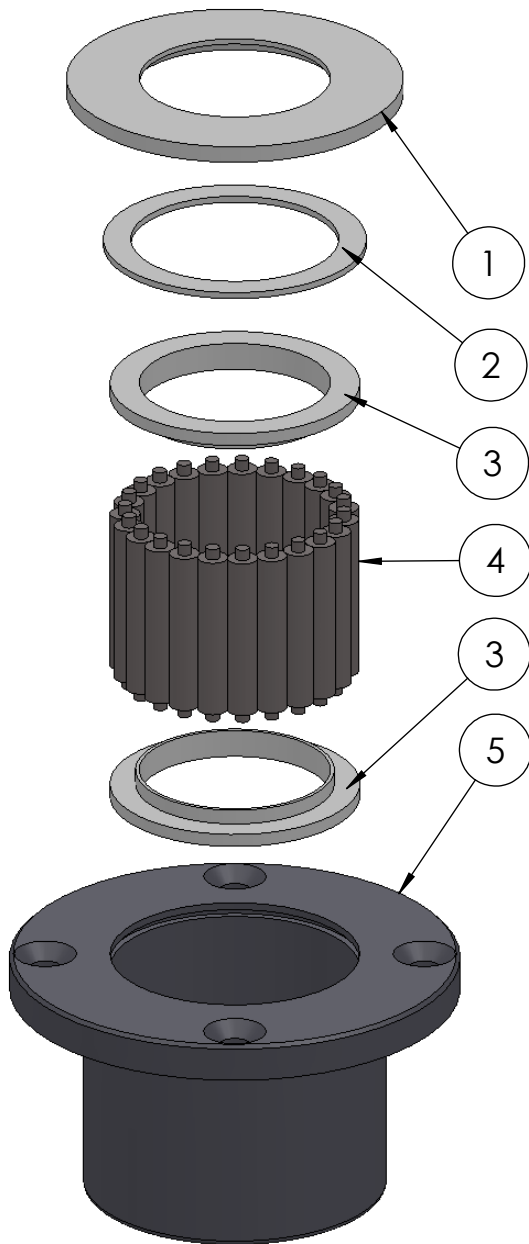
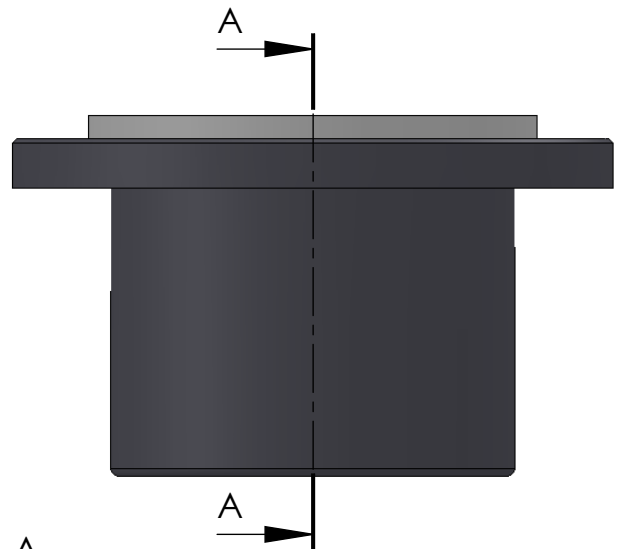


SECTION A-A
SCALE 1 : 1.5



ITEM NO.	PART NUMBER	PART NAME	EXPL /QTY
1	M07-116	Washer ø50.5 x ø89	1
2	M03-197	Delrin Lockring ø69,5 x ø55 x 1,75mm	1
3	M05-128	L-ring ø50 x ø52.5 ø65	2
4	M01-201	Roller ø8 x 44mm	23
5	M23-120	Top roller bearing house	1

DWG NR / NAME:

42050 / Top roller bearing

BATCH NR:

PROJECT:

Shaft ø50mm, Max working load 2500kg

REKV.NR / ORDRE NR:

DATE:
25-05-2009

NAME:
JR

SCALE / PAPER:
1:2 / A4

MATERIAL:
WEIGHT: g

LOCATION:

ORDRE DATO:

MODIFY DATE:

: /

REV:

LEV.DATO:

Jefa Rudder
SYSTEMS

JEFA MARINE A/S
NIMBUSVEJ 2
2670 GREVE, DENMARK

Tlf: +45 4615 5210 & Fax: +45 4615208
Email: info@jefa.com www.jefa.com