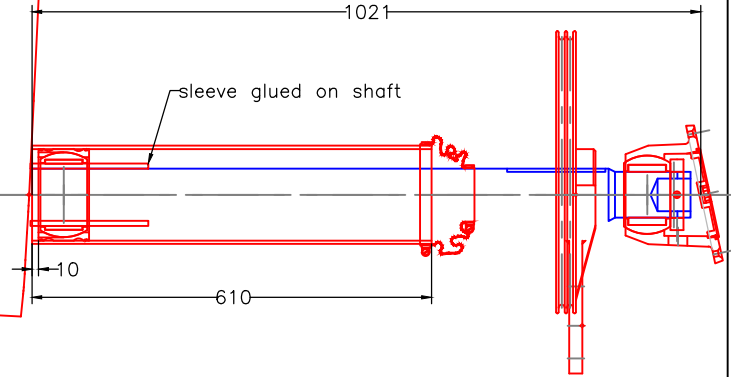
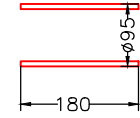
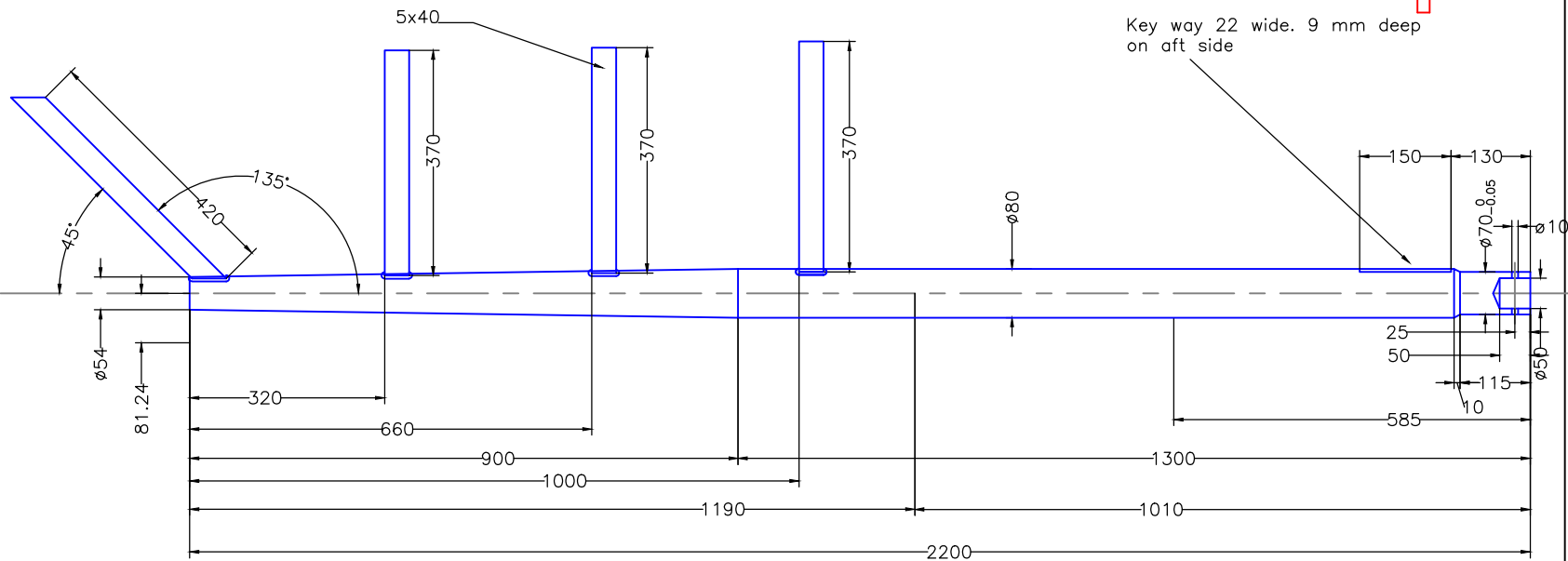


RUD46



sleeve glued on shaft

Key way 22 wide. 9 mm deep on aft side



| |
|---|
| Modify date: 2006-08-21 Length changed |
| Modify date: 2008-02-05 Spokes and bottom dia. changed |
| Modify date |
| Modify date |
| Modify date |
| Modify date |

| | |
|---|------------------|
| Project: Delphia 47 2017 single rudder version. | |
| Scale: 1:10 | Date: 18-06-2014 |
| Material: AISI 630 | Drawing no. |
| Filename (dwg): Delphia-47-SR-JEFA-V3.dwg | |
| Drawn by: A.G. | |

Jefa Rudder
SYSTEMS

JEFA MARINE A/S
NIMBUSVEJ 2
2670 GREVE, DENMARK
Tlf. +45-4615 5210 & Fax +45-4615 5208
E-mail info@jefa.com & WWW.jefa.com