
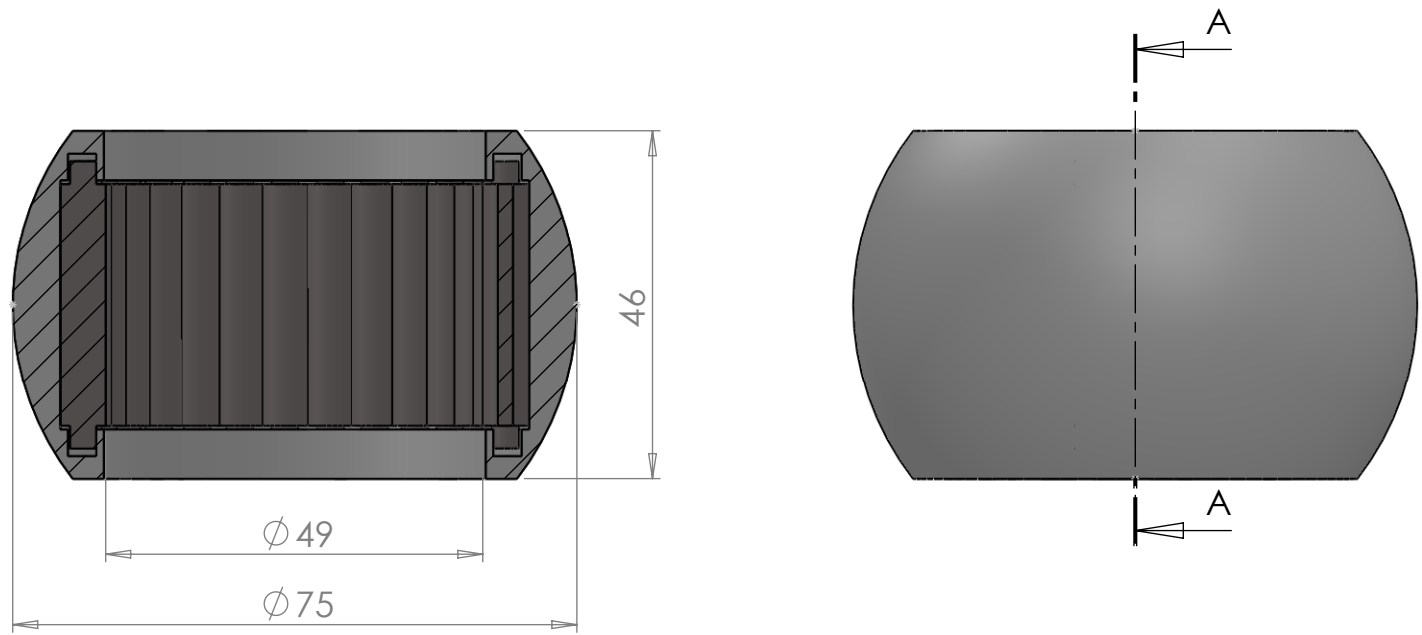
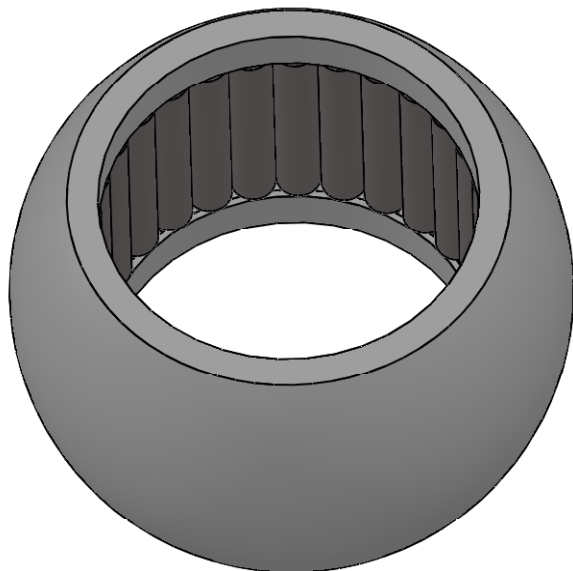


Modify date	Project: Plain bearing ball		 <b>Jefa Rudder</b> SYSTEMS JEFA MARINE A/S NIMBUSVEJ 2 2670 GREVE, DENMARK Tlf.+45-4615 5210 & Fax +45-4615 5208 E-mail info@jefa.com & WWW.jefa.com
Modify date	OD55 x ID34		
Modify date	Scale 1:1	Date 2012-03-15	
Modify date	Material PETP	Drawing no. M13-075	
Modify date	Filename (dwg) M13-075 Ball Ø55xØ34 x H=36		
Modify date	Drawn by J.F.		



SECTION A-A  
SCALE 1 : 1



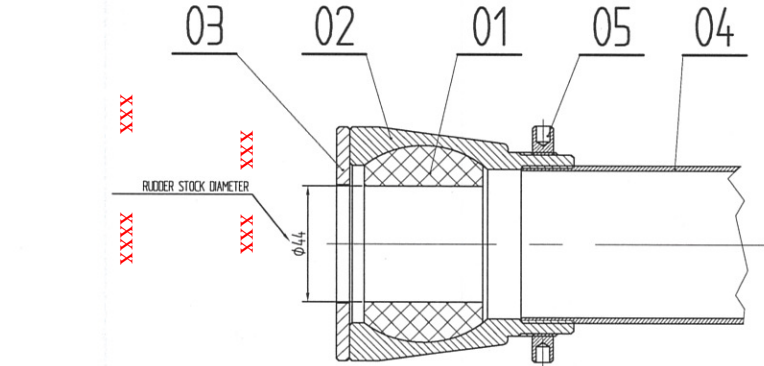
DWG NR / NAME: <b>M13-125-49 / Bearing Ball with Rollers</b>				BATCH NR:	
PROJECT: Shaft 49mm, OD 75mm.				REKV.NR / ORDRE NR:	
DATE: 06-04-2011	NAME: JR	SCALE / PAPER: 1:1 / A4	MATERIAL: PETP WEIGHT: g	LOCATION:	ORDRE DATO:
MODIFY DATE: : /				REV:	LEV.DATO:

*Jefa Rudder*  
S Y S T E M S

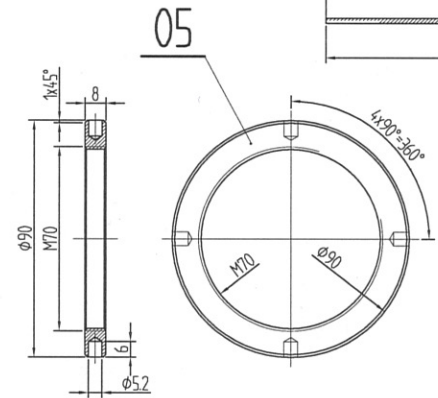
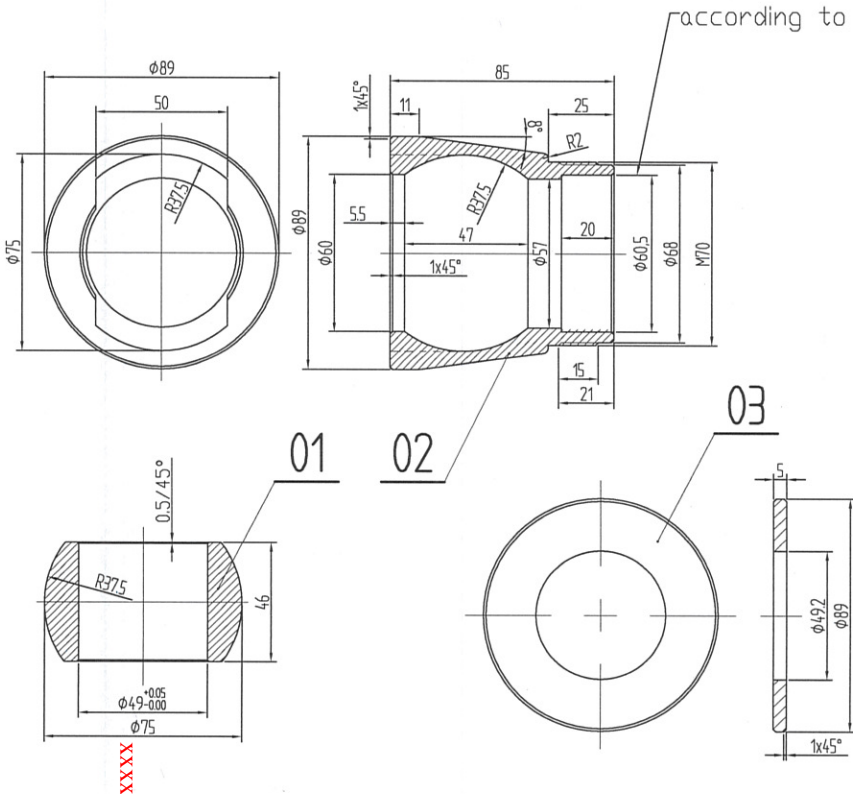
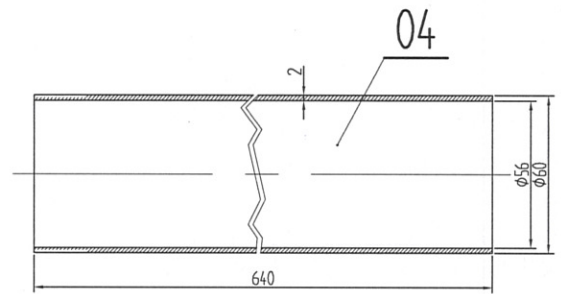
JEFA MARINE A/S  
NIMBUSVEJ 2  
2670 GREVE. DENMARK  
Tlf: +45 4615 5210 & Fax: +45 46155208  
Email: info@jefa.com www.jefa.com

SPREMEMBE / REVISIONS			
Verzija / Version	Datum / Date	Opis spremembe / Revision description	Ime / Name
01	24-01-02	IZDELAN NACRT / DRAWING MADE	ZUPAN
02	29-06-02	NEW DRAWING	ZUPAN
03	24-02-04	NEW DRAWING	Nace BISKUP

# VIEW ASSEMBLY



07176 164800 M.  
02380 560413 H  
Frame - Brookes



## SEAWAY

Pot na Listu 2, 4280 Bled, Slovenija  
Tel.: +386 4574 1225, Fax: +386 4574 1425  
E Mail: info@seaway.si

Poz. Pos.	Naziv Title	Kos Nr.	Koda Code	Dimenzije Dimensions	Material Material	Oznaka Sign	Opomba Remarks
5	SCREW NUT	1		ø90/M70x8	AlMgSi1-F28		
4	TUBE	1		ø60/ø56x690	AlMgSi1-F28		
3	WASHER	1		ø89x5	ERTALIT		
2	HOUSING	1		ø89x85	AlMgSi1-F28		
1	BEARING BALL	1		ø75/ø49x46	ERTALIT		

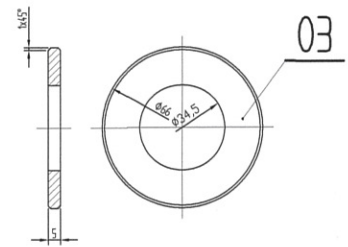
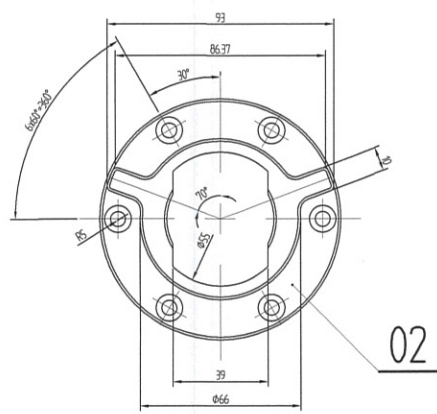
Datum Date	Ime Name	Risba je last podjetja. Neavtorizirana uporaba je prepovedana. Kopije te risbe niso kontrolirane.
24-02-04	Nace Biskup	The content is our copyright property, unauthorized use is not permitted. Copies of this drawing are uncontrolled



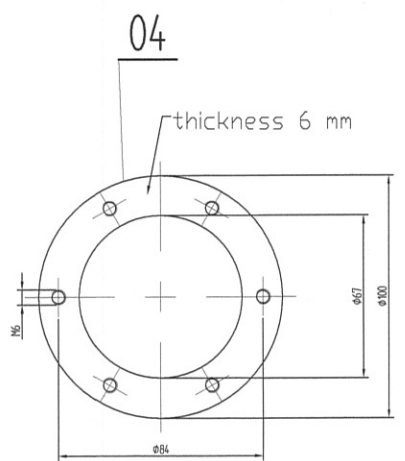
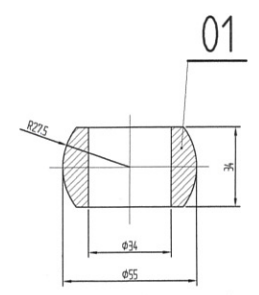
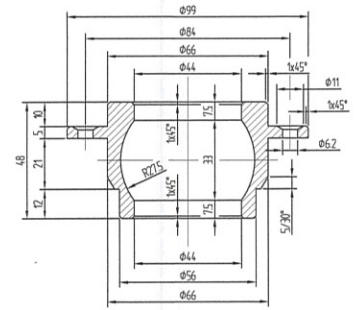
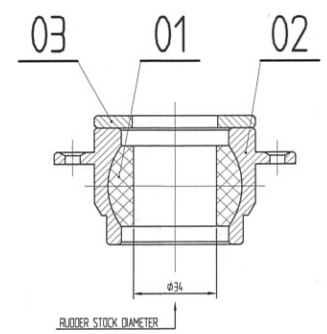
Naslov risbe Title	Merilo Scale	Teza Weight
ELAN - E31 RUDDER ASSEMBLY LOWER BEARING	1:2	
Risba.st.: Drwg. No.:	Koda: Code:	Verzija: Version:
E31 - 16005 - 03.dwg	E31 - 16005	03
Stran 1 od 1 Sheet 1 of 1		Format Size A3

Edited by Foxit Reader  
 Copyright(C) by Foxit Software Company, 2005-2007  
 For Evaluation Only.

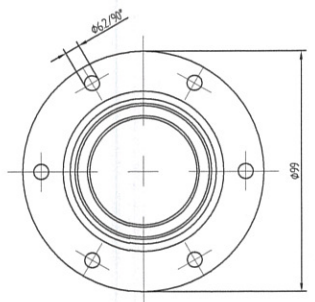
SPREMEMBE / REVISIONS			
Verzija / Version	Datum / Date	Opis spremembe / Revision description	Ime / Name
01	24-01-02	IZDELAN NACRT / DRAWING MADE	IGOR ZUPAN
02	29-06-02	NEW DRAWING	IGOR ZUPAN
03	20-02-04	NEW DRAWING	Nace BISKUP



VIEW ASSEMBLY



JP3 TYPE 10.13.XX




SEAWAY

Pot na Lisice 2, 4260 Bled, Slovenija  
Tel: +386 4574 1225, Fax: +386 4574 1425  
E Mail: info@seaway.si

10.13.03  
046.62. SP68

4	NUT	1		φ100/φ67x6	Al		
3	WASHER	1		φ66x5	ERTALIT		
2	HOUSING	1		φ99x48	AlMgSi1-F28		
1	BEARING BALL	1		φ55x34	ERTALIT		
Poz. Pos.	Naziv Title	Kos Nr.	Koda Code	Dimenzije Dimensions	Material Material	Oznaka Sign	Opomba Remarks

Izdelal / Made by	Datum / Date	Ime / Name	Riaba je last podjetja. Neavtorizirana uporaba je prepovedana. Kopije te risbe niso kontrolirane. The content is our copyright property, unauthorized use is not permitted. Copies of this drawing are uncontrolled.				
	24-01-02	ZUPAN IGOR					
Pregledal / Checked				Merilo / Scale	1:2	Teža / Weight	
Naslov risbe / Title <b>ELAN - E31          RUDDER ASSEMBLY          UPPER BEARING</b>				Material			
Risba.st. / Drwg. No.:	E31 - 16006 - 03.dwg	Koda / Code:	E31 - 16006	Verzija / Version:	03	Stran / Sheet	1 of 1
				Format / Size:	A3		