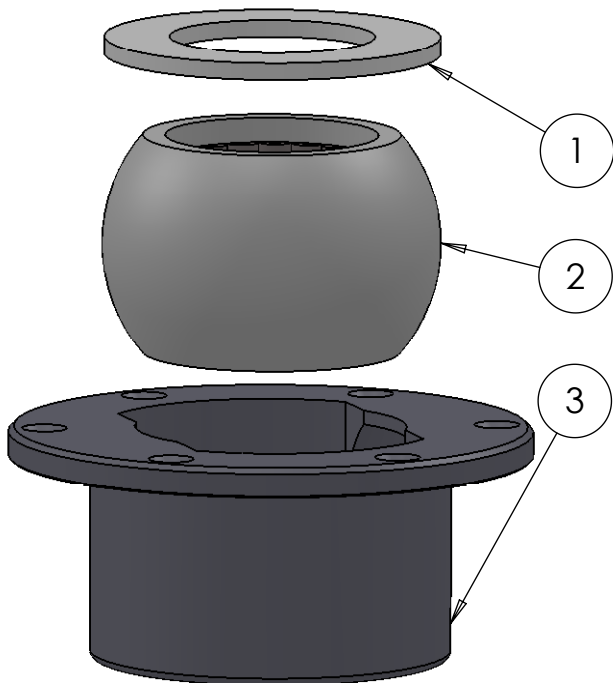
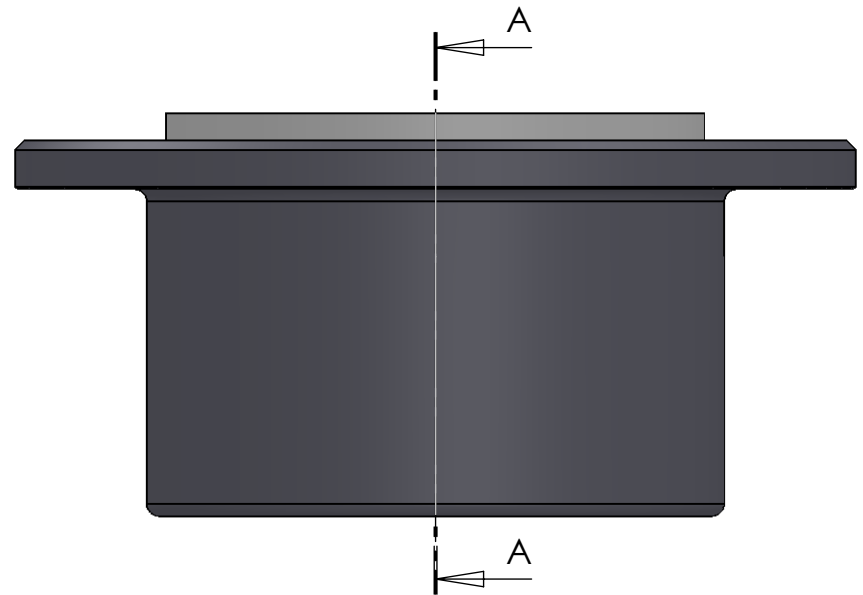



SECTION A-A
SCALE 1 : 1.25



ITEM NO.	PART NUMBER	PART NAME	Default/ QTY.
1	M07-121	Washer $\phi 54.5 \phi 89$	1
2	M13-162-54	Ball with Rollers for 5T054	1
3	M51-101	House for 5T045-5T060	1

DWG NR / NAME: 5T054 / S-A top Roller bearing $\phi 54\text{mm}$				BATCH NR:		 Jefa Rudder SYSTEMS JEFA MARINE A/S NIMBUSVEJ 2 2670 GREVE. DENMARK Tlf: +45 4615 5210 & Fax: +45 46155208 Email: info@jefa.com www.jefa.com
PROJECT: Shaft $\phi 54\text{mm}$, max working load 1900 kg				REKV.NR / ORDRE NR:		
DATE: 07-01-2011	NAME: JR	SCALE / PAPER: 1:2 / A4	MATERIAL: WEIGHT: g	LOCATION:	ORDRE DATO:	
MODIFY DATE: : /				REV:	LEV.DATO:	

A

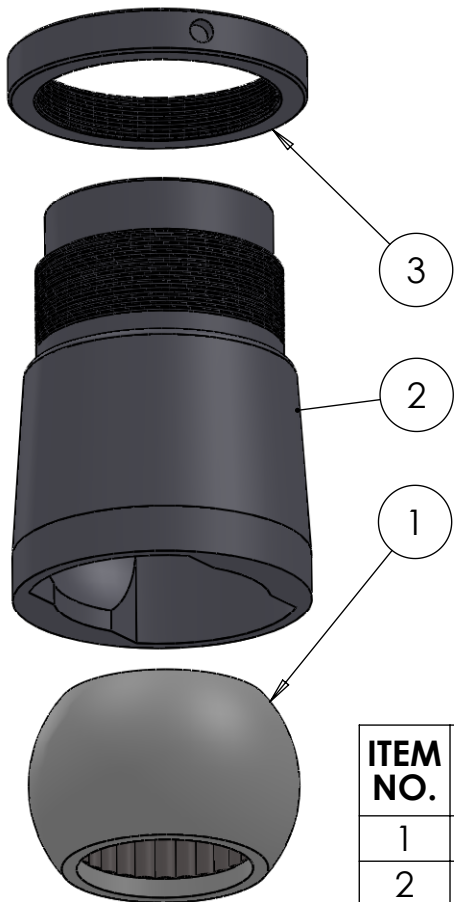
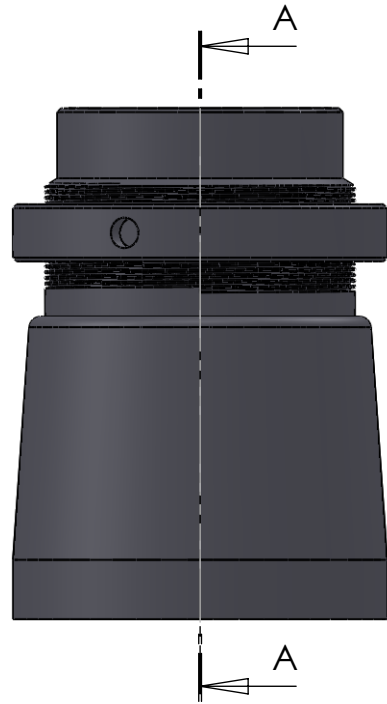
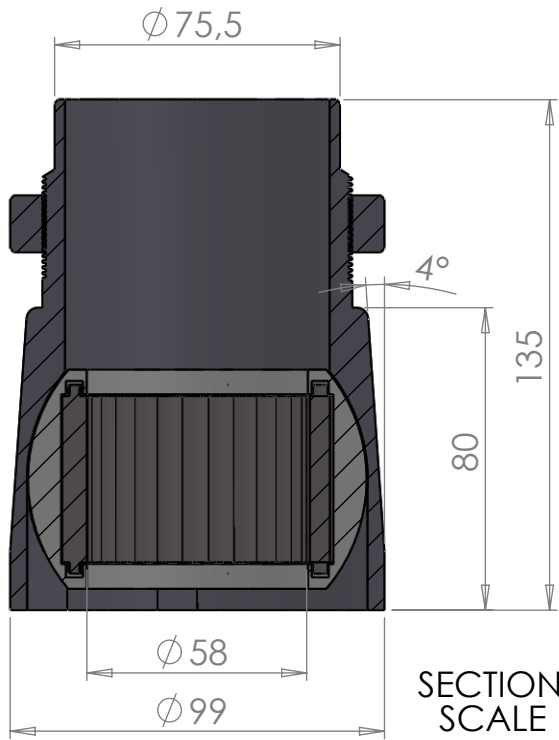
B

C

D

E

F



ITEM NO.	PART NUMBER	PART NAME	QTY.
1	M13-163-58	Ball with Rollers for 5T058	1
2	M53-105	House for 5BT046-5BT060	1
3	M54-105	Nut M82x2	1

DWG NR / NAME: **5BT058 / Conical SA lower roller bearing**

PROJECT: For ø58mm shaft, max working load 1900 kg

DATE: 29.09.2011 NAME: JR SCALE / PAPER: 1:2.5 / A4 MATERIAL: WEIGHT: g LOCATION:

MODIFY DATE: : /

BATCH NR:

REKV.NR / ORDRE NR:

ORDRE DATO:

LEV.DATO:

Jefa Rudder
SYSTEMS

JEFA MARINE A/S
NIMBUSVEJ 2
2670 GREVE, DENMARK

Tlf: +45 4615 5210 & Fax: +45 46155208
Email: info@jefa.com www.jefa.com