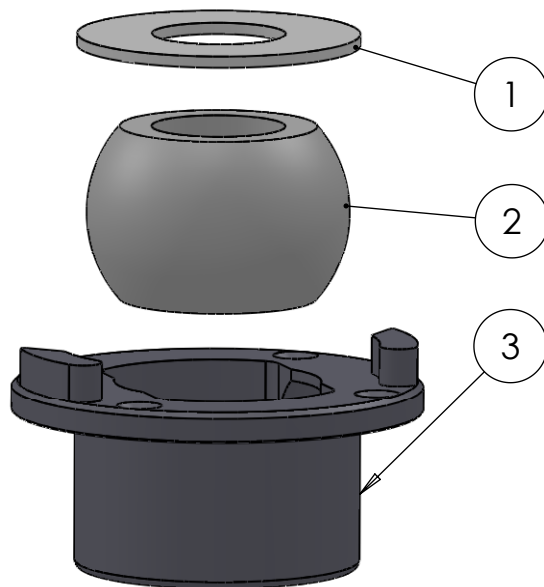
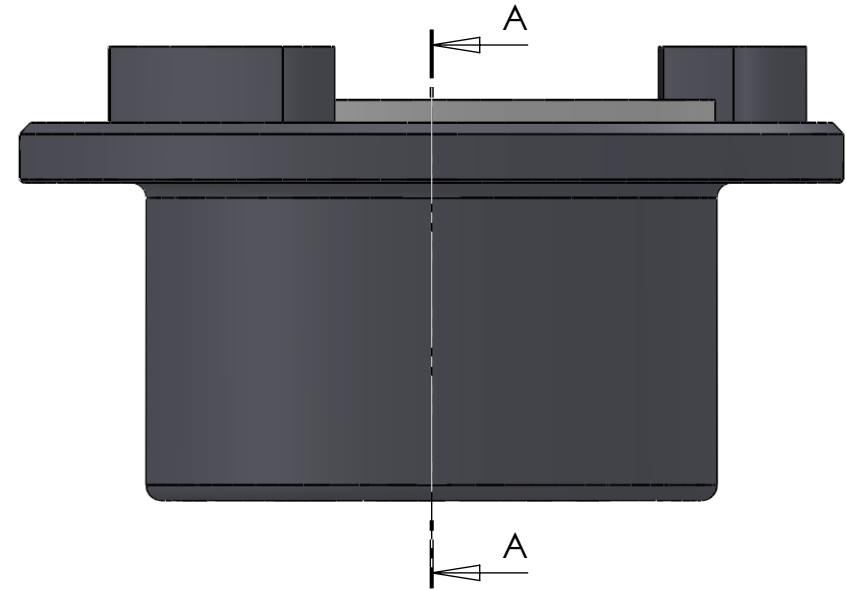


SECTION A-A  
SCALE 1 : 1



ITEM NO.	PART NUMBER	PART NAME	Default/ QTY.
1	M07-101	Washer $\varnothing 35 \times \varnothing 75$	1
2	M13-107-35	Ball with rollers for 5T035	1
3	M51-091	House for 5T035STP-5T040STP	1

DWG. NR. / NAME:

**5T035STP / S-A top Roller bearing w. stop  $\varnothing 35\text{mm}$**

BATCH NR:

PROJECT:

Shaft  $\varnothing 35\text{mm}$ , max working load 1280 kg

REKV. NR / ORDRE NR:

DATE:

07-01-2011

NAME:

JR

SCALE / PAPER:

1:5 / A4

MATERIAL:

WEIGHT: g

LOCATION:

REV:

ORDRE DATO:

LEV. DATO:

MODIFY DATE:

: /

*Jefa Rudder*  
SYSTEMS

JEFA MARINE A/S  
NIMBUSVEJ 2  
2670 GREVE, DENMARK

Tlf: +45 4615 5210 & Fax: +45 46155208  
Email: info@jefa.com www.jefa.com