

ITEM NO.	PART NUMBER	PART NAME	QTY.
1	M01-240	Roller $\phi 10.5 \times 44\text{mm}$	13
2	M03-191	Delrin Lockring $\phi 59,5 \times \phi 46 \times 1,75\text{mm}$	1
3	M05-101	L-ring $\phi 35 \times \phi 55$	2
4	M07-101	Washer $\phi 35 \times \phi 75$	1
5	M23-101	Top roller bearing house	1

DWG NR / NAME:

42035 / Top roller bearing

BATCH NR:

PROJECT:

Shaft  $\phi 35\text{mm}$ , Max working load 2000kg

REKV.NR / ORDRE NR:

DATE:  
07-04-2009NAME:  
KJSCALE / PAPER:  
1:2 / A4MATERIAL:  
WEIGHT:

g

LOCATION:

ORDRE DATO:

MODIFY DATE:

: /

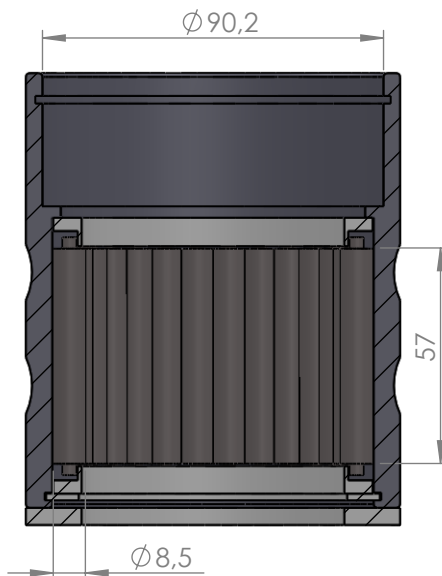
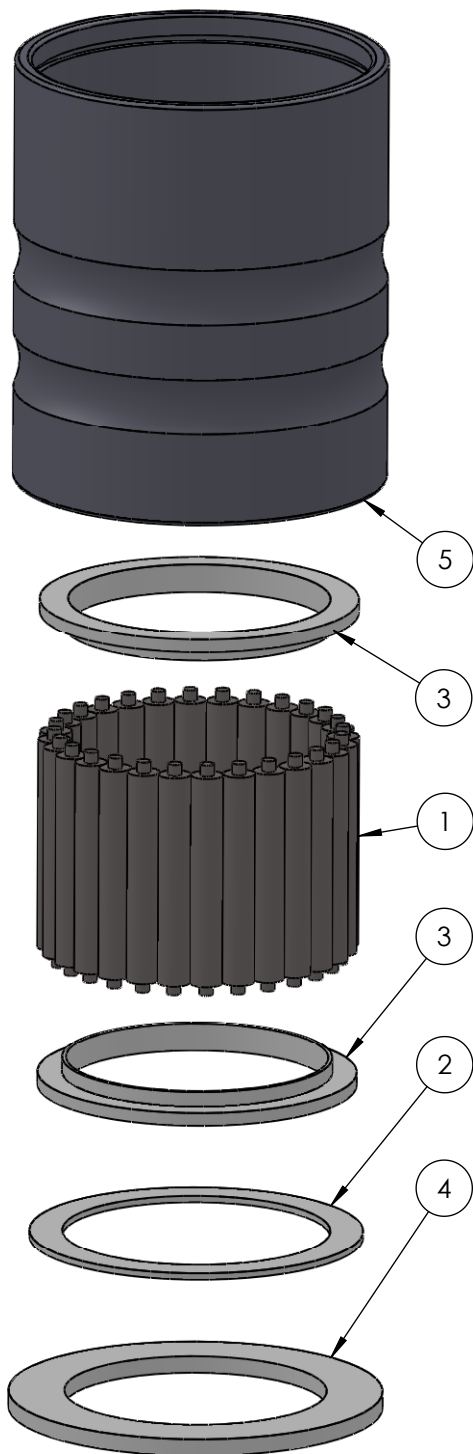
REV:

LEV.DATO:

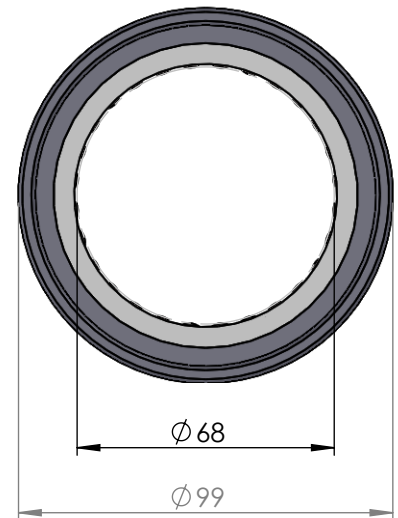
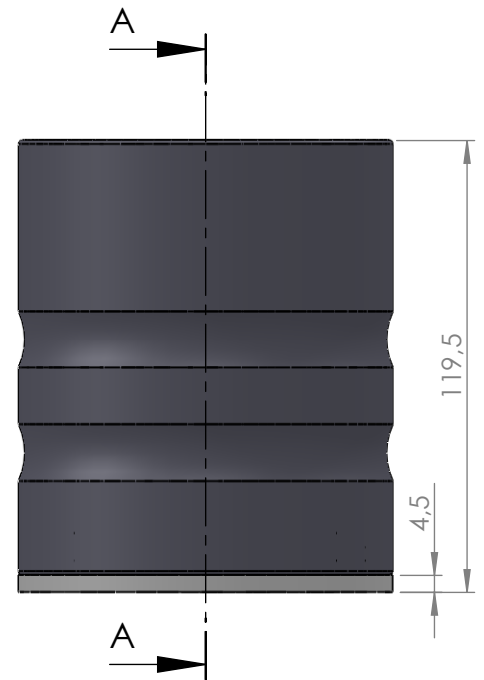
*Jefa Rudder*  
SYSTEMS

JEFA MARINE A/S  
NIMBUSVEJ 2  
2670 GREVE. DENMARK

Tlf: +45 4615 5210 & Fax: +45 4615 5208  
Email: info@jefa.com www.jefa.com



SECTION A-A



ITEM NO.	PART NUMBER	PART NAME	QTY.
1	M01-308	Roller $\phi 8.5 \times 57\text{mm}$	28
2	M03-207	Lockring $\phi 71 \phi 89$	1
3	M05-170	L-ring $\phi 69 \phi 71.5 \phi 85$	2
4	M07-143	Washer $\phi 69.5 \phi 99$	1
5	M21-107	Rollerbearing $\phi 60 - \phi 69\text{mm}$	1

DWG NR / NAME:

**41068 / Lower roller bearing**

BATCH NR:

PROJECT:

Shaft  $\phi 68\text{mm}$ , Max working load 4500kg

REKV.NR / ORDRE NR:

DATE:

11-06-2009

NAME:

JR

SCALE / PAPER:

1:2 / A4

MATERIAL:

WEIGHT:

g

LOCATION:

ORDRE DATO:

MODIFY DATE:

: /

REV:

LEV.DATO:

*Jefa Rudder*  
SYSTEMS

JEFA MARINE A/S  
NIMBUSVEJ 2  
2670 GREVE, DENMARK

Tlf: +45 4615 5210 & Fax: +45 46155208  
Email: info@jefa.com www.jefa.com