

ITEM NO.	PART NUMBER	PART NAME	EXPL /QTY
1	M01-201	Roller ø8 x 44mm	23
2	M03-195	Delrin Lockring ø68,5 x ø51 x 1,75mm	1
3	M05-128	L-ring ø50 x ø52.5 ø65	2
4	M07-116	Washer ø50.5 x ø89	1
5	M23-120	Top roller bearing house	1

DWG NR / NAME:

42050 / Top roller bearing

BATCH NR:

PROJECT:

Shaft ø50mm, Max working load 2500kg

REKV.NR / ORDRE NR:

DATE:
25-05-2009NAME:
JRSCALE / PAPER:
1:2 / A4MATERIAL:
WEIGHT: g

LOCATION:

ORDRE DATO:

MODIFY DATE:

: /

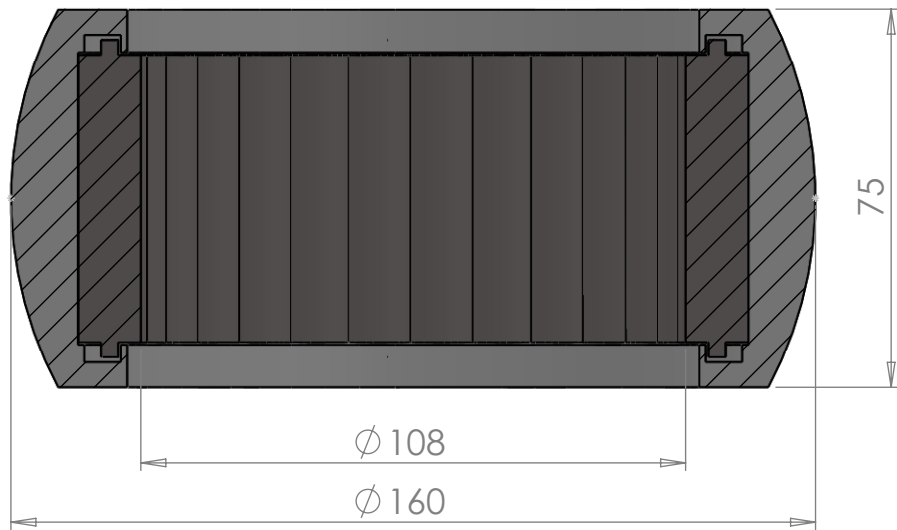
REV:

LEV.DATO:

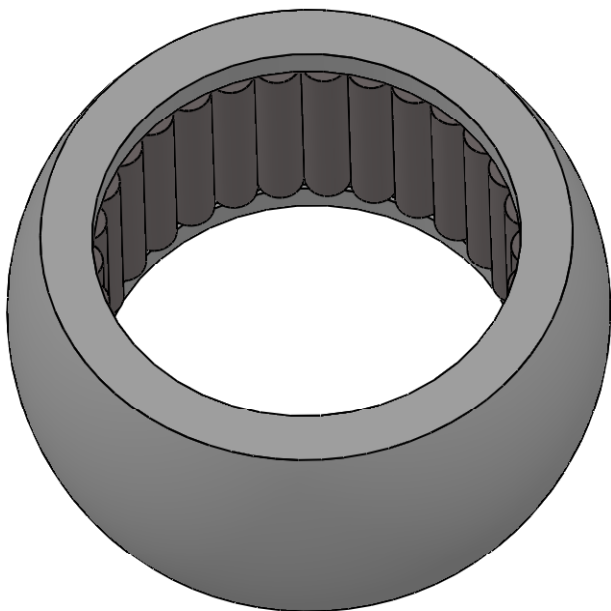
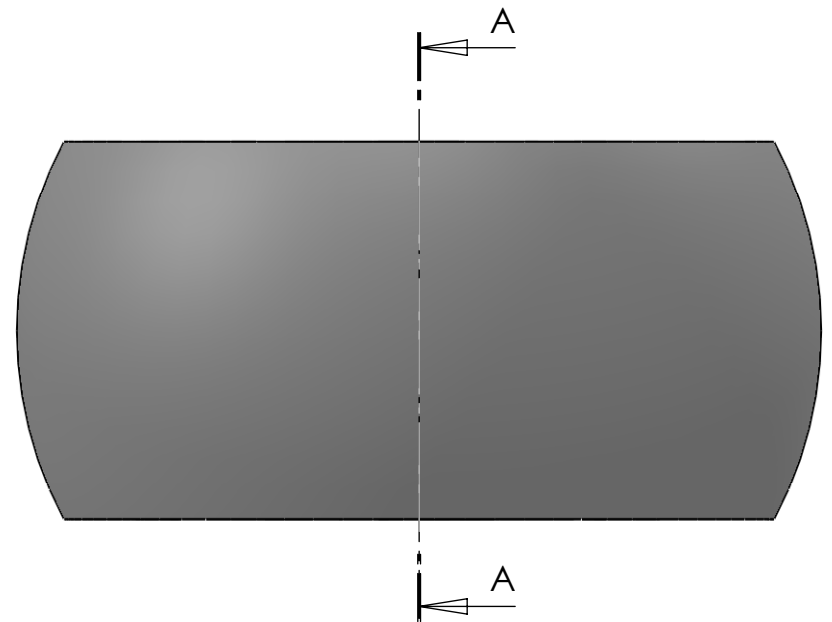
Jefa Rudder
SYSTEMS


JEFA MARINE A/S
NIMBUSVEJ 2
2670 GREVE, DENMARK

Tlf: +45 4615 5210 & Fax: +45 4615208
Email: info@jefa.com www.jefa.com



SECTION A-A
SCALE 1 : 1.5



DWG NR / NAME: M13-464-108 / Bearing Ball with Rollers				BATCH NR:		 JEFA MARINE A/S NIMBUSVEJ 2 2670 GREVE, DENMARK Tlf: +45 4615 5210 & Fax: +45 46155208 Email: info@jefa.com www.jefa.com
PROJECT: Shaft 108mm, OD 160mm.				REKV.NR / ORDRE NR:		
DATE: 06-04-2011	NAME: JR	SCALE / PAPER: 1:2 / A4	MATERIAL: PETP	LOCATION:	ORDRE DATO:	
MODIFY DATE: : /			WEIGHT: g	REV:	LEV.DATO:	