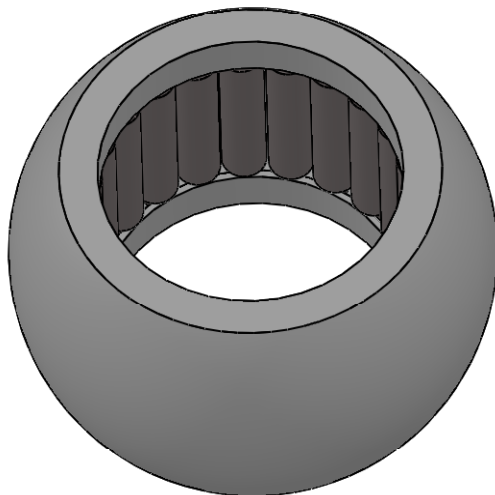
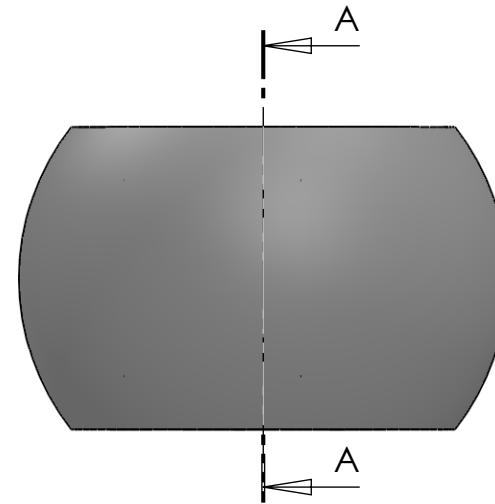

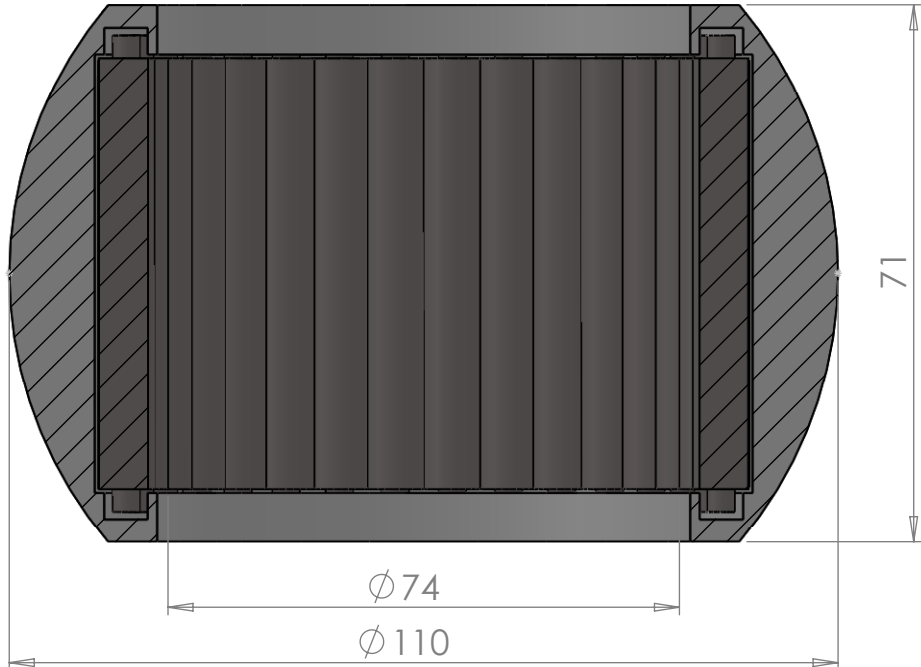


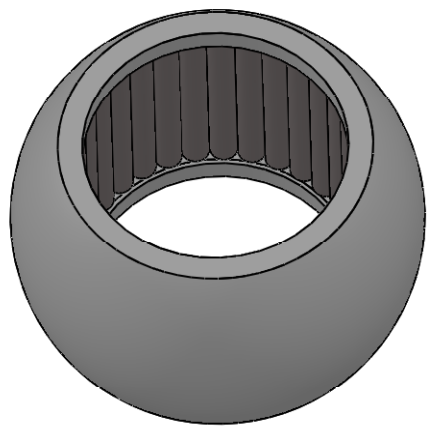
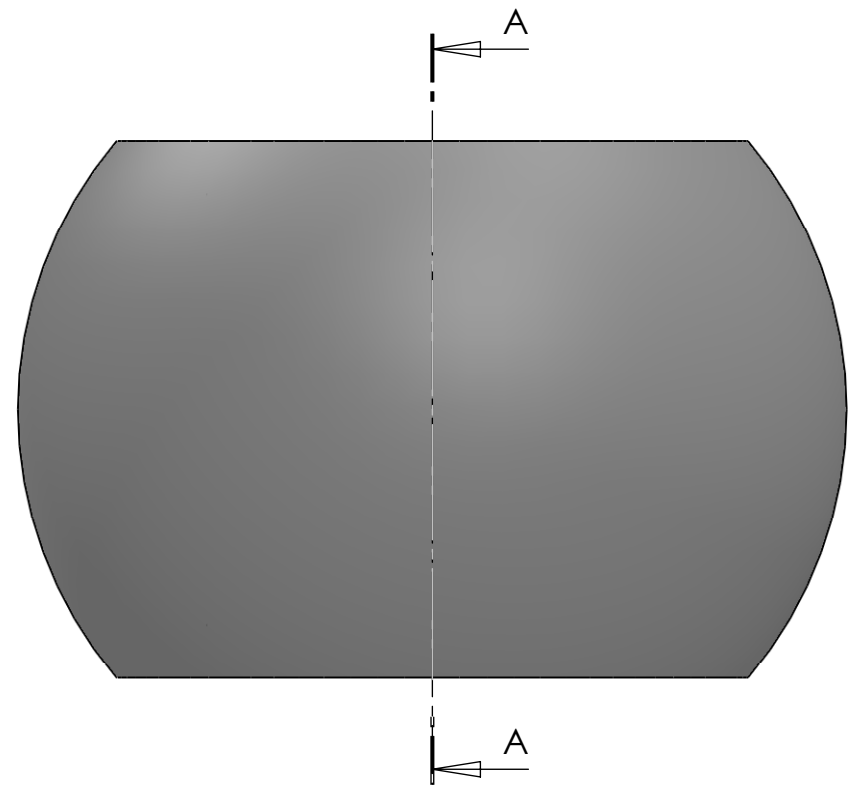
SECTION A-A



DWG NR / NAME: M13-095-40 / Bearing Ball with Rollers				BATCH NR:		 Jefa Rudder SYSTEMS JEFA MARINE A/S NIMBUSVEJ 2 2670 GREVE. DENMARK Tlf: +45 4615 5210 & Fax: +45 46155208 Email: info@jefa.com www.jefa.com
PROJECT: Shaft 40mm, OD 65mm.				REKV.NR / ORDRE NR:		
DATE: 06-04-2011	NAME: JR	SCALE / PAPER: 1:1 / A4	MATERIAL: PETP	LOCATION:	ORDRE DATO:	
MODIFY DATE: : /			WEIGHT: g	REV:	LEV.DATO:	



SECTION A-A
SCALE 1 : 1



DWG NR / NAME: M13-210-AB-74 / Bearing Ball with Rollers				BATCH NR:	
PROJECT: Shaft 74mm, OD 110mm.				REKV.NR / ORDRE NR:	
DATE: 06-04-2011	NAME: JR	SCALE / PAPER: 1:2 / A4	MATERIAL: PETP	LOCATION:	ORDRE DATO:
MODIFY DATE: 23.02.2015 A.G./			WEIGHT: g	REV:	LEV.DATO:

Jefa Rudder
S Y S T E M S

JEFA MARINE A/S
NIMBUSVEJ 2
2670 GREVE. DENMARK
Tlf: +45 4615 5210 & Fax: +45 46155208
Email: info@jefa.com www.jefa.com