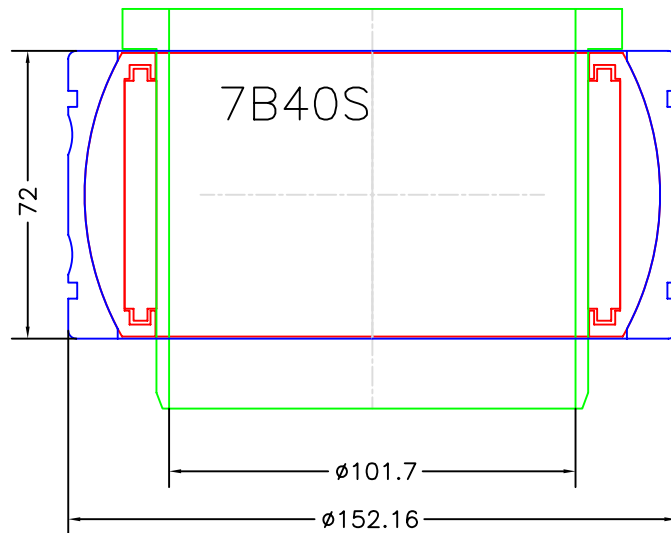
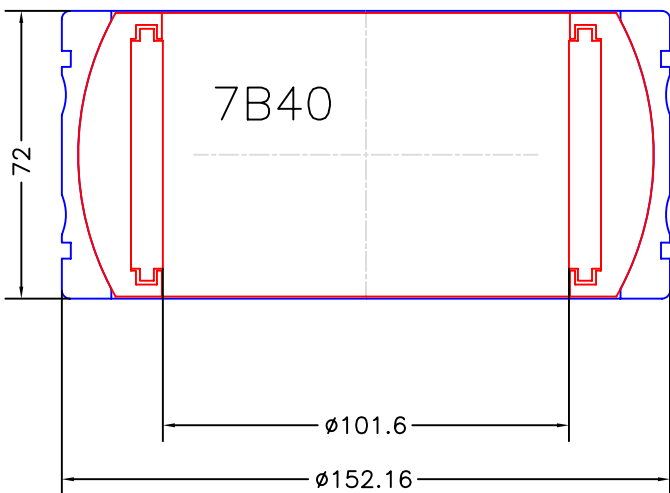
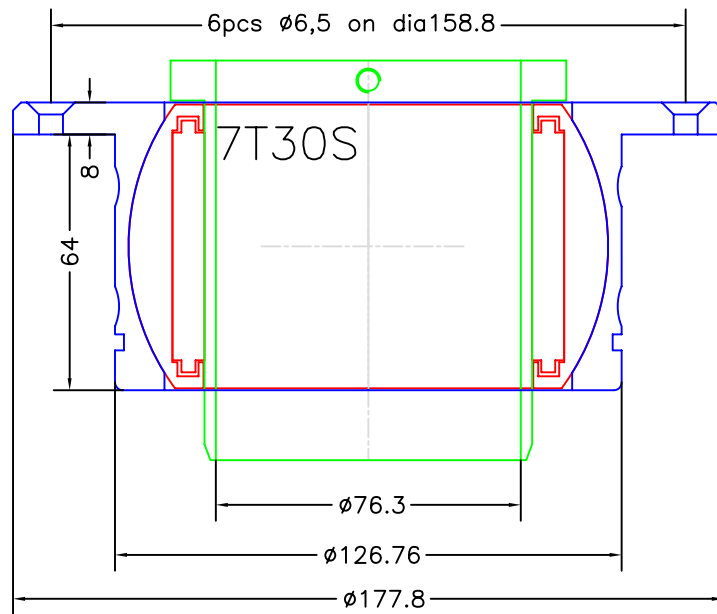
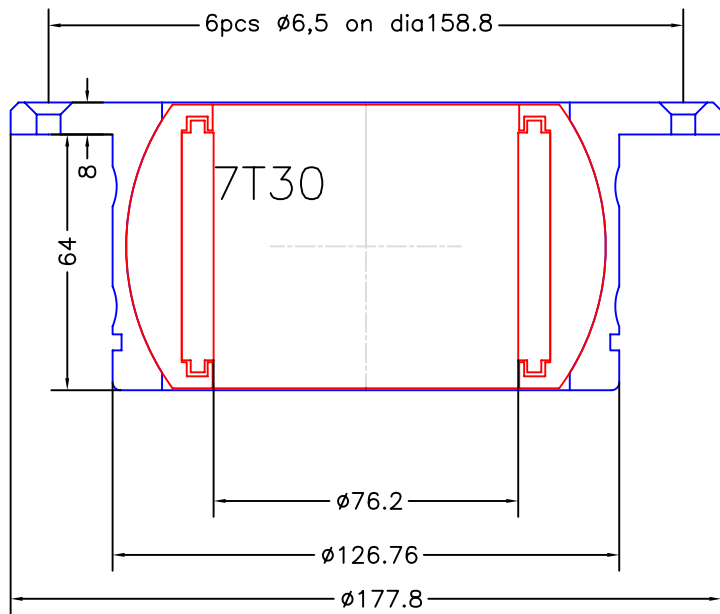


Use these bearings when the rudderstock have a good surface, and the dimensions on the stock is 76,2mm and 101,6mm +0/-0,08



Use these bearings when the rudderstock have a rough surface,

Modify date	Project: J-33	
Modify date	Retrofit rudder bearings	
Modify date	Scale 1:2	Date 2008-06-13
Modify date	Material -	Drawing no. -
Modify date	Filename J33 retrofit (dwg)	
Modify date	Drawn by J.F.	

Jefa Rudder
SYSTEMS

JEFA MARINE A/S
NIMBUSVEJ 2
2670 GREVE, DENMARK
Tlf. +45-4615 5210 & Fax +45-4615 5208
E-mail info@jefa.com & WWW.jefa.com