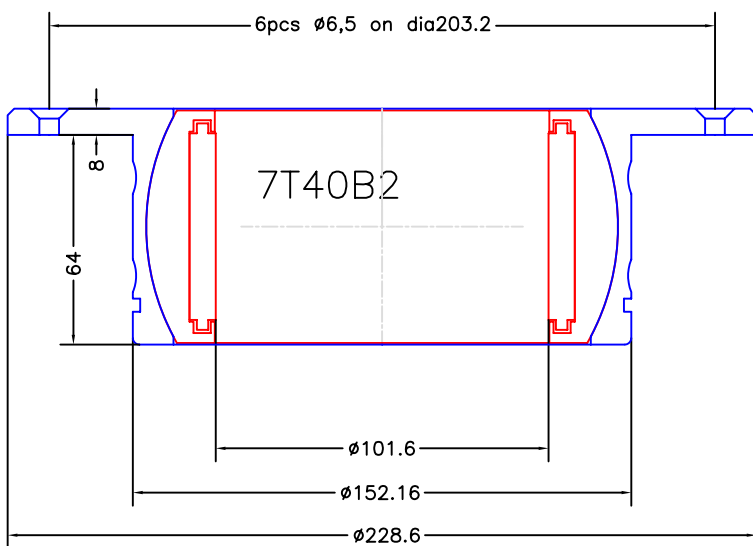
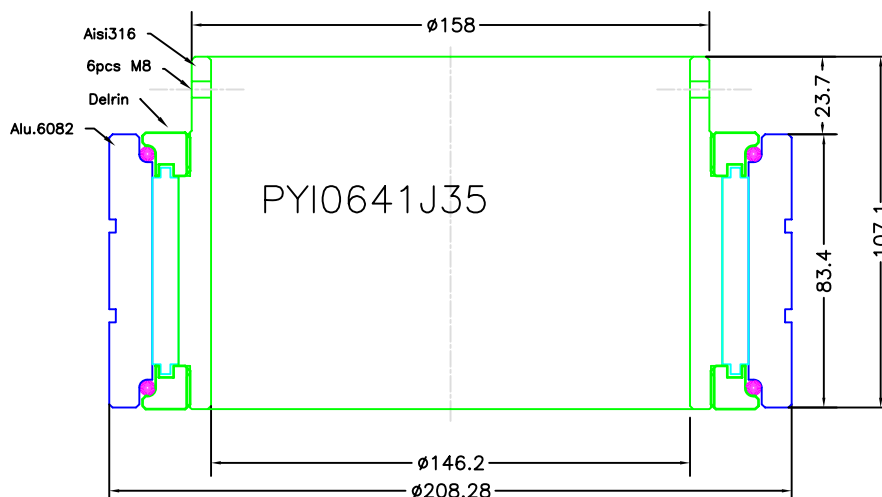
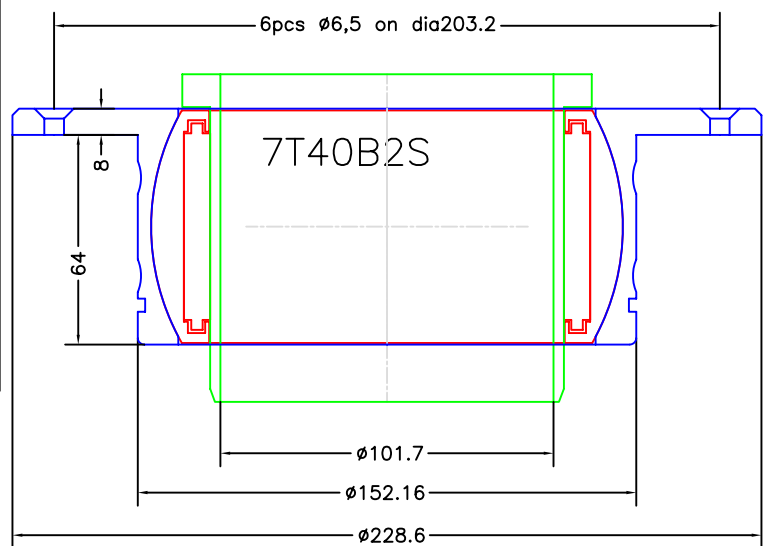



Use this bearing
when the rudderstock
have a good surface,
and the dimension
on the stock is
101,6mm +0/-0,08



Use this bearing
when the rudderstock
have a rough surface,



Modify date	Project: J-34	Date 2008-06-13	 JEFA MARINE A/S NIMBUSVEJ 2 2670 GREVE, DENMARK Tlf. +45-4615 5210 & Fax +45-4615 5208 E-mail info@jefa.com & WWW.jefa.com
Modify date	Retrofit rudder bearings		
Modify date	Scale 1:2	Drawing no. —	
Modify date	Material —		
Modify date	Filename (dwa) J34 retrofit		
Modify date	Drawn by J.F.		