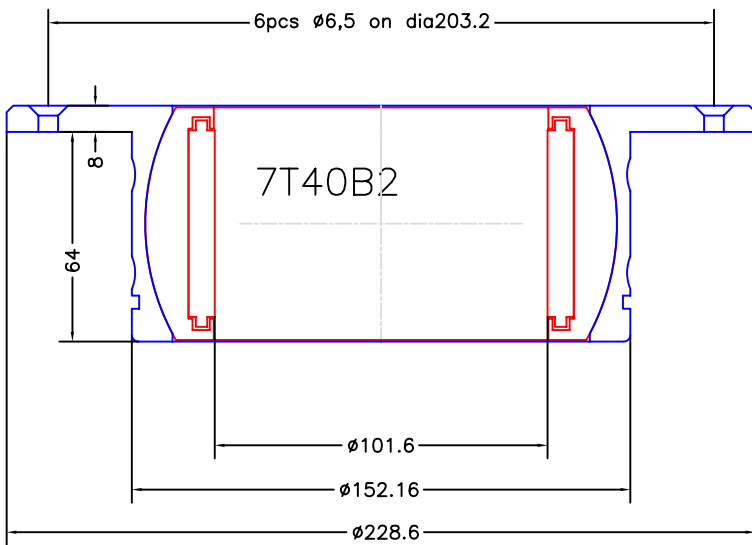
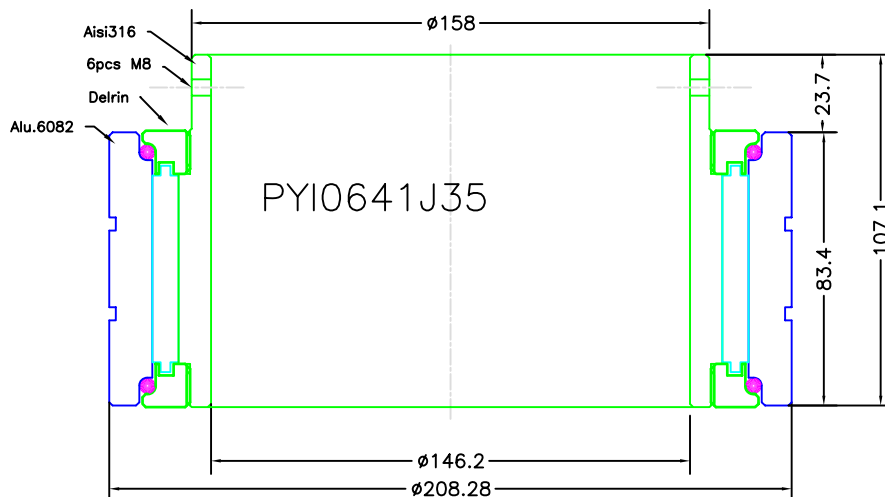
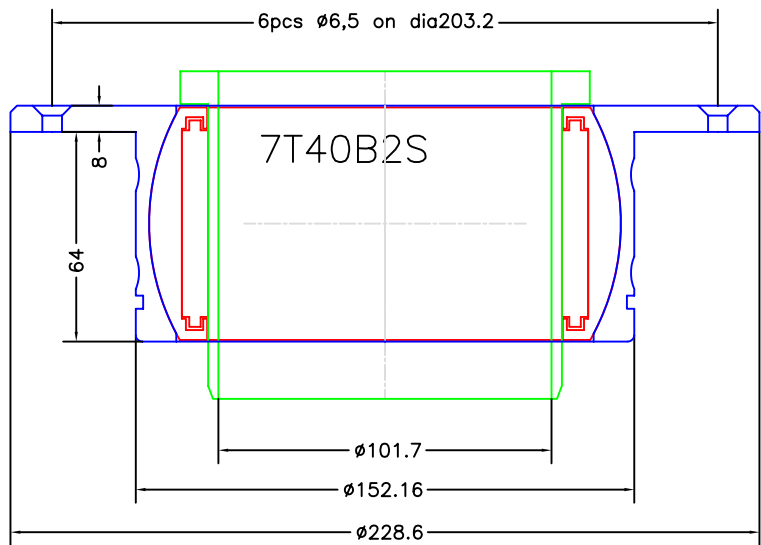


Use this bearing  
when the rudderstock  
have a good surface,  
and the dimension  
on the stock is  
101,6mm +0/-0,08



Use this bearing  
when the rudderstock  
have a rough surface,



Modify date	Project: J-35	Date 2008-06-13	<i>Jefa Rudder</i> S Y S T E M S
Modify date	Retrofit rudder bearings		
Modify date	Scale 1:2	Drawing no. —	JEFA MARINE A/S NIMBUSVEJ 2 2670 GREVE, DENMARK Tlf.+45-4615 5210 & Fax +45-4615 5208 E-mail info@jefa.com & WWW.jefa.com
Modify date	Material —		
Modify date	Filename (dwa) J35 retrofit		
Modify date	Drawn by J.F.		