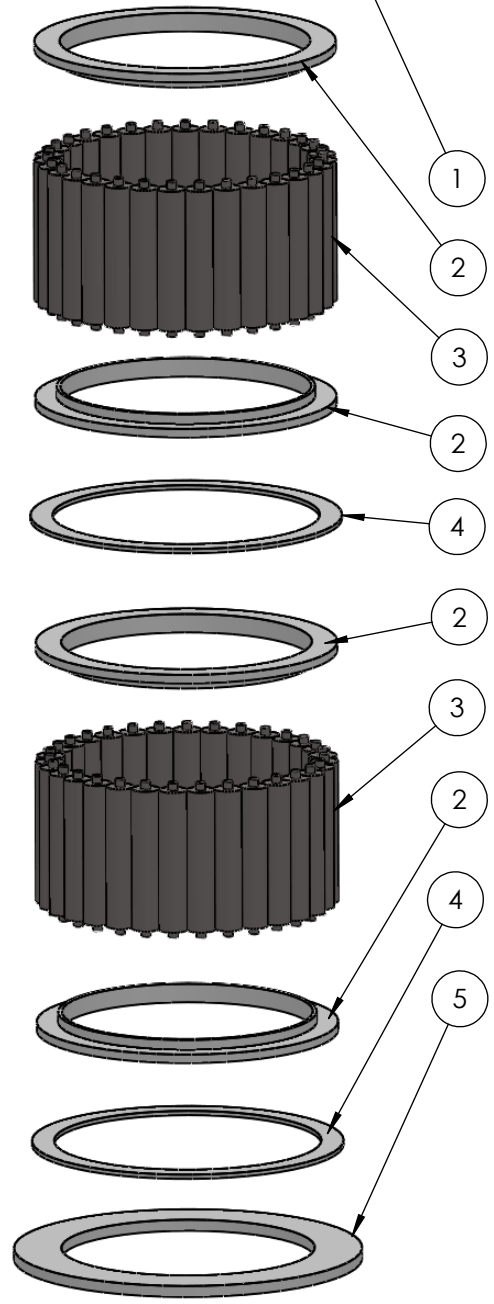
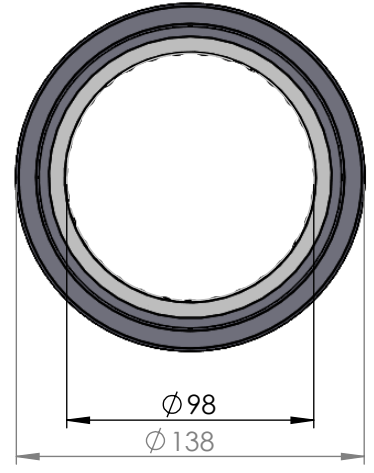


SECTION A-A
SCALE 1 : 3



ITEM NO.	PART NUMBER	PART NAME	EXPL /QTY
1	M21-115	Rollerbearing $\varnothing 95 - \varnothing 104\text{mm}$	1
2	M05-236	L-ring $\varnothing 99 \varnothing 102.5 \varnothing 120$	4
3	M01-348	Roller $\varnothing 11.0 \times 57\text{mm}$	62
4	M03-232	Delrin Lockring $\varnothing 123,5 \times \varnothing 106 \times 1,75\text{mm}$	2
5	M07-185	Washer $\varnothing 100.5 \varnothing 138$	1

DWG NR / NAME:

41098 / Lower roller bearing

BATCH NR:

PROJECT:
Shaft $\varnothing 98\text{mm}$, max working load 12800kg

REKV.NR / ORDRE NR:

DATE:
23-06-2009

NAME:
JR

SCALE / PAPER:
1:2.5 / A4

MATERIAL:
WEIGHT: g

LOCATION:

ORDRE DATO:

MODIFY DATE:
: /

REV:

LEV.DATO:



JEFA MARINE A/S
NIMBUSVEJ 2
2670 GREVE, DENMARK

Tlf: +45 4615 5210 & Fax: +45 46155208
Email: info@jefa.com www.jefa.com