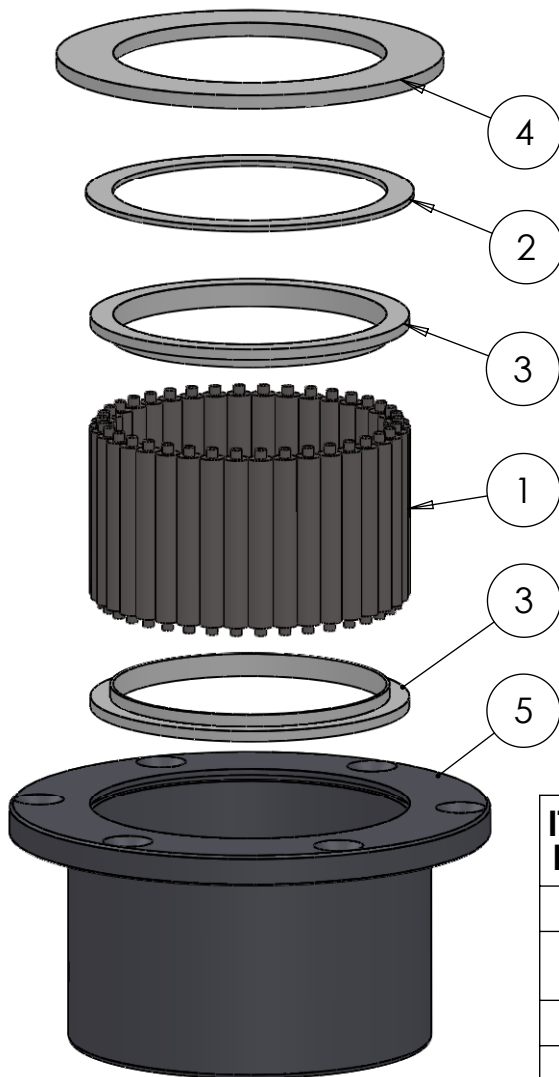
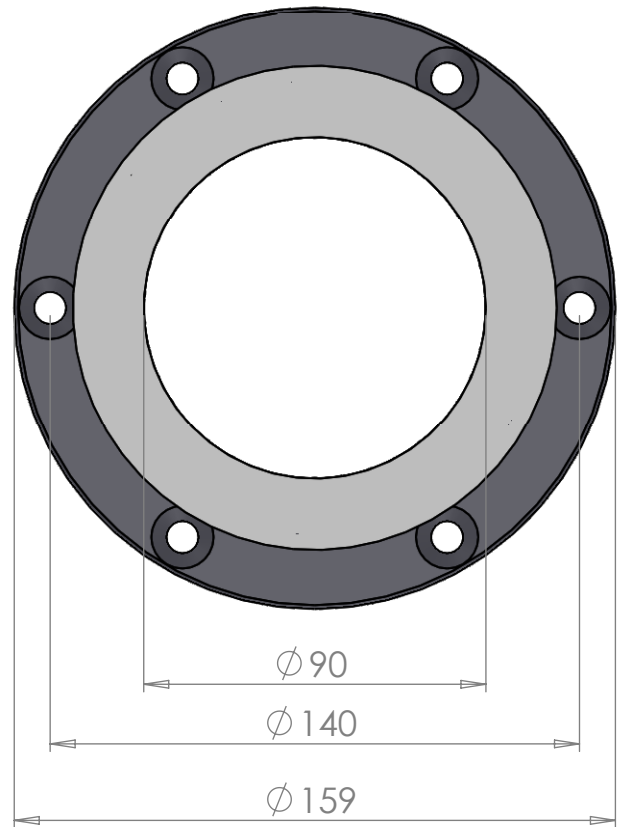
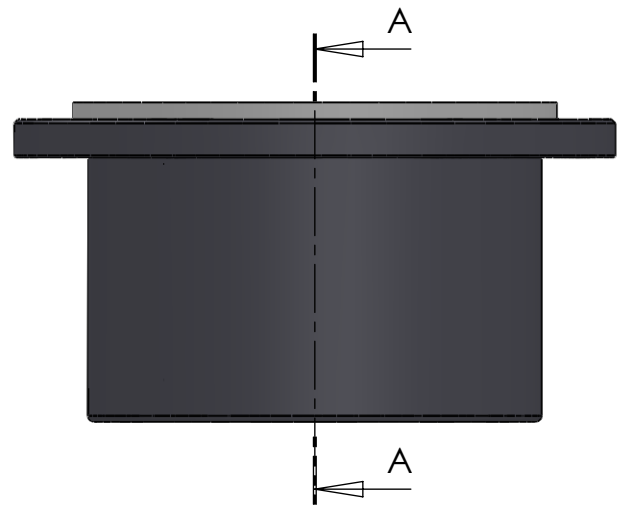
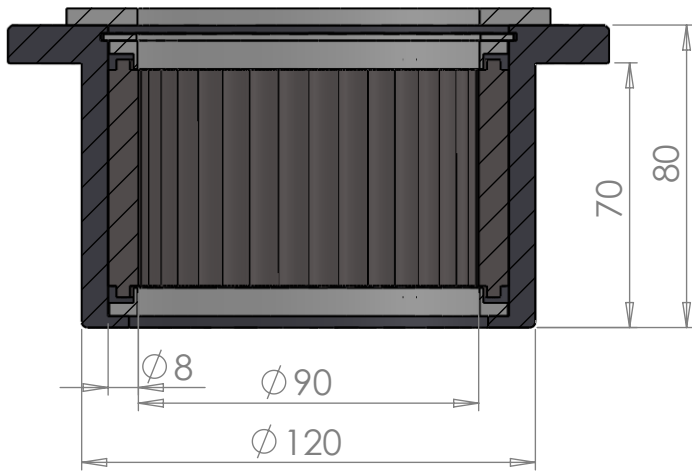


SECTION A-A
SCALE 1 : 2



ITEM NO.	PART NUMBER	PART NAME	QTY.
1	M01-301	Roller $\varnothing 8.0 \times 57\text{mm}$	38
2	M03-220	Delrin Lockring $\varnothing 108,5 \times \varnothing 91 \times 1,75\text{mm}$	1
3	M05-203	L-ring $\varnothing 90\text{mm} \times \varnothing 106\text{mm}$	2
4	M07-173	Washer $\varnothing 90.5 \varnothing 128$	1
5	M23-140	Top roller bearing $\varnothing 80\text{-}\varnothing 90$	1

DWG NR / NAME:

42090 / Top roller bearing

BATCH NR:

PROJECT:

Shaft $\varnothing 90\text{mm}$, Max working load 5700kg

REKV.NR / ORDRE NR:

DATE:

03-06-2009

NAME:

JR

SCALE / PAPER:

1:2.5 / A4

MATERIAL:

WEIGHT:

g

LOCATION:

REV:

ORDRE DATO:

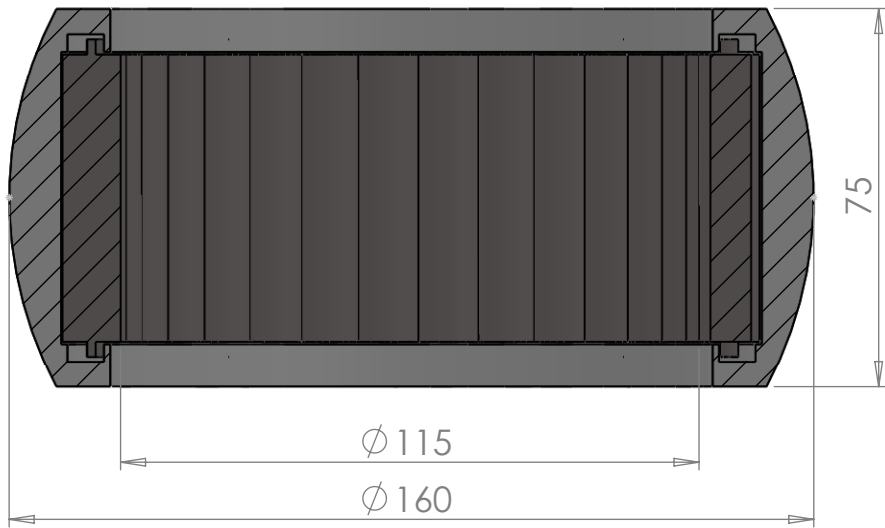
LEV.DATO:

Jefa Rudder
SYSTEMS

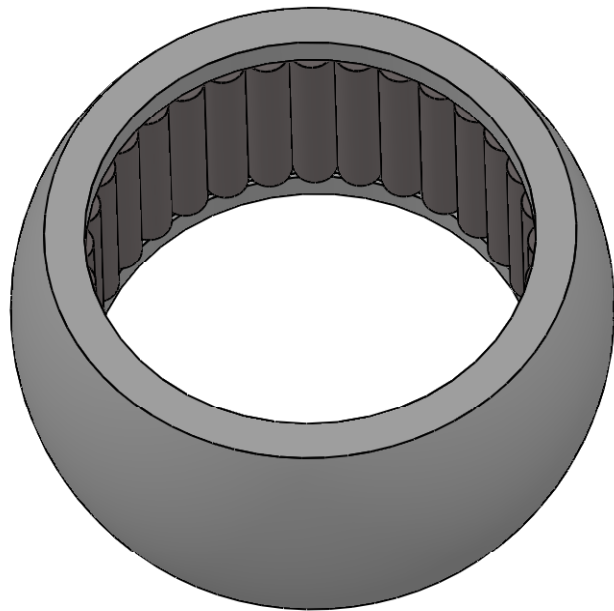
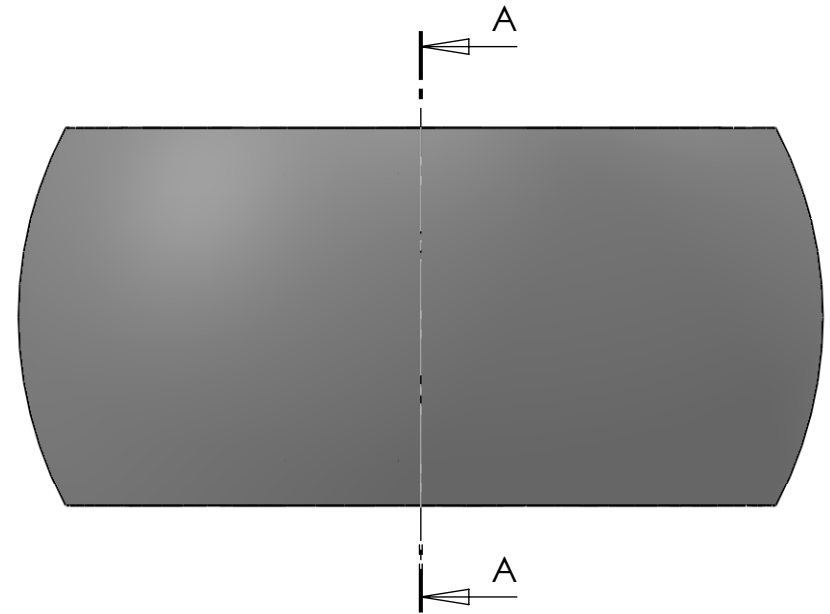
JEFA MARINE A/S
NIMBUSVEJ 2
2670 GREVE. DENMARK


Tlf: +45 4615 5210 & Fax: +45 4615208
Email: info@jefa.com www.jefa.com

: /



SECTION A-A
SCALE 1 : 1.5



DWG NR / NAME: M13-466-115 / Bearing Ball with Rollers				BATCH NR:		 JEFA MARINE A/S NIMBUSVEJ 2 2670 GREVE, DENMARK Tlf: +45 4615 5210 & Fax: +45 46155208 Email: info@jefa.com www.jefa.com
PROJECT: Shaft 115mm, OD 160mm.				REKV.NR / ORDRE NR:		
DATE: 06-04-2011	NAME: JR	SCALE / PAPER: 1:2 / A4	MATERIAL: PETP	LOCATION:	ORDRE DATO:	
MODIFY DATE: : /			WEIGHT: g	REV:	LEV.DATO:	