

ITEM NO.	PART NUMBER	PART NAME	EXPL /QTY
1	M01-201	Roller ø8 x 44mm	23
2	M03-195	Delrin Lockring ø68,5 x ø51 x 1,75mm	1
3	M05-128	L-ring ø50 x ø52.5 ø65	2
4	M07-116	Washer ø50.5 x ø89	1
5	M23-120	Top roller bearing house	1

DWG NR / NAME:

**42050 / Top roller bearing**

BATCH NR:

PROJECT:

Shaft ø50mm, Max working load 2500kg

REKV.NR / ORDRE NR:

DATE:

25-05-2009

NAME:

JR

SCALE / PAPER:

1:2 / A4

MATERIAL:

WEIGHT:

g

LOCATION:

ORDRE DATO:

MODIFY DATE:

: /

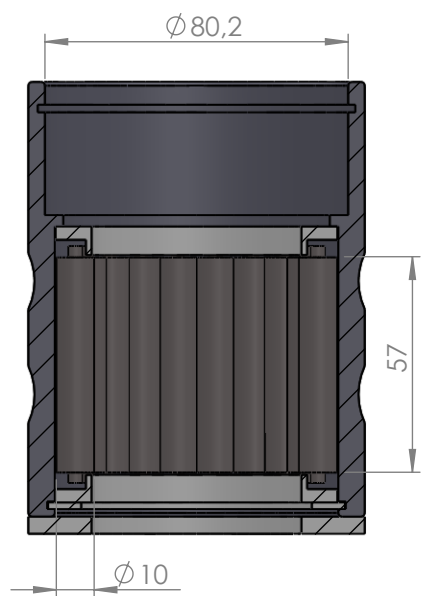
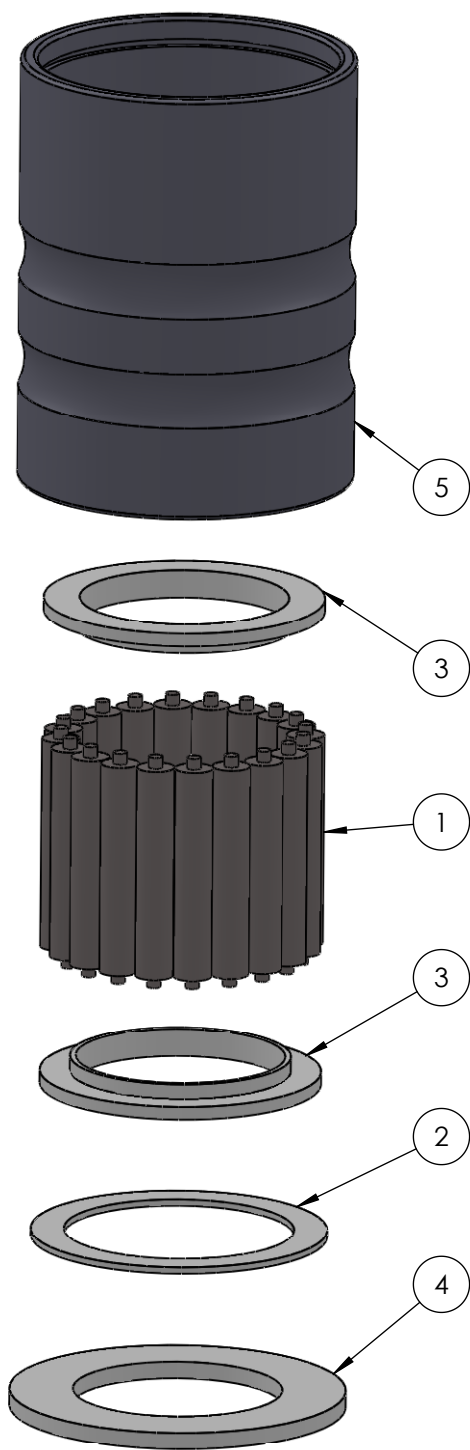
REV:

LEV.DATO:

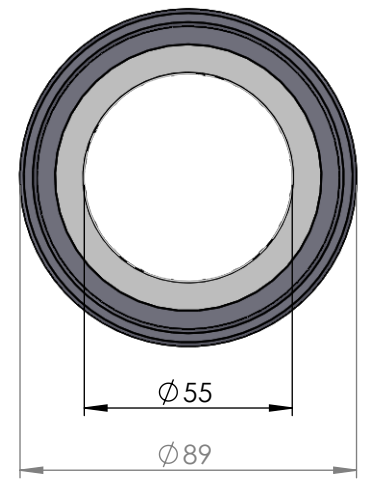
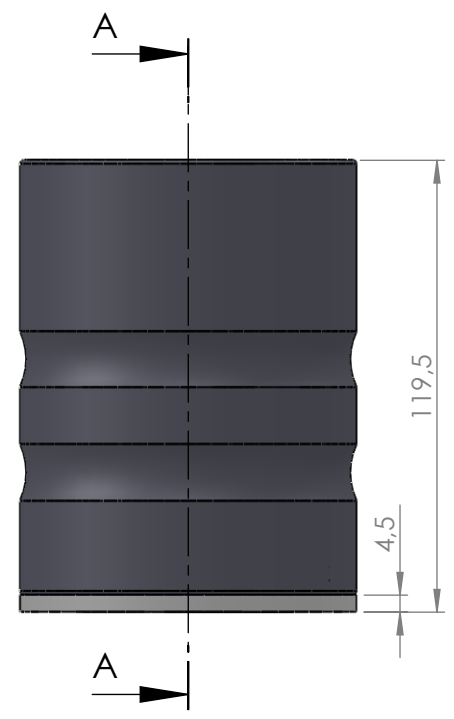
*Jefa Rudder*  
S Y S T E M S

JEFA MARINE A/S  
NIMBUSVEJ 2  
2670 GREVE, DENMARK

Tlf: +45 4615 5210 & Fax: +45 4615208  
Email: info@jefa.com www.jefa.com



SECTION A-A



ITEM NO.	PART NUMBER	PART NAME	QTY.
1	M01-332	Roller $\phi 10.0 \times 57\text{mm}$	20
2	M03-201	Lockring $\phi 61 \times \phi 79$	1
3	M05-140	L-ring $\phi 55 \phi 58.5 \phi 75$	2
4	M07-122	Washer $\phi 55.5 \times \phi 89$	1
5	M21-105	Rollerbearing $\phi 50 - \phi 59\text{mm}$	1

DWG NR / NAME:

### 41055 / Lower roller bearing

BATCH NR:

PROJECT: Shaft  $\phi 55\text{mm}$ , Max working load 3900kg

REKV.NR / ORDRE NR:

DATE: 10-06-2009

NAME: JR

SCALE / PAPER: 1:2 / A4

MATERIAL: WEIGHT: g

LOCATION:

ORDRE DATO:

MODIFY DATE: : /

REV:

LEV.DATO:

*Jefa Rudder*  
SYSTEMS

JEFA MARINE A/S  
NIMBUSVEJ 2  
2670 GREVE. DENMARK

Tlf: +45 4615 5210 & Fax: +45 46155208  
Email: info@jefa.com www.jefa.com