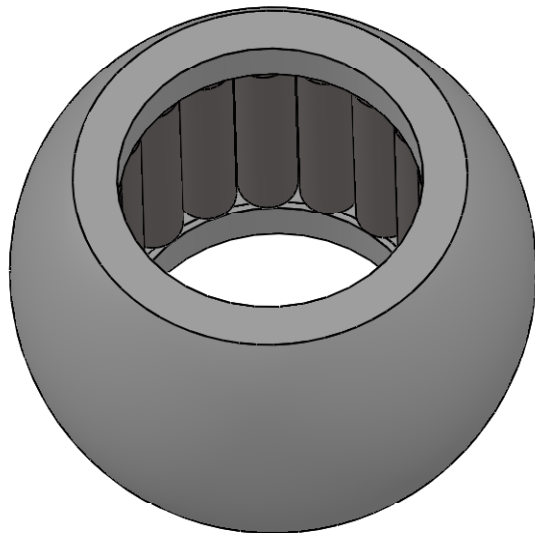

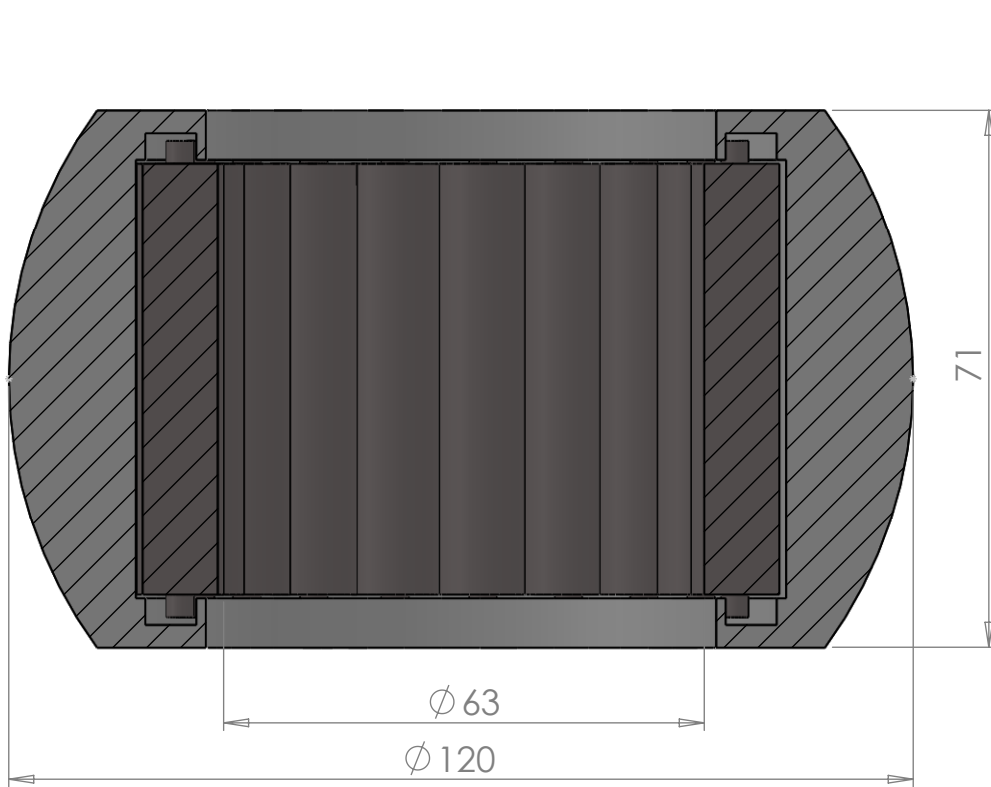


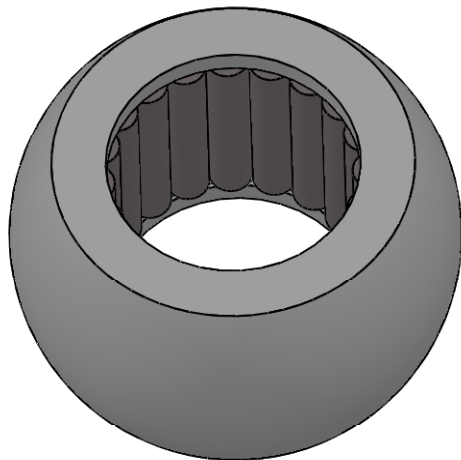
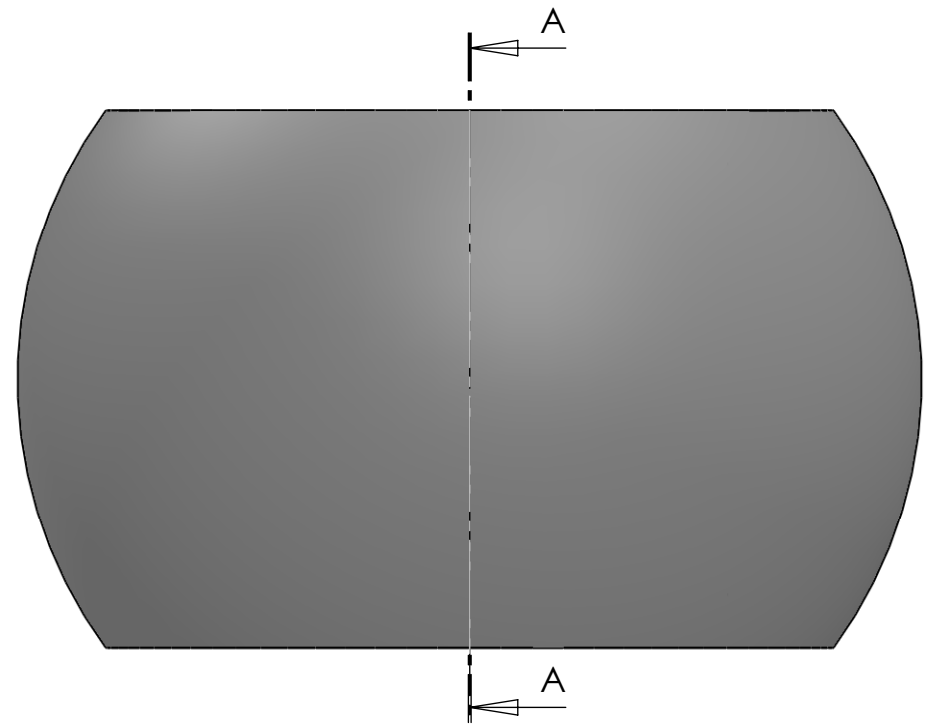
SECTION A-A  
SCALE 1 : 1



DWG NR / NAME: <b>M13-112-40 / Bearing Ball with Rollers</b>				BATCH NR:		 <b>JEFA MARINE A/S</b> NIMBUSVEJ 2 2670 GREVE. DENMARK Tlf: +45 4615 5210 & Fax: +45 46155208 Email: info@jefa.com www.jefa.com
PROJECT: Shaft 40mm, OD 70mm.				REKV.NR / ORDRE NR:		
DATE: 06-04-2011	NAME: JR	SCALE / PAPER: 1:1 / A4	MATERIAL: PETP WEIGHT: g	LOCATION:	ORDRE DATO:	
MODIFY DATE: : /			REV:	LEV.DATO:		



SECTION A-A  
SCALE 1 : 1



DWG NR / NAME: <b>M13-214-63 / Bearing Ball with Rollers</b>				BATCH NR:	
PROJECT: Shaft 63mm, OD 120mm.				REKV.NR / ORDRE NR:	
DATE: 06-04-2011	NAME: JR	SCALE / PAPER: 1:2 / A4	MATERIAL: PETP WEIGHT: g	LOCATION:	ORDRE DATO:
MODIFY DATE: : /				REV:	LEV.DATO:

*Jefa Rudder*  
S Y S T E M S

JEFA MARINE A/S  
NIMBUSVEJ 2  
2670 GREVE. DENMARK  
Tlf: +45 4615 5210 & Fax: +45 46155208  
Email: info@jefa.com www.jefa.com