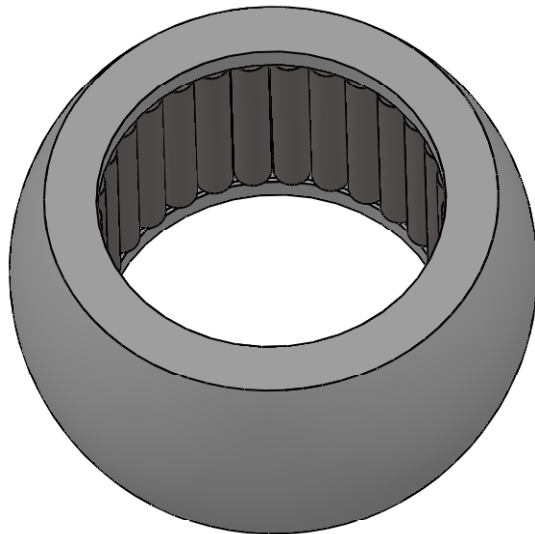
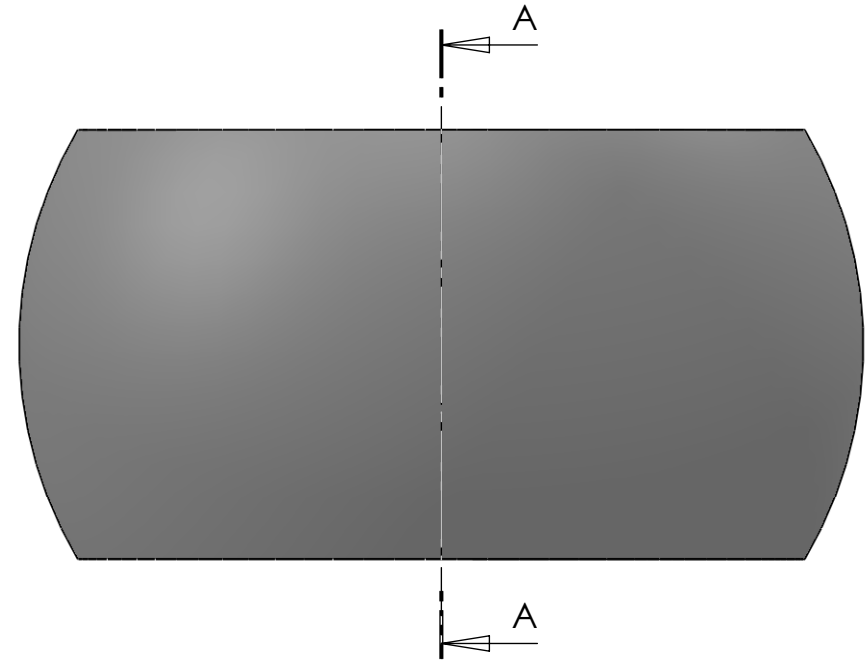

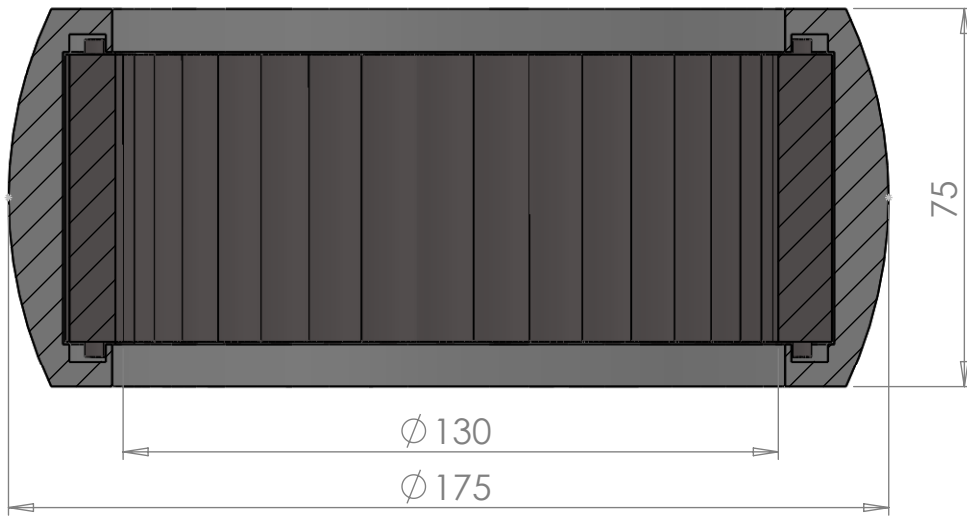


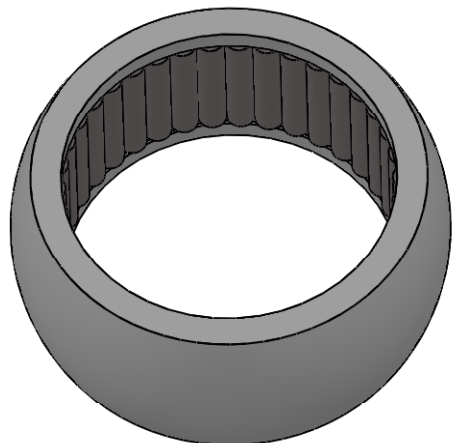
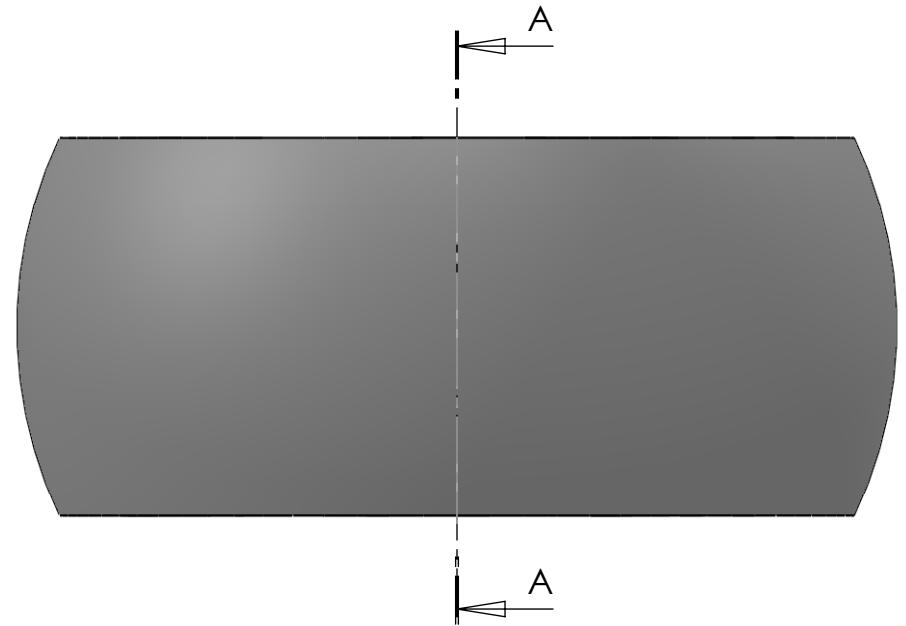
SECTION A-A  
SCALE 1 : 1.25




DWG NR / NAME: <b>M13-280-90 / Bearing Ball with Rollers</b>				BATCH NR:		 <b>JEFA MARINE A/S</b> NIMBUSVEJ 2 2670 GREVE, DENMARK Tlf: +45 4615 5210 & Fax: +45 46155208 Email: info@jefa.com www.jefa.com
PROJECT: Shaft 90mm, OD 140mm.				REKV.NR / ORDRE NR:		
DATE: 06-04-2011	NAME: JR	SCALE / PAPER: 1:2 / A4	MATERIAL: PETP	LOCATION:	ORDRE DATO:	
MODIFY DATE: : /			WEIGHT: g	REV:	LEV.DATO:	



SECTION A-A  
SCALE 1 : 1.5



DWG NR / NAME: <b>M13-510-130 / Bearing Ball with Rollers</b>				BATCH NR:		 <b>Jefa Rudder</b> SYSTEMS JEFA MARINE A/S NIMBUSVEJ 2 2670 GREVE, DENMARK Tlf: +45 4615 5210 & Fax: +45 46155208 Email: info@jefa.com www.jefa.com
PROJECT: Shaft 130mm, OD 175mm.				REKV.NR / ORDRE NR:		
DATE: 06-04-2011	NAME: JR	SCALE / PAPER: 1:3 / A4	MATERIAL: PETP WEIGHT: g	LOCATION:	ORDRE DATO:	
MODIFY DATE: : /				REV:	LEV.DATO:	