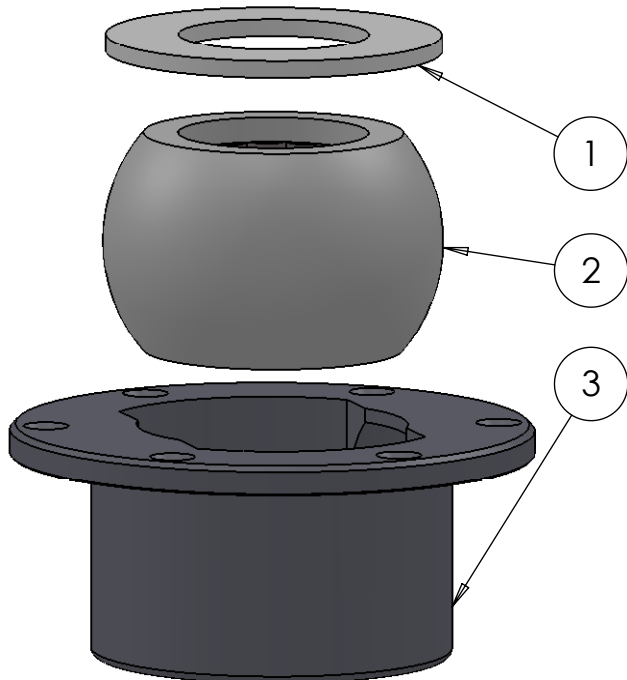

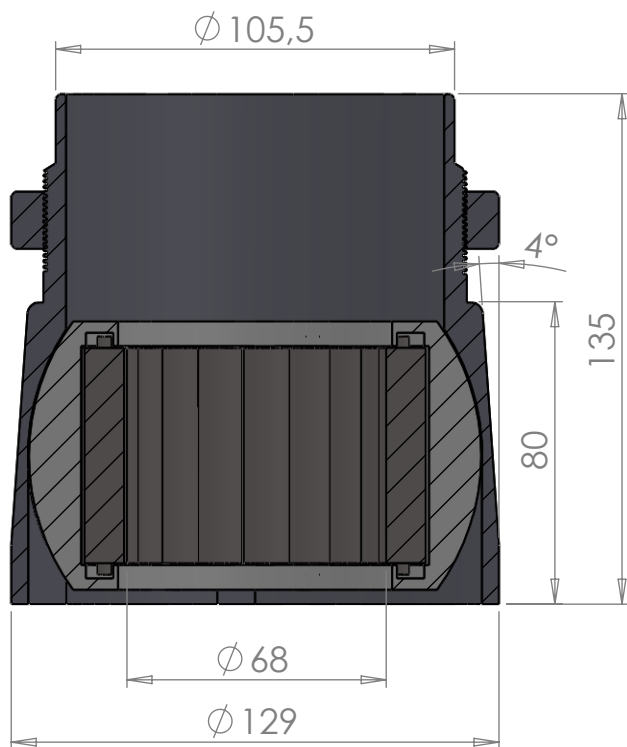


SECTION A-A  
SCALE 1 : 1.25

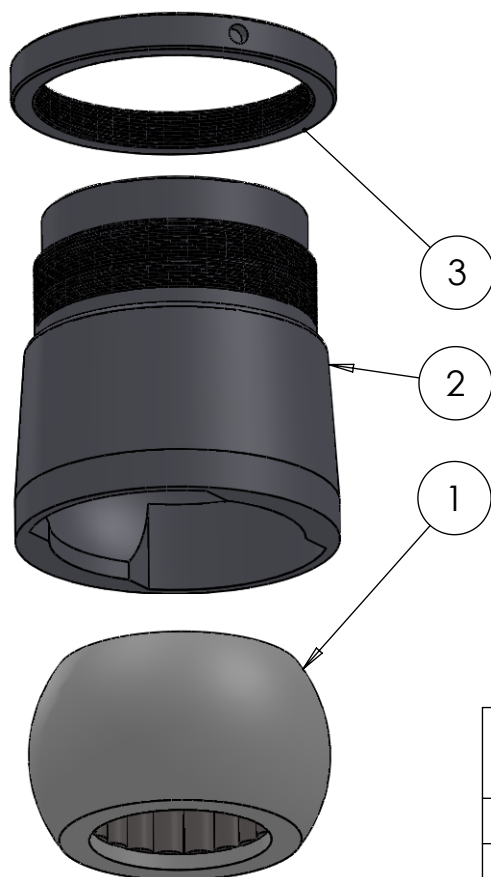


ITEM NO.	PART NUMBER	PART NAME	Default/ QTY.
1	M07-116	Washer $\phi 50.5 \times \phi 89$	1
2	M13-160-50	Ball with Rollers for 5T050	1
3	M51-101	House for 5T045-5T060	1

DWG NR / NAME: <b>5T050 / S-A top Roller bearing <math>\phi 50\text{mm}</math></b>				BATCH NR:		 <b>Jefa Rudder</b> SYSTEMS JEFA MARINE A/S NIMBUSVEJ 2 2670 GREVE. DENMARK Tlf: +45 4615 5210 & Fax: +45 46155208 Email: info@jefa.com www.jefa.com
PROJECT: Shaft $\phi 50\text{mm}$ , max working load 1900 kg				REKV.NR / ORDRE NR:		
DATE: 07-01-2011	NAME: JR	SCALE / PAPER: 1:2 / A4	MATERIAL: WEIGHT: g	LOCATION:	ORDRE DATO:	
MODIFY DATE: : /				REV:	LEV.DATO:	



SECTION A-A  
SCALE 1 : 2



ITEM NO.	PART NUMBER	PART NAME	QTY.
1	M13-216-68	Ball with Rollers for 5T068	1
2	M53-110	House for 5BT061-5BT082	1
3	M54-110	Nut M112x2	1

DWG NR / NAME:

**5BT068 / Conical SA lower roller bearing**

PROJECT:

For  $\varnothing 68$ mm shaft, max working load 3400 kg

DATE:

29.09.2011

NAME:

JR

SCALE / PAPER:

1:3 / A4

MATERIAL:

WEIGHT:

g

LOCATION:

REV:

BATCH NR:

REKV.NR / ORDRE NR:

ORDRE DATO:

LEV.DATO:

*Jefa Rudder*  
SYSTEMS

JEFA MARINE A/S  
NIMBUSVEJ 2  
2670 GREVE. DENMARK

Tlf: +45 4615 5210 & Fax: +45 46155208  
Email: info@jefa.com www.jefa.com

: /