

SECTION A-A
SCALE 1 : 2

ITEM NO.	PART NUMBER	PART NAME	QTY.
1	DIN916-10x10	Socket set Screw M10x10mm	3
2	M01-264	Roller $\varnothing 12.5 \times 44\text{mm}$	16
3	M03-201	Delrin Lockring $\varnothing 78,5 \times \varnothing 61 \times 1,75\text{mm}$	2
4	M03-205	Delrin Lockring $\varnothing 83,5 \times \varnothing 66 \times 1,75\text{mm}$	1
5	M03-610	Delrin Lockring $\varnothing 80 \times \varnothing 61 \times 2,75\text{mm}$	1
6	M05-134	L-ring $\varnothing 50 \varnothing 53.5 \varnothing 75$	2
7	M36-050	Outer house 42050Z	1
8	M39-040	Hanger $\varnothing 40$	1
9	M41-510	5mm delrin ball	44
10	OR075-25	O-ring $\varnothing 75 \times 2.5$	1
11	M43-078	Cover with M78	1

DWG NR / NAME:

42050Z / Top roller Bearing

BATCH NR:

PROJECT:

Shaft $\varnothing 50\text{mm}$. Max working load 2500kg

REKV.NR / ORDRE NR:

DATE:

06-12-2010

NAME:

JR

SCALE / PAPER:

1:5 / A4

MATERIAL:

WEIGHT:

g

LOCATION:

REV:

ORDRE DATO:

LEV.DATO:

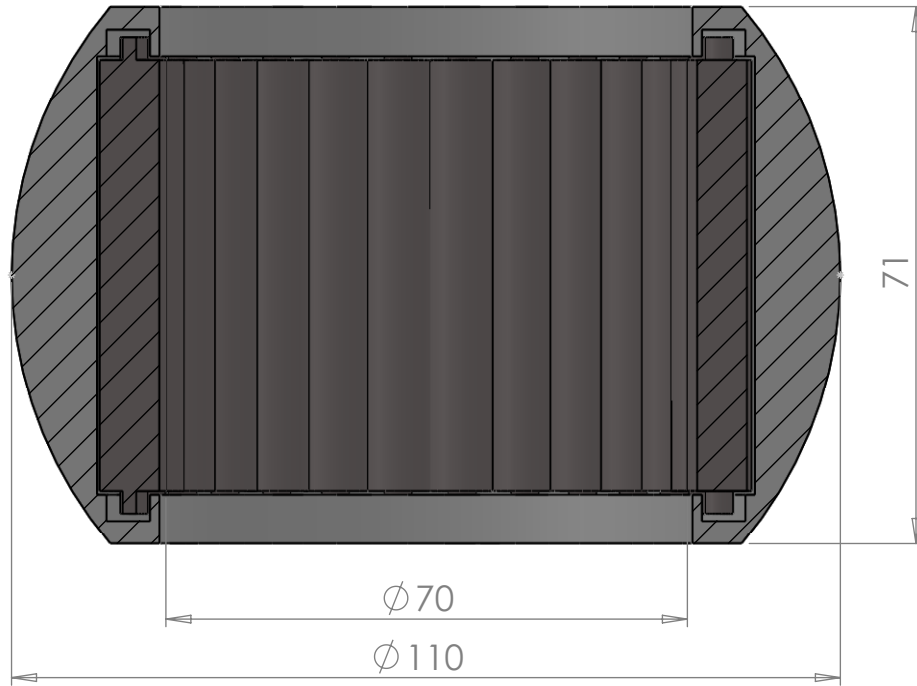
MODIFY DATE:

: /

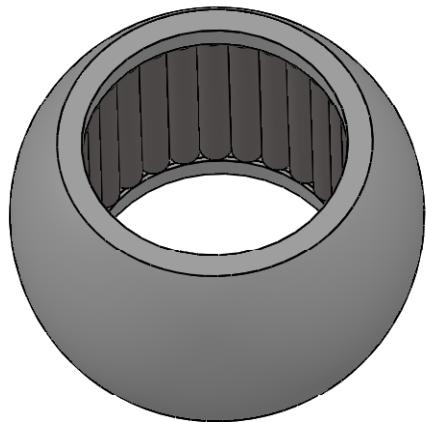
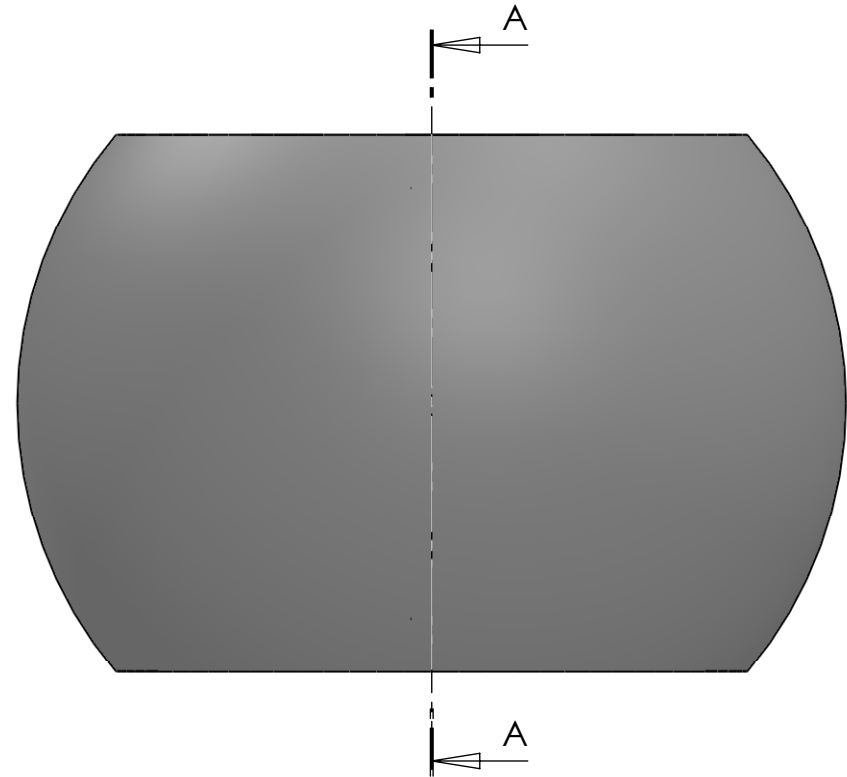
Jefa Rudder
SYSTEMS

JEFA MARINE A/S
NIMBUSVEJ 2
2670 GREVE. DENMARK

Tlf: +45 4615 5210 & Fax: +45 46155208
Email: info@jefa.com www.jefa.com



SECTION A-A
SCALE 1 : 1



DWG NR / NAME: M13-209-70 / Bearing Ball with Rollers				BATCH NR:	
PROJECT: Shaft 70mm, OD 110mm.				REKV.NR / ORDRE NR:	
DATE: 06-04-2011	NAME: JR	SCALE / PAPER: 1:2 / A4	MATERIAL: PETP WEIGHT: g	LOCATION:	ORDRE DATO:
MODIFY DATE: : /				REV:	LEV.DATO:

Jefa Rudder
S Y S T E M S

JEFA MARINE A/S
NIMBUSVEJ 2
2670 GREVE, DENMARK
Tlf: +45 4615 5210 & Fax: +45 46155208
Email: info@jefa.com www.jefa.com