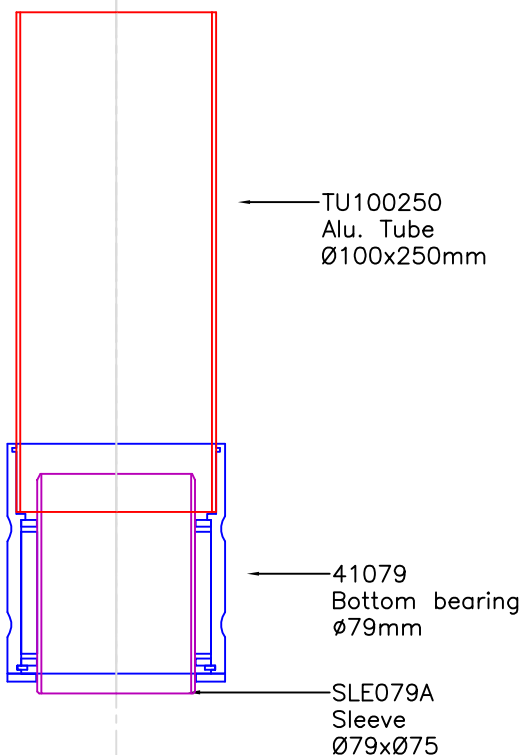


These parts shall be ordered, for an update:

item no	Rudder bearings, part list	Quantity
47050	Tiller head 50mm	1
42055	Top bearing, 55mm	1
SLE055A	Sleeve in alu. Ø55xØ50x100mm	1
TU100250	Alu. tube Ø100 x 250mm	1
41079	Bottom bearing 79mm	1
SLE079A	Sleeve in alu. Ø79xØ75x130mm	1



item no	Spare part list:	Quantity
47050U	U-profil for 47050, Stainless 316	1
47050K	Alu. block Ø50, black anodised	1
M56-204	Washer Ø12xØ24x1mm, Plast	2
M56-215	Shaft Ø10x116mm, stainless	1
M07-122	Washer Ø55,5xØ89x4,5mm, Delrin	1
M03-203	Lock-ring Ø79,5xØ63x1,75mm, Delrin	1
M05-140	L-ring Ø55,5xØ74,5mm, Delrin	2
M01-232	Roller Ø10x44mm, Delrin	20
	Rollers M01-232 shall be used when the sleeve is the original dimension 54,92-55mm. Rollers M01-233 shall be used if the sleeve is worn down to 54,84-54,94mm	
ALTERNATIVE M01-233	Roller Ø10,05x44mm, Delrin	20
M07-158	Washer Ø79,5xØ109x4,5mm, Delrin	1
M03-213	Lock-ring Ø98,5xØ81x1,75mm, Delrin	1
M05-188	L-ring Ø79,5xØ94,5mm, Delrin	2
M01-301	Roller Ø8x57mm, Delrin	34
	Rollers M01-301 shall be used when the sleeve is the original dimension 78,92-79mm. Rollers M01-302 shall be used if the sleeve is worn down to 78,84-78,94mm	
ALTERNATIVE M01-302	Roller Ø8,05x57mm, Delrin	34

Modify date	Project: X119 Update from plain bearings	
Modify date	Rudder bearing spareparts	
Modify date	Scale 1:4	Date 2009-03-25
Modify date	Material —	Drawing no. —
Modify date	Filename (dwg) —	
Modify date	Drawn by J.F.	—

Jefa Rudder
S Y S T E M S

JEFA MARINE A/S
NIMBUSVEJ 2
2670 GREVE, DENMARK
Tlf. +45-4615 5210 & Fax +45-4615 5208
E-mail info@jefa.com & WWW.jefa.com