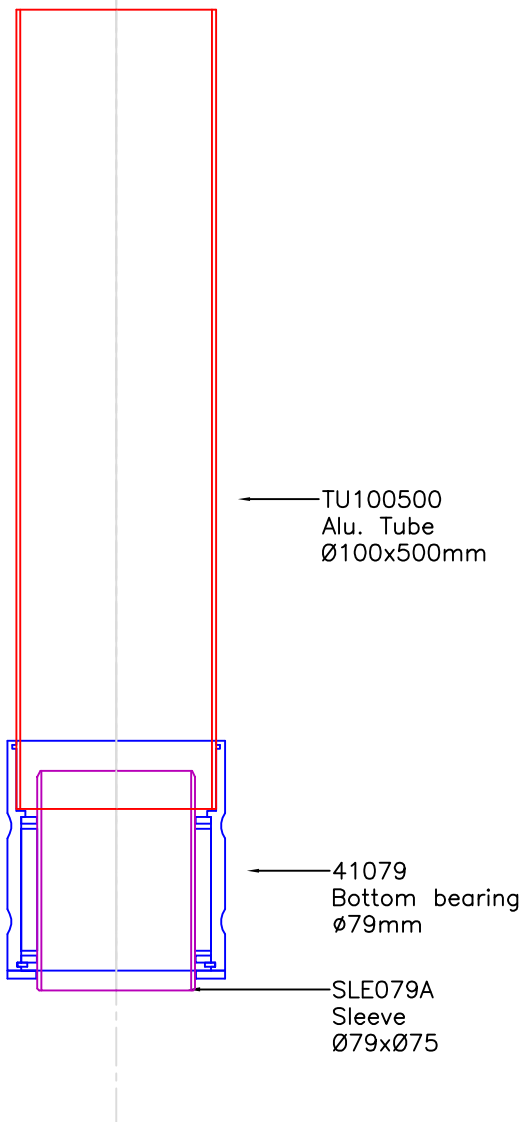


These parts shall be ordered, for an update:

item no	Rudder bearings, part list	Quantity
47035	Tiller head 35mm	1
42040SQ	Top bearing with stops, 40mm	1
SLE040A	Sleeve in alu. Ø40xØ35x80mm	1
TU100500	Alu. tube Ø100 x 500mm	1
41079	Bottom bearing 79mm	1
SLE079A	Sleeve in alu. Ø79xØ75x130mm	1



item no	Spare part list:	Quantity
47035U	U-profil for 47035, Stainless 316	1
47035K	Alu. block Ø35, black anodised	1
M56-204	Washer Ø12xØ24x1mm, Plast	2
M56-210	Shaft Ø10x94mm, stainless	1
M07-107	Washer Ø40,5xØ79x4,5mm, Delrin	1
M03-191	Lock-ring Ø59,5xØ46x1,75mm, Delrin	1
M05-107	L-ring Ø40,5xØ55,5mm, Delrin	2
M01-201	Roller Ø8x44mm, Delrin	18
	Rollers M01-201 shall be used when the sleeve is the original dimension 39,92-40mm. Rollers M01-202 shall be used if the sleeve is worn down to 39,84-39,94mm	
ALTERNATIVE M01-202	Roller Ø8,05x44mm, Delrin	18
M07-158	Washer Ø79,5xØ109x4,5mm, Delrin	1
M03-213	Lock-ring Ø98,5xØ81x1,75mm, Delrin	1
M05-188	L-ring Ø79,5xØ94,5mm, Delrin	2
M01-301	Roller Ø8x57mm, Delrin	34
	Rollers M01-301 shall be used when the sleeve is the original dimension 78,92-79mm. Rollers M01-302 shall be used if the sleeve is worn down to 78,84-78,94mm	
ALTERNATIVE M01-302	Roller Ø8,05x57mm, Delrin	34

Modify date	Project: X342 Update from plain bearings	
Modify date	Rudder bearing spareparts	
Modify date	Scale 1:4	Date 2009-08-14
Modify date	Material —	Drawing no. —
Modify date	Filename (dwg) —	
Modify date	Drawn by J.F.	—

Jefa Rudder
SYSTEMS

JEFA MARINE A/S
NIMBUSVEJ 2
2670 GREVE, DENMARK
Tlf. +45-4615 5210 & Fax +45-4615 5208
E-mail info@jefa.com & WWW.jefa.com