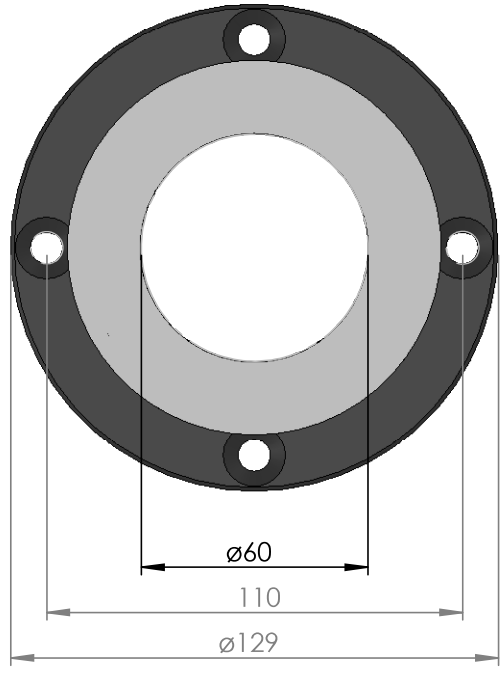
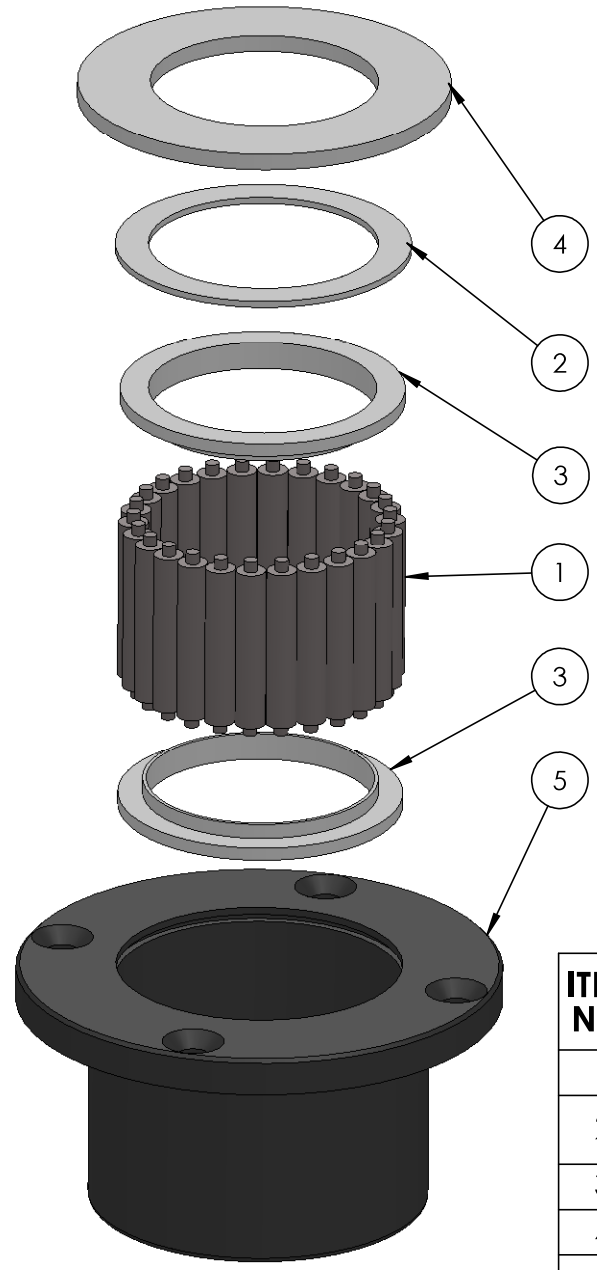


SECTION A-A



ITEM NO.	PART NUMBER	PART NAME	EXPL /QTY
1	M01-201	Roller Ø8 x 44mm	26
2	M03-201	Delrin Lockring Ø78,5 x Ø61 x 1,75mm	1
3	M05-152	L-ring Ø60 x Ø62.5 x Ø76	2
4	M07-131	Washer Ø60.5 x Ø99	1
5	M23-125	Top roller bearing Ø50-Ø60	1

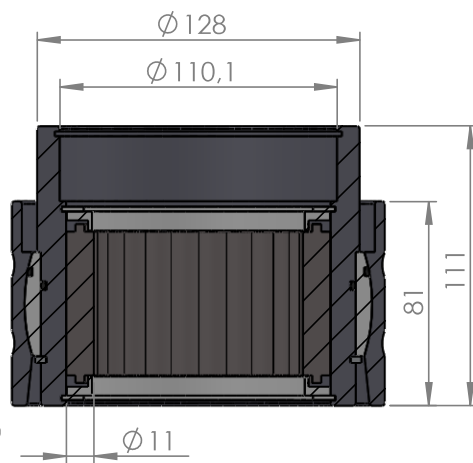
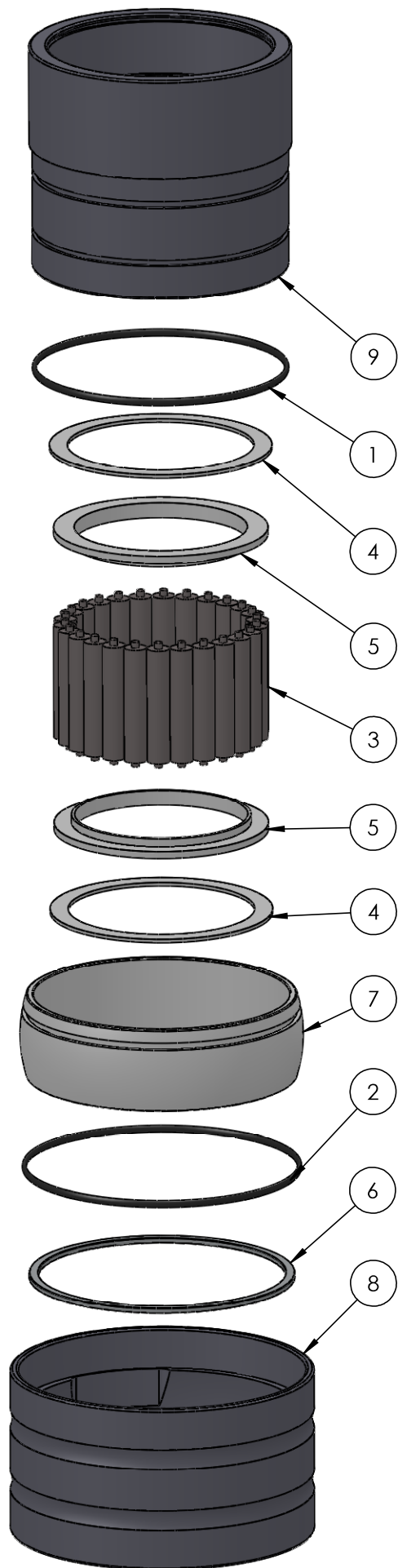
DWG NR / NAME: **42060 / Top roller bearing**

PROJECT: Shaft Ø60mm, Max working load 3000kg

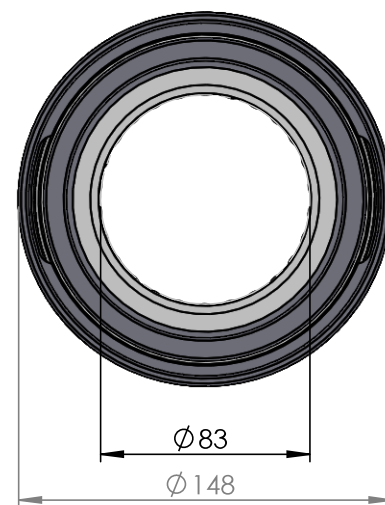
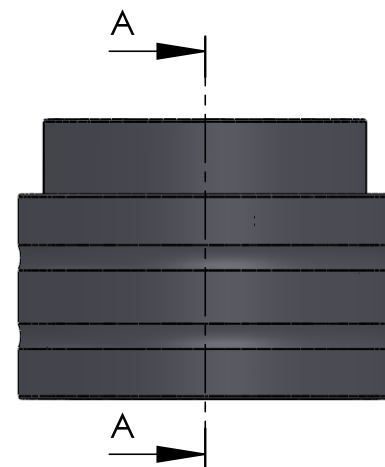
DATE: 25-05-2009 NAME: JR SCALE / PAPER: 1:2 / A4 MATERIAL: WEIGHT: g LOCATION: ORDRE DATO: LEV.DATO:

BATCH NR: REKV.NR / ORDRE NR: JEFA MARINE A/S NIMBUSVEJ 2 2670 GREVE. DENMARK Tlf: +45 4615 5210 & Fax: +45 46155208 Email: info@jefa.com www.jefa.com

JeFa Rudder
S Y S T E M S



SECTION A-A



ITEM NO.	PART NUMBER	PART NAME	QTY.
1		O-ring $\varnothing 123 \times 2.5$	1
2		O-ring $\varnothing 134 \times 2.5$	1
3	M01-348	Roller $\varnothing 11.0 \times 57\text{mm}$	26
4	M03-220	Lockring $\varnothing 91 \varnothing 109$	2
5	M05-194	L-ring $\varnothing 84 \varnothing 87.5 \varnothing 105$	2
6	M09-110	Alu lockring $\varnothing 120.5 \times \varnothing 129.5$	1
7	M11-105	Ball 4S080-4SF099	1
8	M31-111	Outer house 4S080-4S09699	1
9	M35-109	Inner house 4S080-4S089	1

DWG NR / NAME:

4S083 / Self-aligning lower bearing

BATCH NR:

PROJECT:

Shaft $\varnothing 83\text{mm}$, max working load 5600 kg

REKV.NR / ORDRE NR:

DATE:

02-09-2009

NAME:

JR

SCALE / PAPER:

1:3 / A4

MATERIAL:

WEIGHT:

g

LOCATION:

REV:

ORDRE DATO:

LEV.DATO:

Jefa Rudder
SYSTEMS

JEFA MARINE A/S
NIMBUSVEJ 2
2670 GREVE, DENMARK

Tlf: +45 4615 5210 & Fax: +45 46155208
Email: info@jefa.com www.jefa.com

: /