

ITEM NO.	PART NUMBER	PART NAME	EXPL /QTY
1	M01-201	Roller ø8 x 44mm	23
2	M03-195	Delrin Lockring ø68,5 x ø51 x 1,75mm	1
3	M05-128	L-ring ø50 x ø52.5 ø65	2
4	M07-116	Washer ø50.5 x ø89	1
5	M23-120	Top roller bearing house	1

DWG NR / NAME:

42050 / Top roller bearing

BATCH NR:

PROJECT:

Shaft ø50mm, Max working load 2500kg

REKV.NR / ORDRE NR:

DATE: 25-05-2009
MODIFY DATE:

NAME: JR

SCALE / PAPER: 1:2 / A4

MATERIAL: WEIGHT: g

LOCATION: REV:

ORDRE DATO:

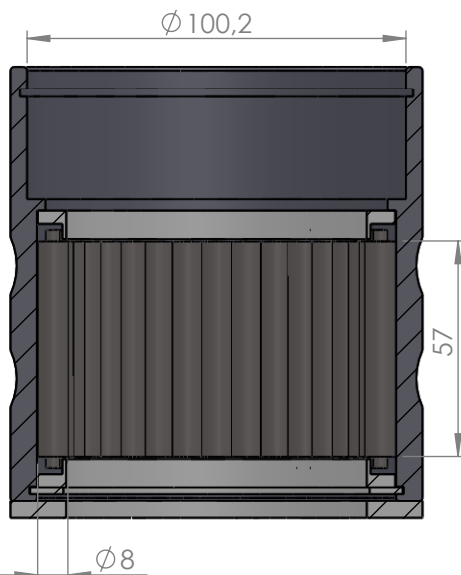
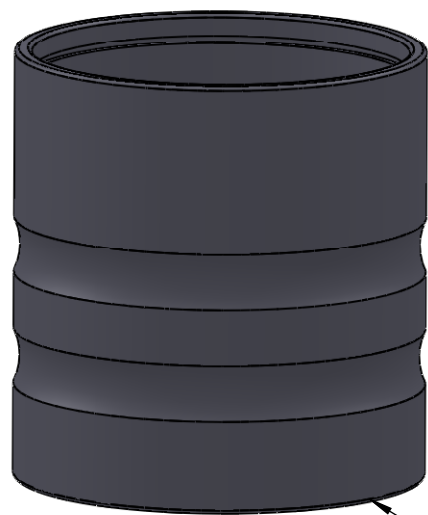
LEV.DATO:

Jefa Rudder
SYSTEMS

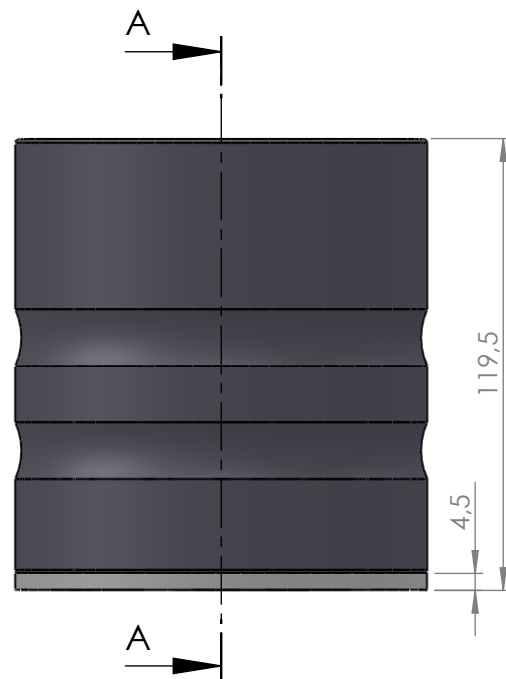
JEFA MARINE A/S
NIMBUSVEJ 2
2670 GREVE, DENMARK

Tlf: +45 4615 5210 & Fax: +45 4615208
Email: info@jefa.com www.jefa.com

: /



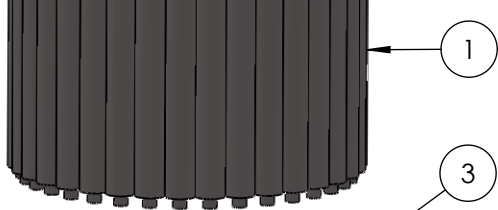
SECTION A-A



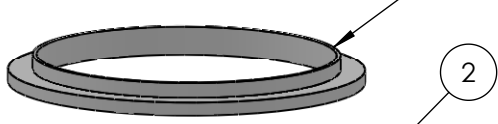
5



3



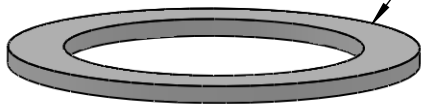
1



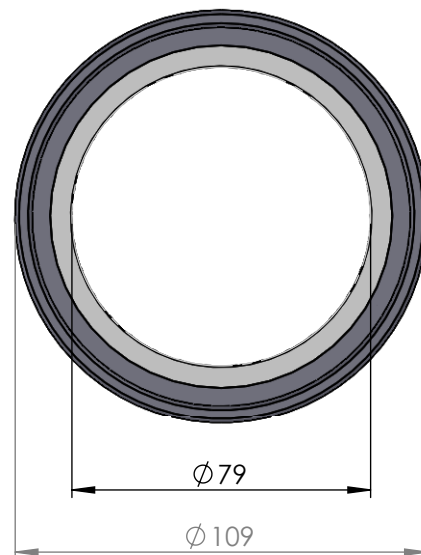
2



4



3



ITEM NO.	PART NUMBER	PART NAME	QTY.
1	M01-301	Roller $\varnothing 8.0 \times 57$ mm	34
2	M03-213	Lockring $\varnothing 81 \varnothing 99$	1
3	M05-188	L-ring $\varnothing 79 \varnothing 81.5 \varnothing 95$	2
4	M07-158	Washer $\varnothing 79.5 \varnothing 109$	1
5	M21-109	Rollerbearing $\varnothing 70 - \varnothing 79$ mm	1

DWG NR / NAME:

41079 / Lower roller bearing

BATCH NR:

PROJECT:

Shaft $\varnothing 79$ mm, Max working load 5100kg

REKV.NR / ORDRE NR:

DATE:

12-06-2009

NAME:

JR

SCALE / PAPER:

1:2 / A4

MATERIAL:

WEIGHT:

g

LOCATION:

ORDRE DATO:

MODIFY DATE:

: /

REV:

LEV.DATO:

Jefa Rudder
SYSTEMS

JEFA MARINE A/S
NIMBUSVEJ 2
2670 GREVE. DENMARK

Tlf: +45 4615 5210 & Fax: +45 4615 5208
Email: info@jefa.com www.jefa.com