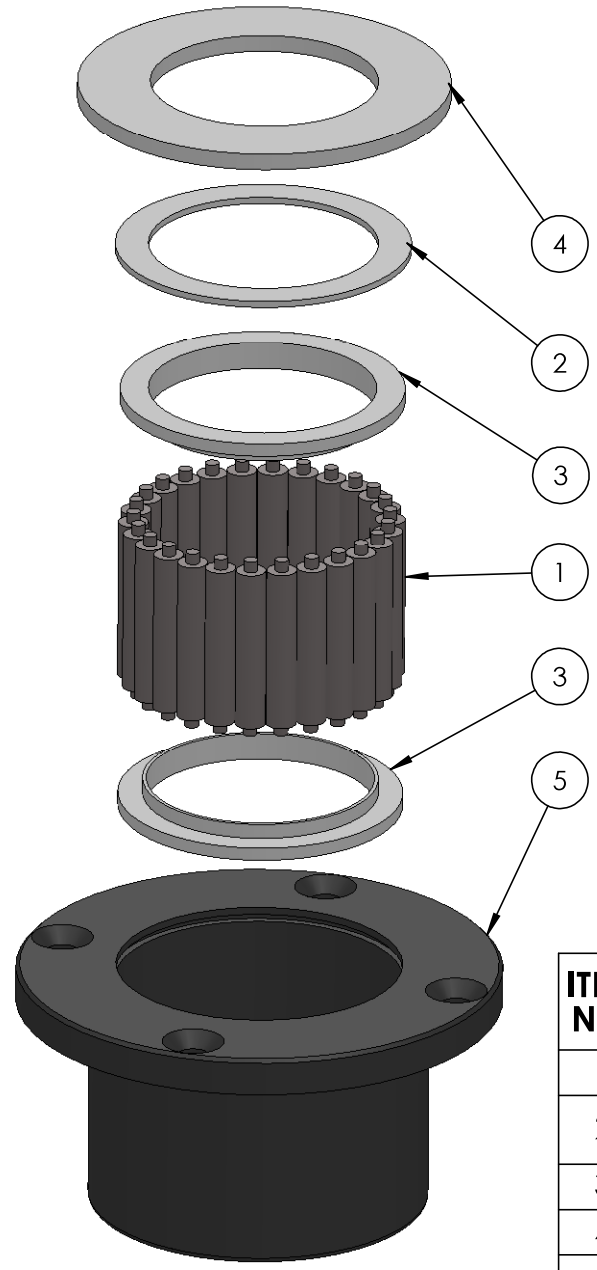
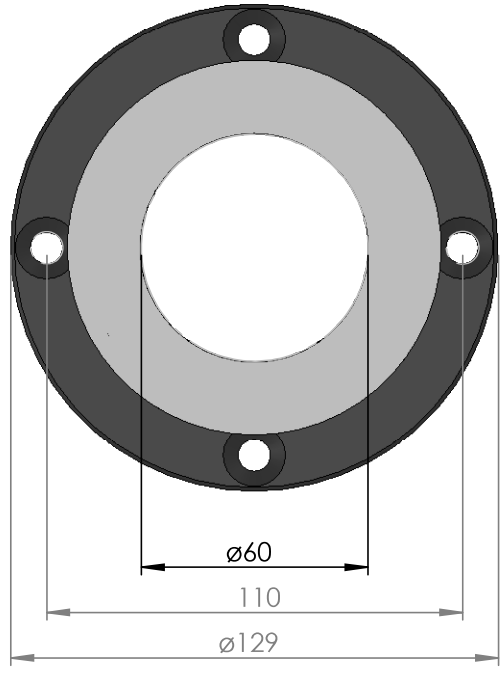


SECTION A-A



| ITEM NO. | PART NUMBER | PART NAME | EXPL /QTY |
|----------|-------------|--------------------------------------|-----------|
| 1 | M01-201 | Roller Ø8 x 44mm | 26 |
| 2 | M03-201 | Delrin Lockring Ø78,5 x Ø61 x 1,75mm | 1 |
| 3 | M05-152 | L-ring Ø60 x Ø62.5 Ø76 | 2 |
| 4 | M07-131 | Washer Ø60.5 x Ø99 | 1 |
| 5 | M23-125 | Top roller bearing Ø50-Ø60 | 1 |

DWG NR / NAME:

42060 / Top roller bearing

BATCH NR:

PROJECT:
Shaft Ø60mm, Max working load 3000kg

REKV.NR / ORDRE NR:

DATE:
25-05-2009

NAME:
JR

SCALE / PAPER:
1:2 / A4

MATERIAL:
WEIGHT: g

LOCATION:

ORDRE DATO:

MODIFY DATE:
: /

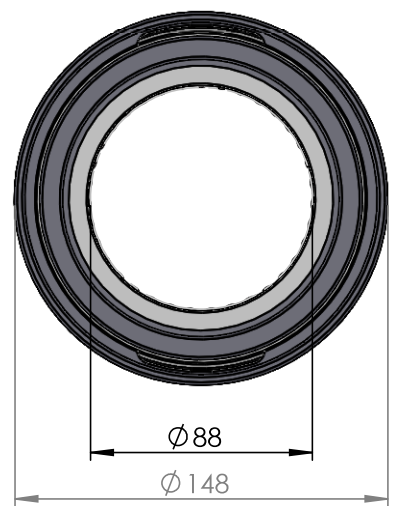
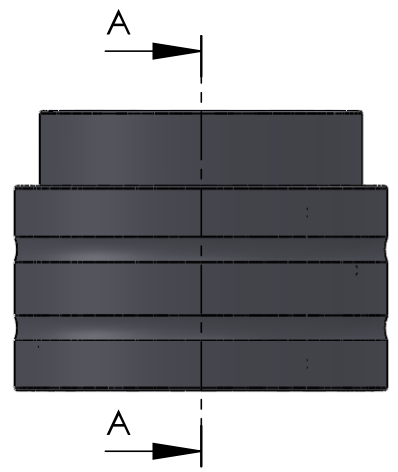
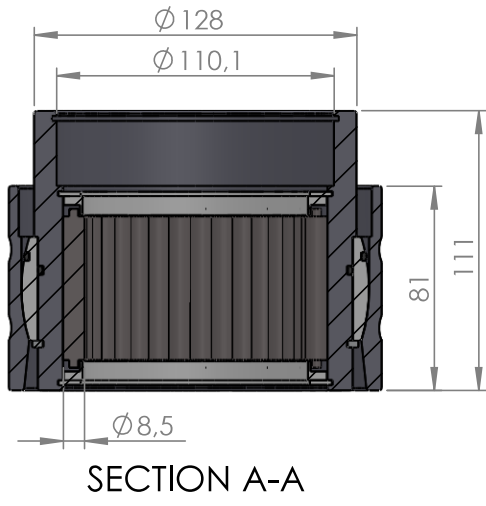
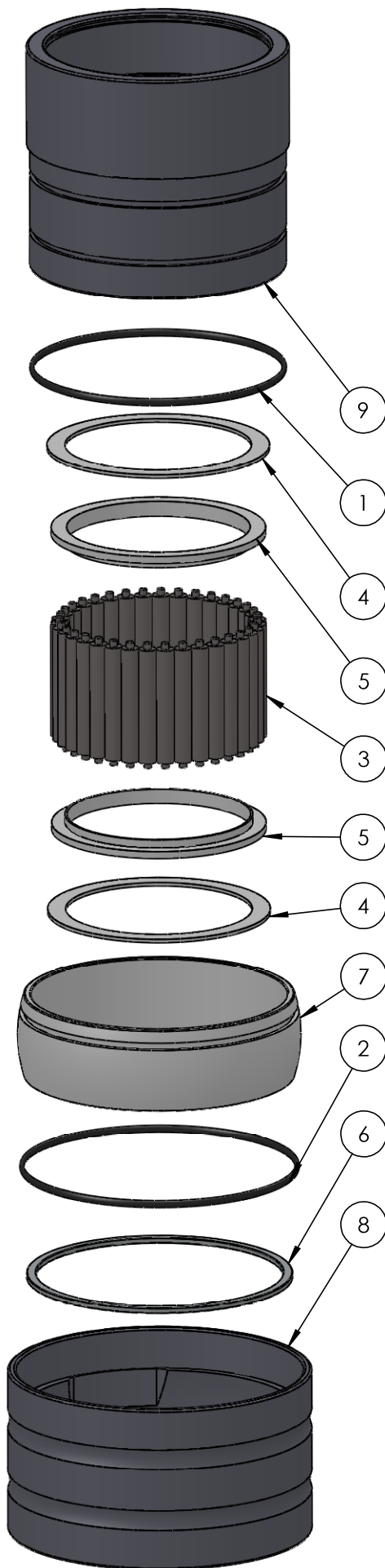
REV:

LEV.DATO:



JEFA MARINE A/S
NIMBUSVEJ 2
2670 GREVE, DENMARK

Tlf: +45 4615 5210 & Fax: +45 46155208
Email: info@jefa.com www.jefa.com



| ITEM NO. | PART NUMBER | PART NAME | QTY. |
|----------|-------------|---|------|
| 1 | | O-ring $\varnothing 123 \times 2.5$ | 1 |
| 2 | | O-ring $\varnothing 134 \times 2.5$ | 1 |
| 3 | M01-308 | Roller $\varnothing 8.5 \times 57\text{mm}$ | 35 |
| 4 | M03-220 | Lockring $\varnothing 91 \varnothing 109$ | 2 |
| 5 | M05-200 | L-ring $\varnothing 89 \varnothing 91.5 \varnothing 105$ | 2 |
| 6 | M09-110 | Alu lockring $\varnothing 120.5 \times \varnothing 129.5$ | 1 |
| 7 | M11-105 | Ball 4S080-4SF099 | 1 |
| 8 | M31-111 | Outer house 4S080-4S09699 | 1 |
| 9 | M35-109 | Inner house 4S080-4S089 | 1 |

DWG NR / NAME:

4S088 / Self-aligning lower bearing

BATCH NR:

PROJECT:
Shaft $\varnothing 88\text{mm}$, max working load 5600 kg

REKV.NR / ORDRE NR:

DATE:
08-09-2009
MODIFY DATE:

NAME:
JR

SCALE / PAPER:
1:3 / A4

MATERIAL:
WEIGHT: g

LOCATION:
REV:

ORDRE DATO:
LEV.DATO:



JEFA MARINE A/S
NIMBUSVEJ 2
2670 GREVE, DENMARK

Tlf: +45 4615 5210 & Fax: +45 4615 5208
Email: info@jefa.com www.jefa.com

: /