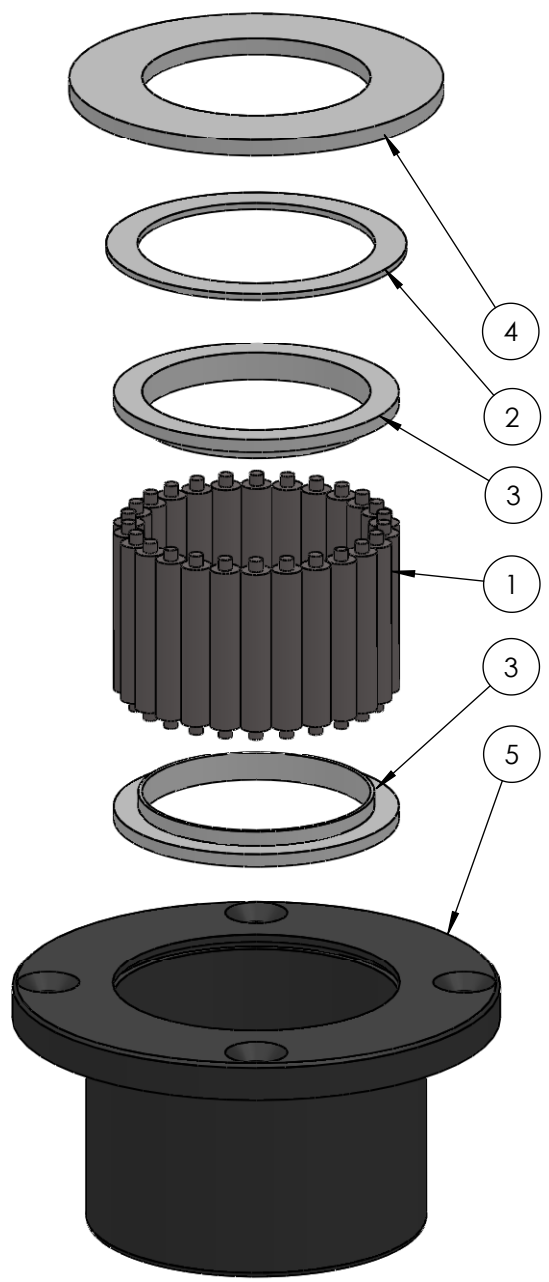
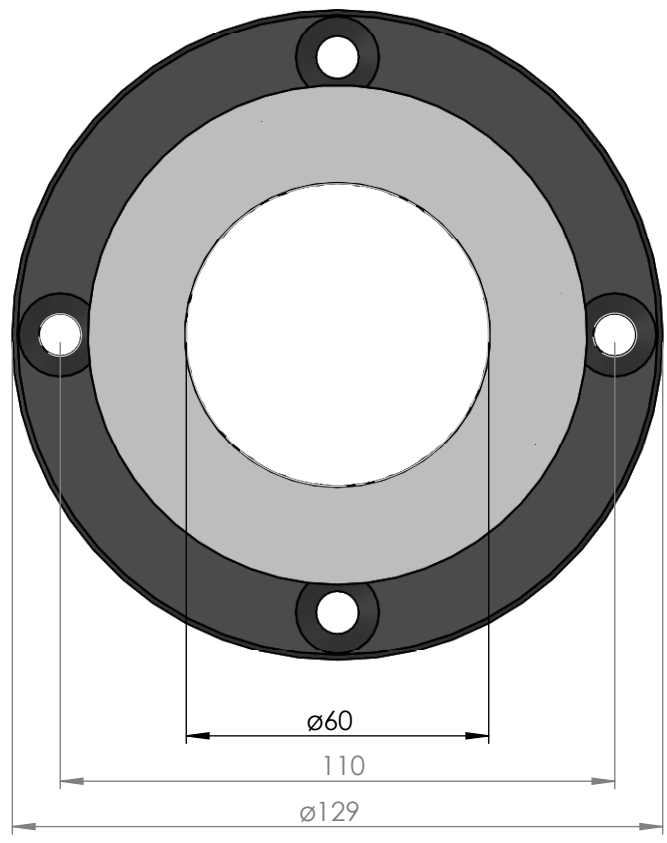


SECTION A-A
SCALE 1 : 1.5



ITEM NO.	PART NUMBER	PART NAME	EXPL /QTY
1	M01-201	Roller ø8 x 44mm	26
2	M03-203	Delrin Lockring ø79,5 x ø63 x 1,75mm	1
3	M05-152	L-ring ø60 x ø62.5 ø76	2
4	M07-131	Washer ø60.5 x ø99	1
5	M23-125	Top roller bearing ø50-ø60	1

DWG NR / NAME: 42060 / Top roller bearing

PROJECT: Shaft ø60mm, Max working load 3000kg

DATE: 25-05-2009
MODIFY DATE:

NAME: JR

SCALE / PAPER: 1:2 / A4

MATERIAL: g
WEIGHT:

LOCATION:
REV:

BATCH NR:

REKV.NR / ORDRE NR:

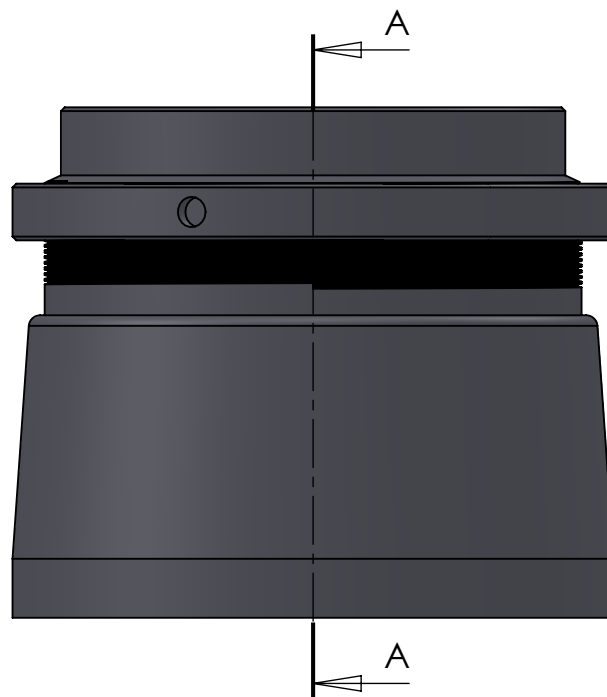
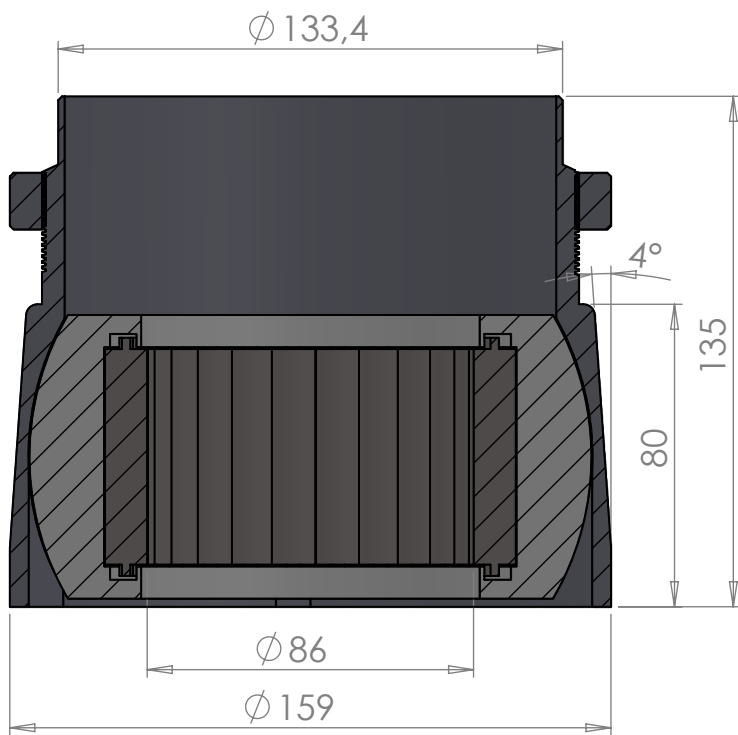
ORDRE DATO:

LEV.DATO:

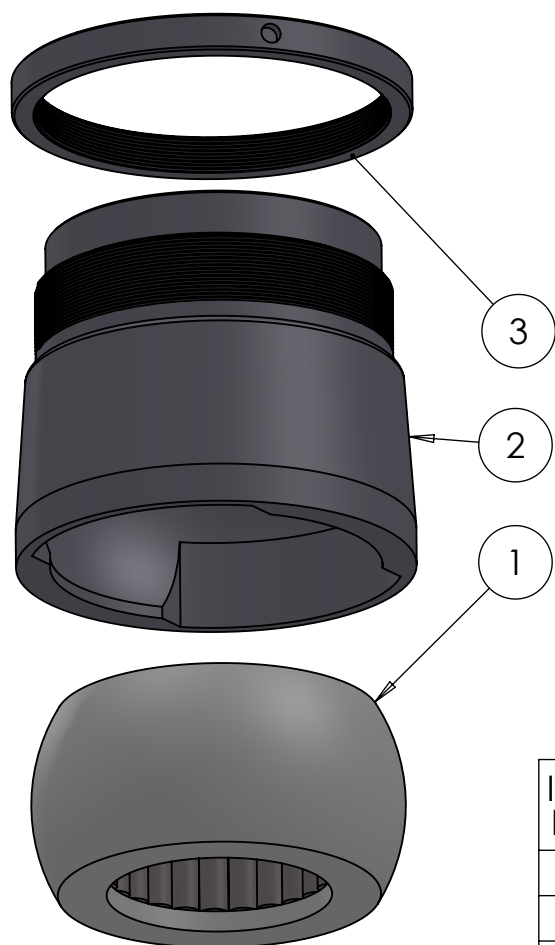
Jefa Rudder
SYSTEMS

JEFA MARINE A/S
NIMBUSVEJ 2
2670 GREVE, DENMARK

Tlf: +45 4615 5210 & Fax: +45 46155208
Email: info@jefa.com www.jefa.com



SECTION A-A
SCALE 1 : 2



ITEM NO.	PART NUMBER	PART NAME	QTY.
1	M13-401-86	Ball with rollers for 5BT086	1
2	M53-115	House for 5BT083-5BT115	1
3	M54-115	Nut M142x2	1

DWG NR / NAME:

5BT086 / Conical SA lower roller bearing

BATCH NR:

PROJECT:

For ø86mm shaft, max working load 4700 kg

REKV.NR / ORDRE NR:

DATE:

29.09.2011

NAME:

JR

SCALE / PAPER:

1:3 / A4

MATERIAL:

WEIGHT:

g

LOCATION:

REV:

ORDRE DATO:

LEV.DATO:

MODIFY DATE:

: /

Jefa Rudder
SYSTEMS

JEFA MARINE A/S
NIMBUSVEJ 2
2670 GREVE, DENMARK

Tlf: +45 4615 5210 & Fax: +45 46155208
Email: info@jefa.com www.jefa.com