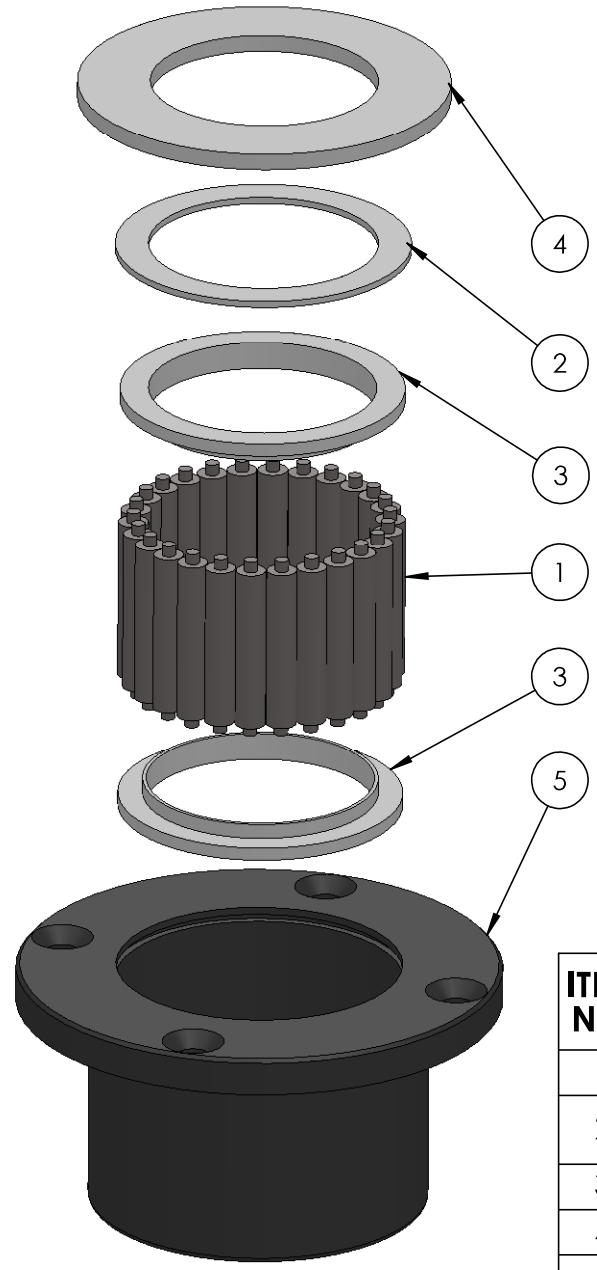
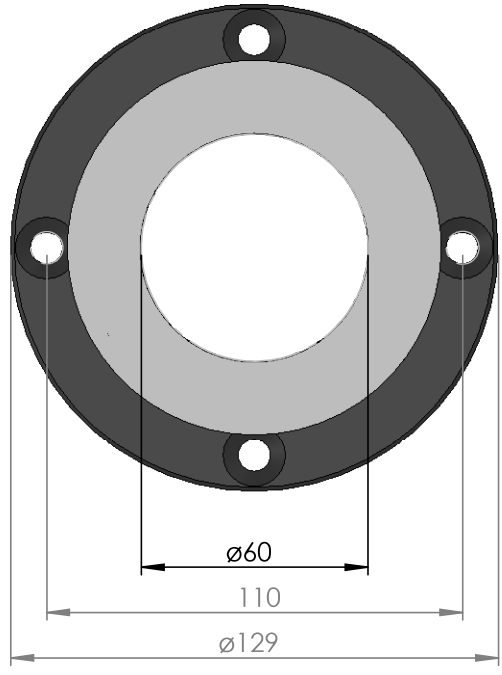


SECTION A-A



ITEM NO.	PART NUMBER	PART NAME	EXPL /QTY
1	M01-201	Roller $\varnothing 8 \times 44\text{mm}$	26
2	M03-201	Delrin Lockring $\varnothing 78,5 \times \varnothing 61 \times 1,75\text{mm}$	1
3	M05-152	L-ring $\varnothing 60 \times \varnothing 62,5 \varnothing 76$	2
4	M07-131	Washer $\varnothing 60,5 \times \varnothing 99$	1
5	M23-125	Top roller bearing $\varnothing 50-\varnothing 60$	1

DWG NR / NAME:

### 42060 / Top roller bearing

BATCH NR:

PROJECT:  
Shaft  $\varnothing 60\text{mm}$ , Max working load 3000kg

REKV.NR / ORDRE NR:

DATE:  
25-05-2009

NAME:  
JR

SCALE / PAPER:  
1:2 / A4

MATERIAL:  
WEIGHT: g

LOCATION:

ORDRE DATO:

MODIFY DATE:  
: /

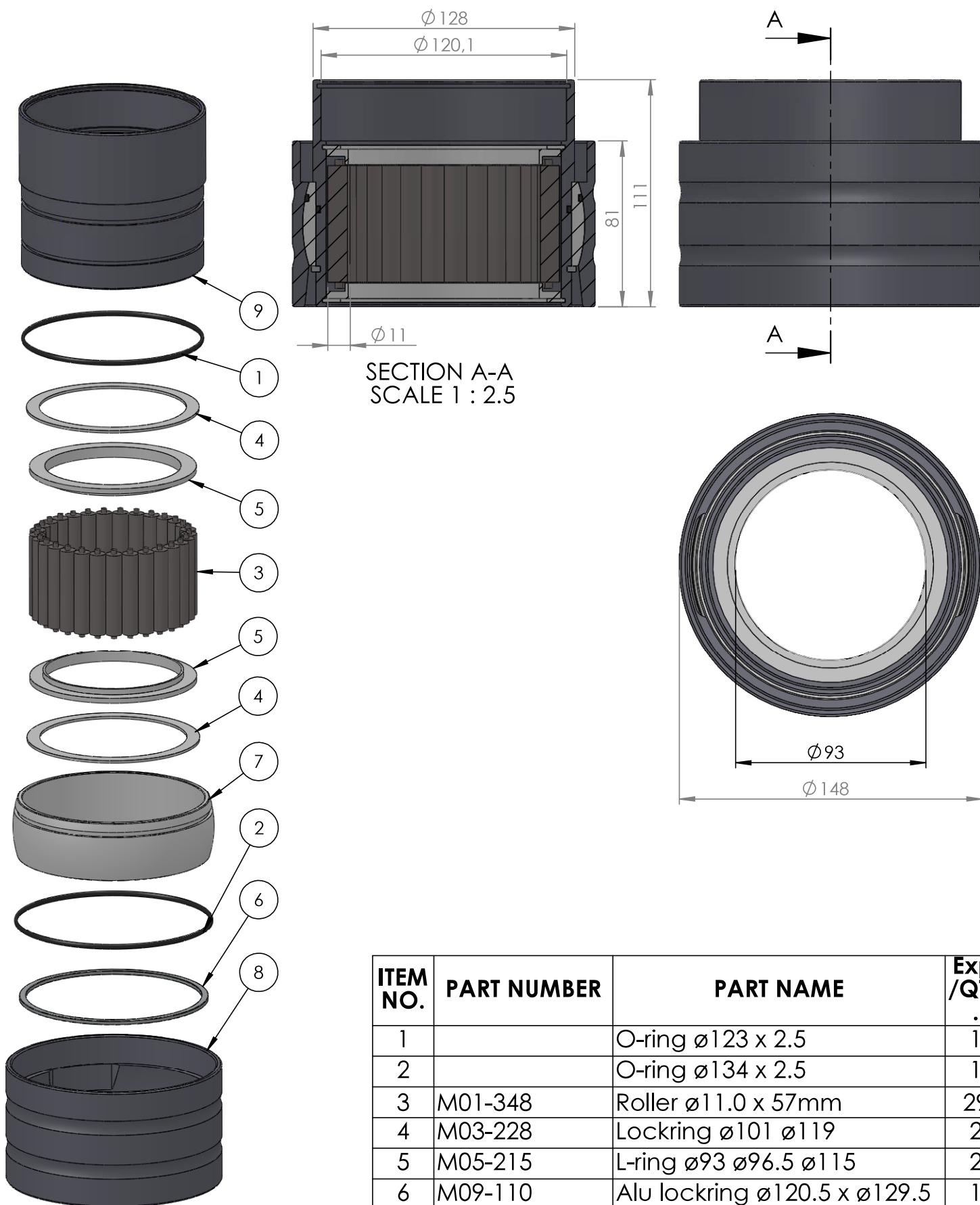
REV:

LEV.DATO:



JEFA MARINE A/S  
NIMBUSVEJ 2  
2670 GREVE, DENMARK

Tlf: +45 4615 5210 & Fax: +45 46155208  
Email: info@jefa.com www.jefa.com



ITEM NO.	PART NUMBER	PART NAME	Expl / QTY
1		O-ring $\phi 123 \times 2.5$	1
2		O-ring $\phi 134 \times 2.5$	1
3	M01-348	Roller $\phi 11.0 \times 57\text{mm}$	29
4	M03-228	Lockring $\phi 101 \phi 119$	2
5	M05-215	L-ring $\phi 93 \phi 96.5 \phi 115$	2
6	M09-110	Alu lockring $\phi 120.5 \times \phi 129.5$	1
7	M11-105	Ball 4S080-4SF099	1
8	M31-111	Outer house 4S080-4S09699	1
9	M35-111	Inner house 4S090-4S099	1

DWG NR / NAME:

**4S093 / Self-aligning lower bearing**

BATCH NR:

PROJECT:

Shaft  $\phi 93\text{mm}$ , max working load 6200 kg

REKV.NR / ORDRE NR:

DATE:

08-09-2009

NAME:

JR

SCALE / PAPER:

1:3.5 / A4

MATERIAL:

WEIGHT:

g

LOCATION:

REV:

ORDRE DATO:

LEV.DATO:

*Jefa Rudder*  
SYSTEMS

JEFA MARINE A/S  
NIMBUSVEJ 2  
2670 GREVE, DENMARK

Tlf: +45 4615 5210 & Fax: +45 4615 5208  
Email: info@jefa.com www.jefa.com

: /