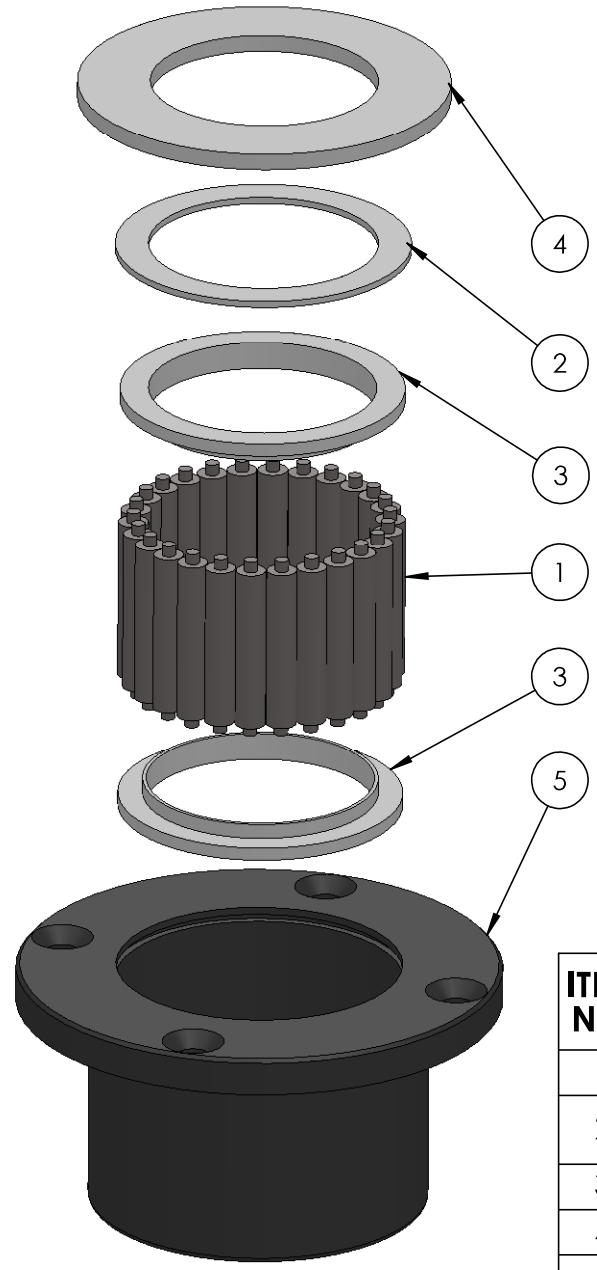
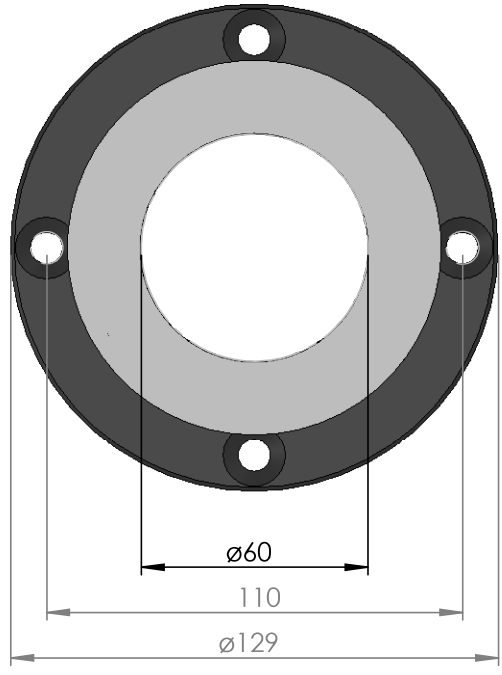


SECTION A-A



| ITEM NO. | PART NUMBER | PART NAME | EXPL /QTY |
|----------|-------------|---|-----------|
| 1 | M01-201 | Roller $\varnothing 8 \times 44\text{mm}$ | 26 |
| 2 | M03-201 | Delrin Lockring $\varnothing 78,5 \times \varnothing 61 \times 1,75\text{mm}$ | 1 |
| 3 | M05-152 | L-ring $\varnothing 60 \times \varnothing 62,5 \varnothing 76$ | 2 |
| 4 | M07-131 | Washer $\varnothing 60,5 \times \varnothing 99$ | 1 |
| 5 | M23-125 | Top roller bearing $\varnothing 50-\varnothing 60$ | 1 |

DWG NR / NAME:

42060 / Top roller bearing

BATCH NR:

PROJECT:
Shaft $\varnothing 60\text{mm}$, Max working load 3000kg

REKV.NR / ORDRE NR:

DATE:
25-05-2009

NAME:
JR

SCALE / PAPER:
1:2 / A4

MATERIAL:
WEIGHT: g

LOCATION:

ORDRE DATO:

MODIFY DATE:
: /

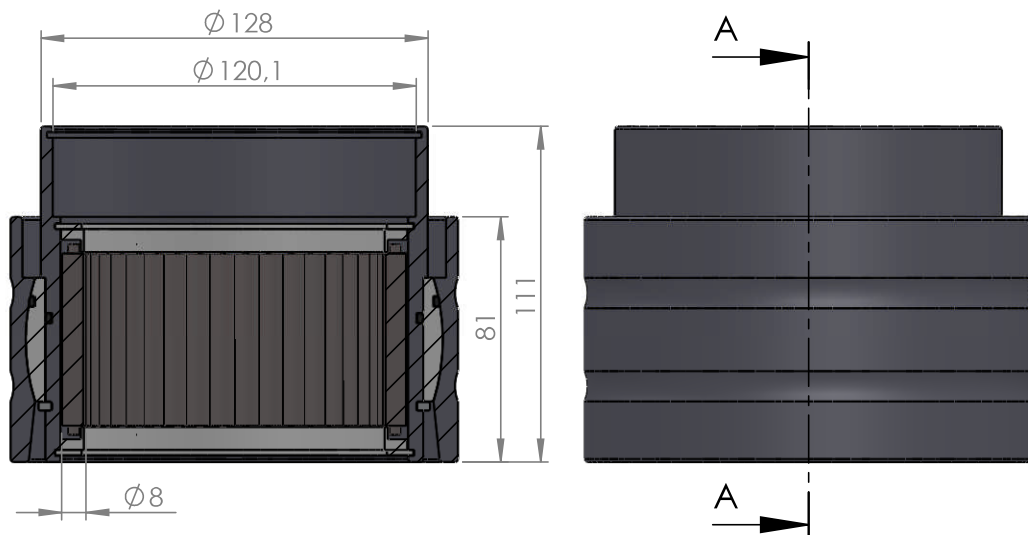
REV:

LEV.DATO:

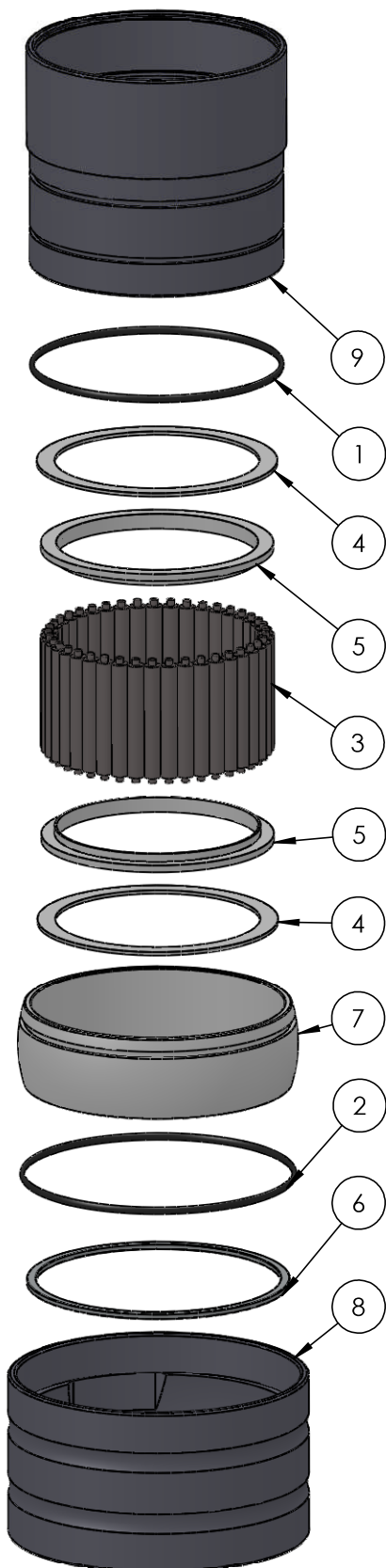


JEFA MARINE A/S
NIMBUSVEJ 2
2670 GREVE, DENMARK

Tlf: +45 4615 5210 & Fax: +45 4615 5208
Email: info@jefa.com www.jefa.com



SECTION A-A
SCALE 1 : 2.5



| ITEM NO. | PART NUMBER | PART NAME | QTY. |
|----------|-------------|---|------|
| 1 | | O-ring $\varnothing 123 \times 2.5$ | 1 |
| 2 | | O-ring $\varnothing 134 \times 2.5$ | 1 |
| 3 | M01-301 | Roller $\varnothing 8.0 \times 57\text{mm}$ | 41 |
| 4 | M03-228 | Lockring $\varnothing 101 \varnothing 119$ | 2 |
| 5 | M05-233 | L-ring $\varnothing 99 \varnothing 101.5 \varnothing 115$ | 2 |
| 6 | M09-110 | Alu lockring $\varnothing 120.5 \times \varnothing 129.5$ | 1 |
| 7 | M11-105 | Ball 4S080-4SF099 | 1 |
| 8 | M31-111 | Outer house 4S080-4S09699 | 1 |
| 9 | M35-111 | Inner house 4S090-4S099 | 1 |

DWG NR / NAME:

4S099 / Self-aligning lower bearing

BATCH NR:

PROJECT:

Shaft $\varnothing 99\text{mm}$, max working load 6200 kg

REKV.NR / ORDRE NR:

DATE:

08-09-2009

NAME:

JR

SCALE / PAPER:

1:3.5 / A4

MATERIAL:

WEIGHT:

g

LOCATION:

REV:

ORDRE DATO:

LEV.DATO:

Jefa Rudder
SYSTEMS

JEFA MARINE A/S
NIMBUSVEJ 2
2670 GREVE, DENMARK

Tlf: +45 4615 5210 & Fax: +45 4615 5208
Email: info@jefa.com www.jefa.com

: /