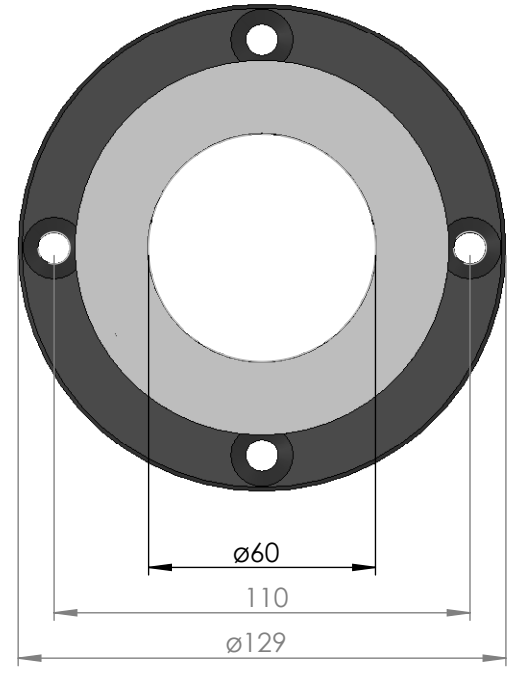
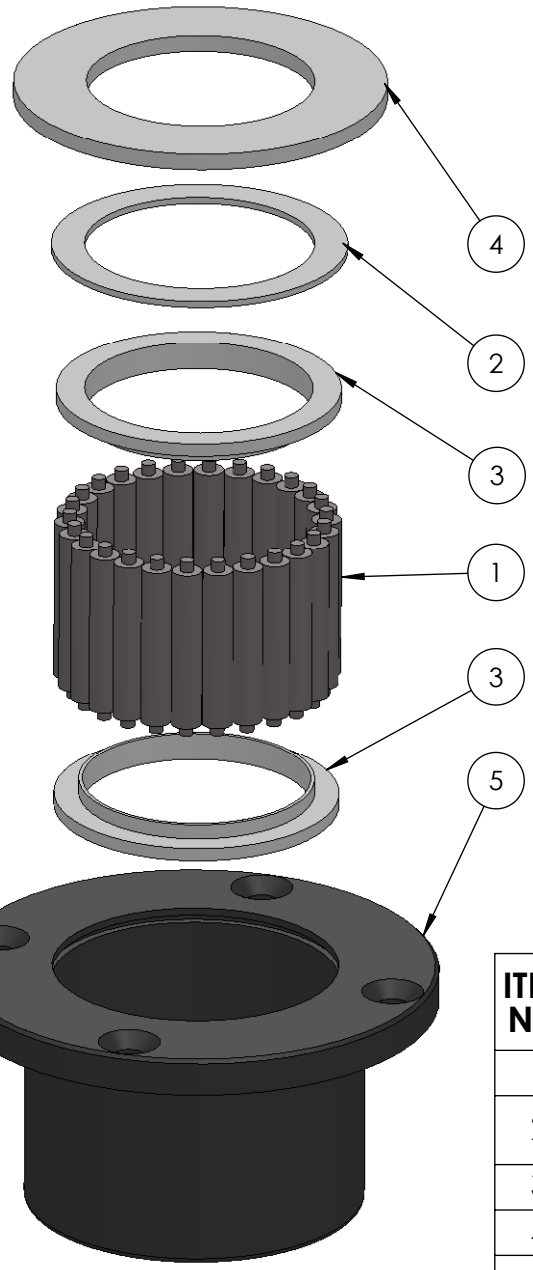
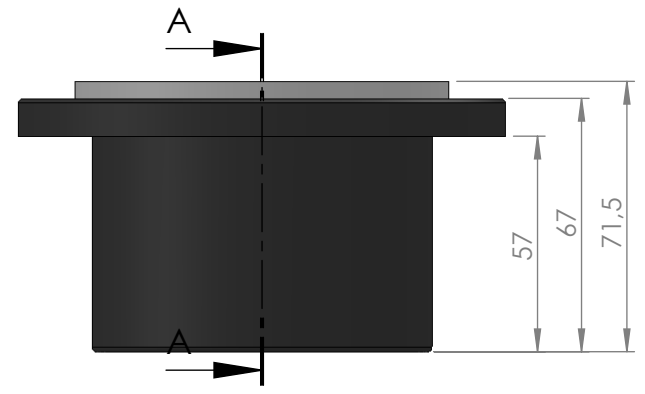


SECTION A-A



ITEM NO.	PART NUMBER	PART NAME	EXPL /QTY
1	M01-201	Roller ø8 x 44mm	26
2	M03-201	Delrin Lockring ø78,5 x ø61 x 1,75mm	1
3	M05-152	L-ring ø60 x ø62.5 ø76	2
4	M07-131	Washer ø60.5 x ø99	1
5	M23-125	Top roller bearing ø50-ø60	1

DWG NR / NAME:

42060 / Top roller bearing

BATCH NR:

PROJECT: Shaft ø60mm, Max working load 3000kg

REKV.NR / ORDRE NR:

DATE: 25-05-2009

NAME: JR

SCALE / PAPER: 1:2 / A4

MATERIAL: WEIGHT: g

LOCATION:

ORDRE DATO:

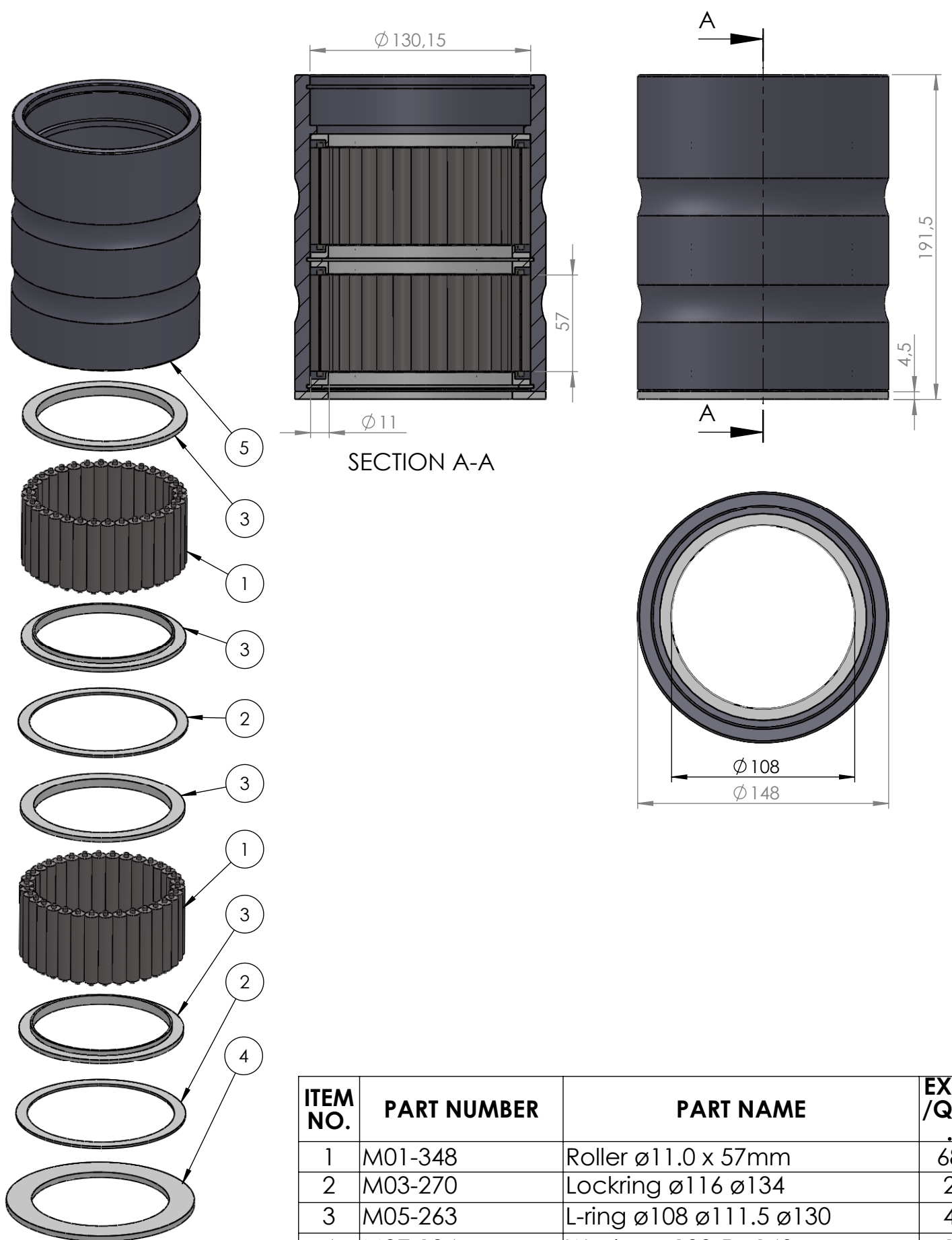
MODIFY DATE: : /

REV:

LEV.DATO:



JEFA MARINE A/S
 NIMBUSVEJ 2
 2670 GREVE, DENMARK
 Tlf: +45 4615 5210 & Fax: +45 46155208
 Email: info@jefa.com www.jefa.com



ITEM NO.	PART NUMBER	PART NAME	EXPL /QTY
1	M01-348	Roller $\varnothing 11.0 \times 57\text{mm}$	68
2	M03-270	Lockring $\varnothing 116 \varnothing 134$	2
3	M05-263	L-ring $\varnothing 108 \varnothing 111.5 \varnothing 130$	4
4	M07-194	Washer $\varnothing 108.5 \varnothing 148$	1
5	M21-117	Rollerbearing $\varnothing 105 - \varnothing 114\text{mm}$	1

DWG NR / NAME: **41108 / Lower roller bearing**

PROJECT: Shaft $\varnothing 108\text{mm}$, Max working load 14000kg

DATE: 23-06-2009
 NAME: JR
 SCALE / PAPER: 1:3 / A4
 MATERIAL: g
 LOCATION:
 WEIGHT: g
 REV:

BATCH NR:
 REKV.NR / ORDRE NR:
 ORDRE DATO:
 LEV.DATO:

Jefa Rudder
 SYSTEMS
 JEFA MARINE A/S
 NIMBUSVEJ 2
 2670 GREVE. DENMARK
 Tlf: +45 4615 5210 & Fax: +45 46155208
 Email: info@jefa.com www.jefa.com

: /