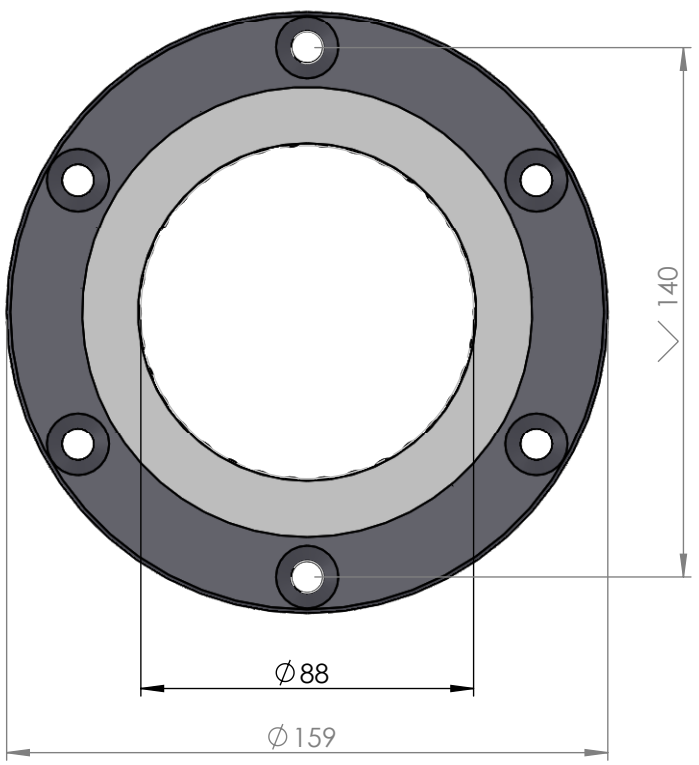
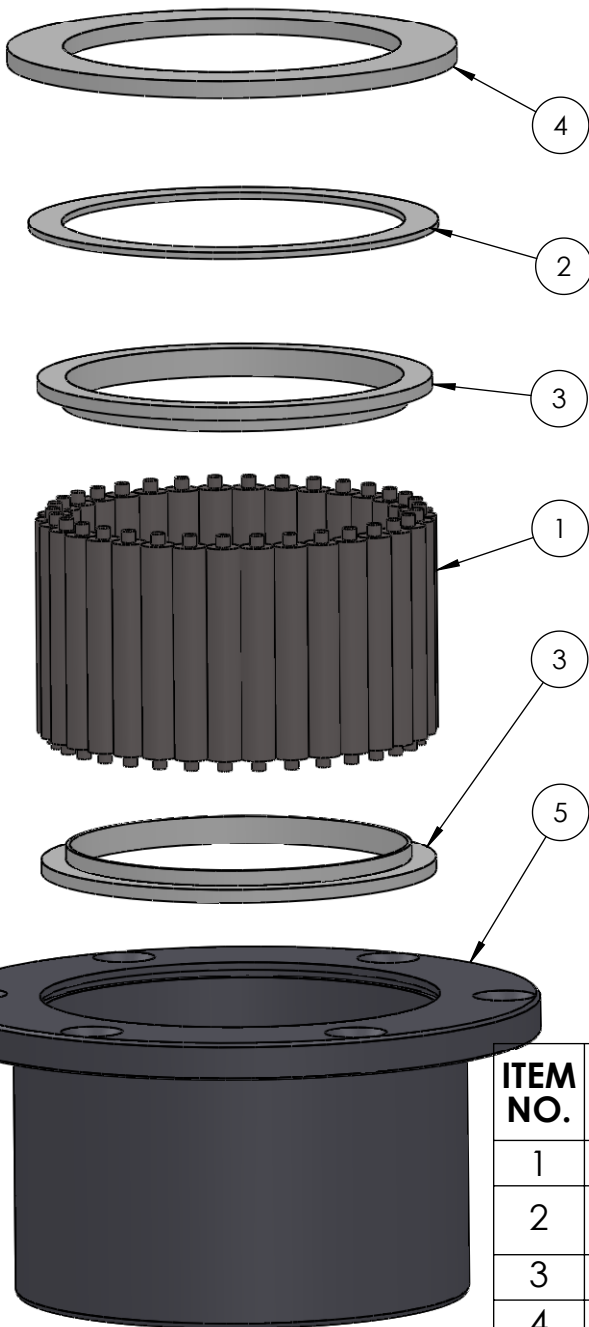
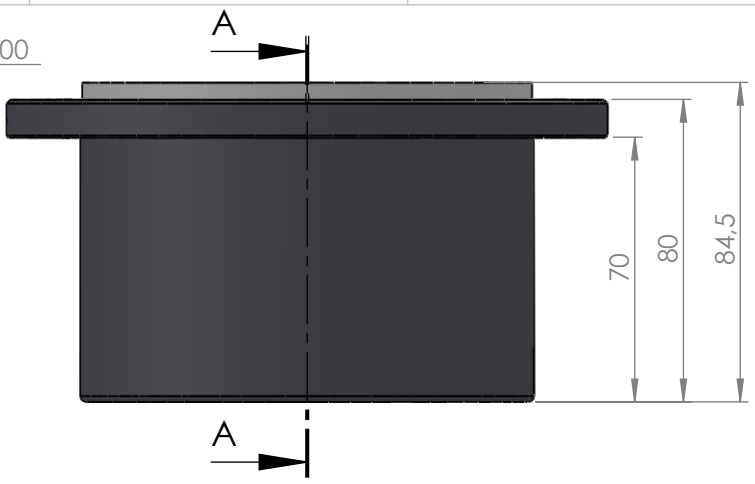


SECTION A-A



ITEM NO.	PART NUMBER	PART NAME	EXPL /QTY
1	M01-316	Roller $\varnothing 9.0 \times 57\text{mm}$	34
2	M03-220	Delrin Lockring $\varnothing 108,5 \times \varnothing 91 \times 1,75\text{mm}$	1
3	M05-200	L-ring $\varnothing 89 \varnothing 91.5 \varnothing 105$	2
4	M07-170	Washer $\varnothing 89.5 \varnothing 119$	1
5	M23-140	Top roller bearing $\varnothing 80-\varnothing 90$	1

DWG NR / NAME: **42088 / Top roller bearing**

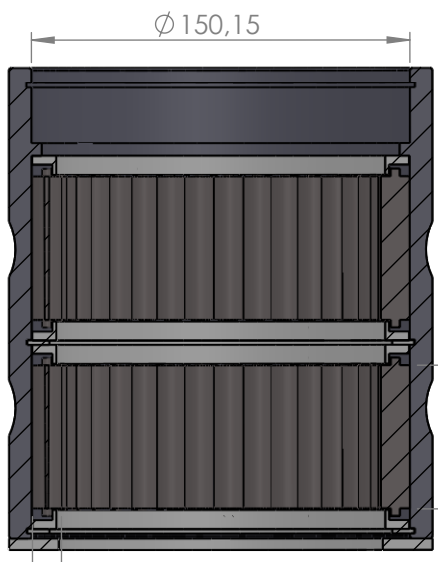
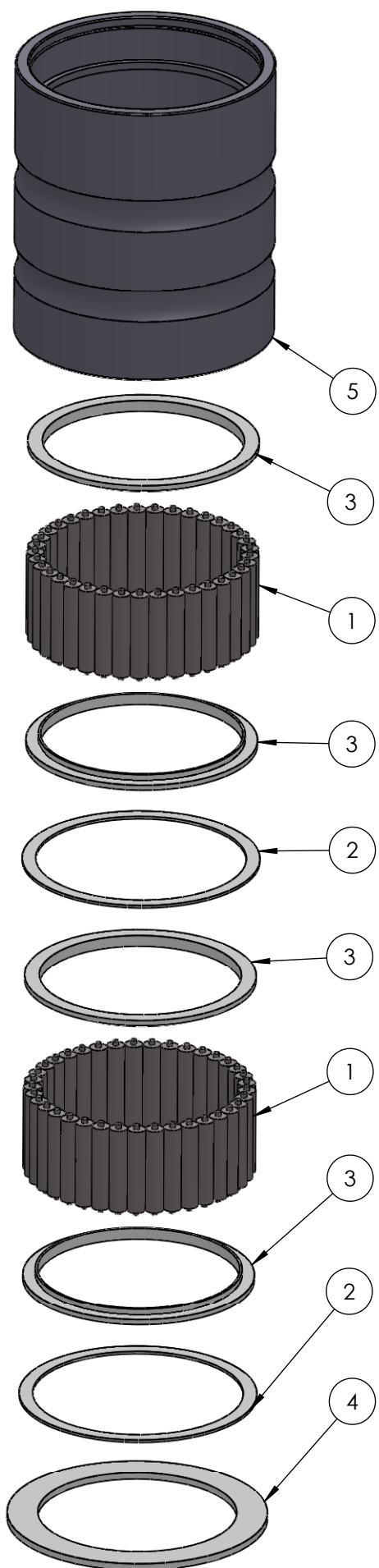
PROJECT: Shaft  $\varnothing 8\text{mm}$ , max working load 5700kg

DATE: 28-05-2009 NAME: JR SCALE / PAPER: 1:2 / A4 MATERIAL: WEIGHT: g LOCATION: ORDRE DATO:

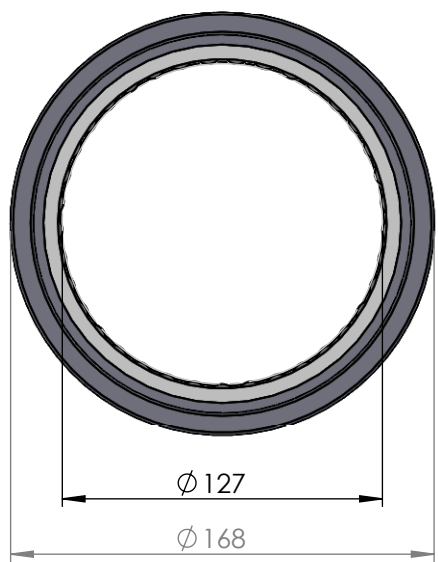
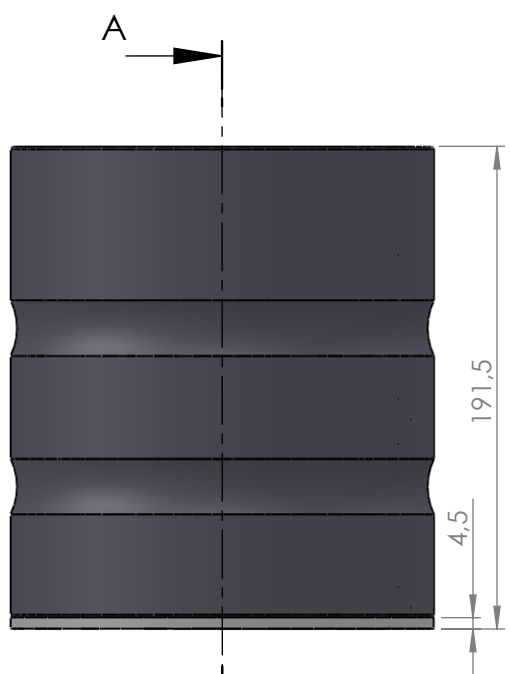
MODIFY DATE: : / REV: LEV.DATO:

BATCH NR:  
REKV.NR / ORDRE NR:  
ORDRE DATO:  
LEV.DATO:

*Jefa Rudder*  
SYSTEMS  
JEFA MARINE A/S  
NIMBUSVEJ 2  
2670 GREVE, DENMARK  
Tlf: +45 4615 5210 & Fax: +45 46155208  
Email: info@jefa.com www.jefa.com



SECTION A-A



ITEM NO.	PART NUMBER	PART NAME	EXPL /QTY
1	M01-356	Roller $\varnothing 11.5 \times 57\text{mm}$	74
2	M03-290	Lockring $\varnothing 136 \varnothing 154$	2
3	M05-314	L-ring $\varnothing 130 \varnothing 133.5 \varnothing 150$	4
4	M07-218	Washer $\varnothing 128.5 \varnothing 168$	1
5	M21-121	Rollerbearing $\varnothing 125 - \varnothing 134\text{mm}$	1

DWG NR / NAME:

**41127 / Lower roller bearing**

BATCH NR:

PROJECT: Shaft  $\varnothing 127\text{mm}$ , Max working load 16600kg

REKV.NR / ORDRE NR:

DATE: 30-06-2009

NAME: JR

SCALE / PAPER: 1:3 / A4

MATERIAL: WEIGHT: g

LOCATION:

ORDRE DATO:

MODIFY DATE: : /

REV:

LEV.DATO:

*Jefa Rudder*  
SYSTEMS

JEFA MARINE A/S  
NIMBUSVEJ 2  
2670 GREVE. DENMARK

Tlf: +45 4615 5210 & Fax: +45 46155208  
Email: info@jefa.com www.jefa.com