

A

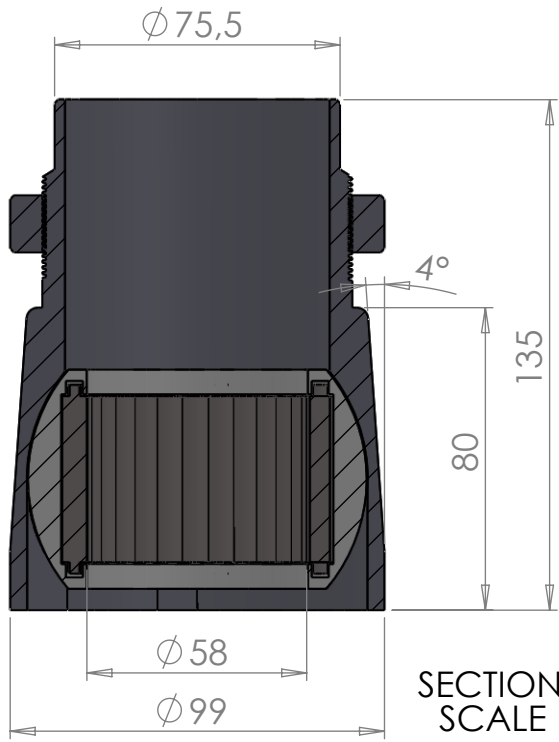
B

C

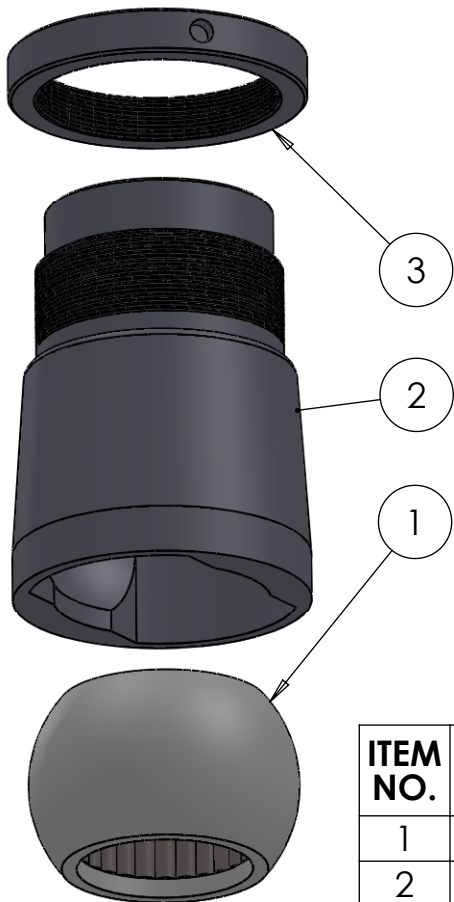
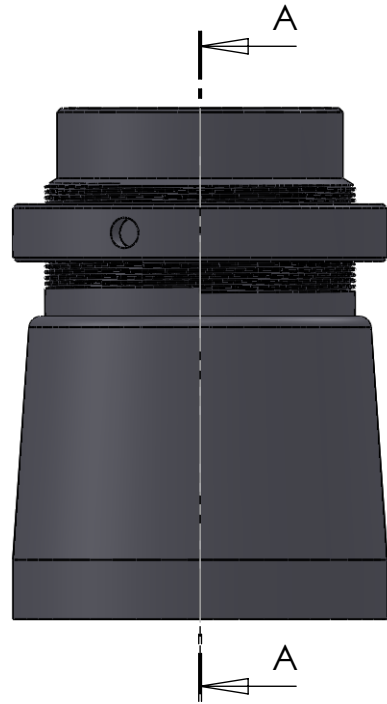
D

E

F



SECTION A-A  
SCALE 1 : 2



ITEM NO.	PART NUMBER	PART NAME	QTY.
1	M13-163-58	Ball with Rollers for 5T058	1
2	M53-105	House for 5BT046-5BT060	1
3	M54-105	Nut M82x2	1

DWG NR / NAME: **5BT058 / Conical SA lower roller bearing**

PROJECT: For ø58mm shaft, max working load 1900 kg

DATE: 29.09.2011  
 NAME: JR  
 SCALE / PAPER: 1:2.5 / A4  
 MATERIAL: g  
 WEIGHT: g

LOCATION:  
 REV:  
 ORDRE DATO:  
 LEV.DATO:

BATCH NR:  
 REKV.NR / ORDRE NR:

*Jefa Rudder*  
 SYSTEMS  
 JEFA MARINE A/S  
 NIMBUSVEJ 2  
 2670 GREVE, DENMARK  
 Tlf: +45 4615 5210 & Fax: +45 46155208  
 Email: info@jefa.com www.jefa.com

: /