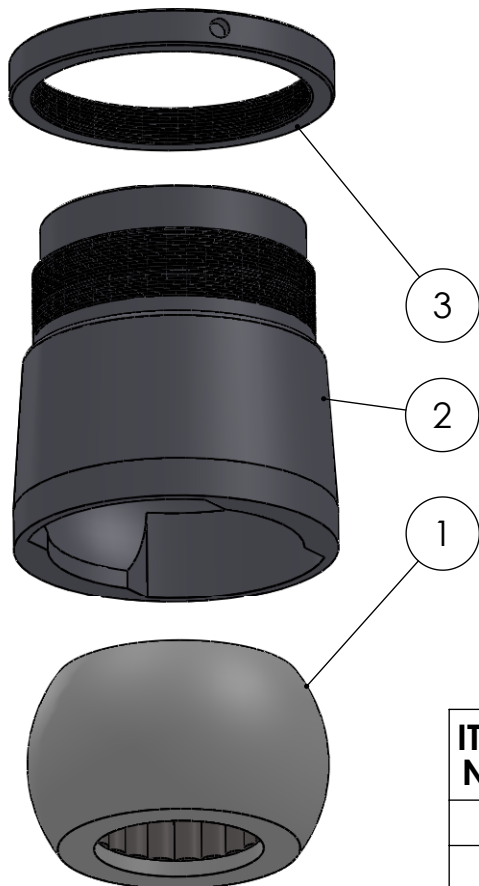


SECTION A-A
SCALE 1 : 2



ITEM NO.	PART NUMBER	PART NAME	QTY.
1	M13-214-64	Ball with Rollers for 5BT064	1
2	M53-110	House for 5BT061-5BT082	1
3	M54-110	Nut M11x2	1

DWG NR / NAME:

5BT064 / Conical SA lower roller bearing

PROJECT:

For $\varnothing 64$ mm shaft, max working load 3400 kg

DATE:
29.09.2011

NAME:
JR

SCALE / PAPER:
1:3 / A4

MATERIAL:
WEIGHT:

g

LOCATION:

REV:

BATCH NR:

REKV.NR / ORDRE NR:

ORDRE DATO:

LEV.DATO:

Jefa Rudder
SYSTEMS

JEFA MARINE A/S
NIMBUSVEJ 2
2670 GREVE. DENMARK

Tlf: +45 4615 5210 & Fax: +45 46155208
Email: info@jefa.com www.jefa.com

: /