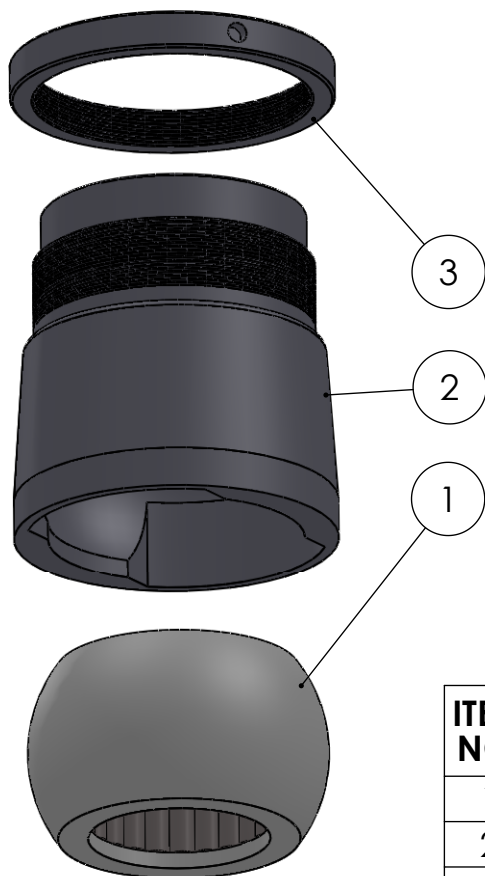
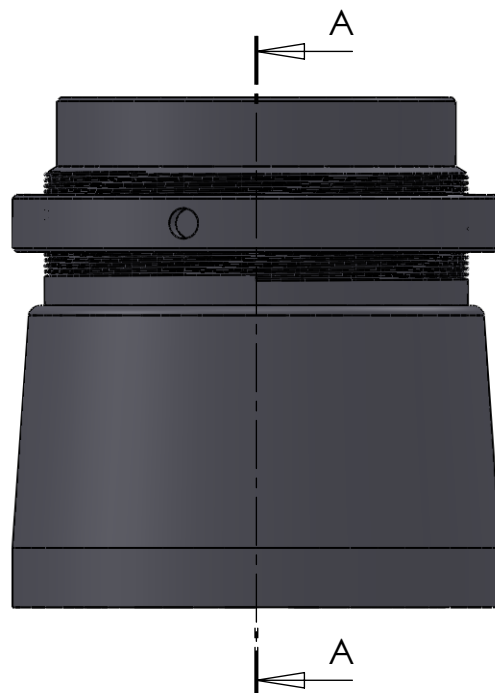


SECTION A-A  
SCALE 1 : 2



ITEM NO.	PART NUMBER	PART NAME	QTY.
1	M13-219-74	Ball with Rollers for 5BT074	1
2	M53-110	House for 5BT061-5BT082	1
3	M54-110	Nut M112x2	1

DWG NR / NAME:

## 5BT074 / Conical SA lower roller bearing

PROJECT:

For  $\varnothing 74$ mm shaft, max working load 3400 kg

DATE:

29.09.2011

NAME:

JR

SCALE / PAPER:

1:3 / A4

MATERIAL:

WEIGHT:

g

LOCATION:

REV:

BATCH NR:

REKV.NR / ORDRE NR:

ORDRE DATO:

LEV.DATO:

*Jefa Rudder*  
SYSTEMS

JEFA MARINE A/S  
NIMBUSVEJ 2  
2670 GREVE, DENMARK

Tlf: +45 4615 5210 & Fax: +45 46155208  
Email: info@jefa.com www.jefa.com

: /added by Armin 28-5-2015