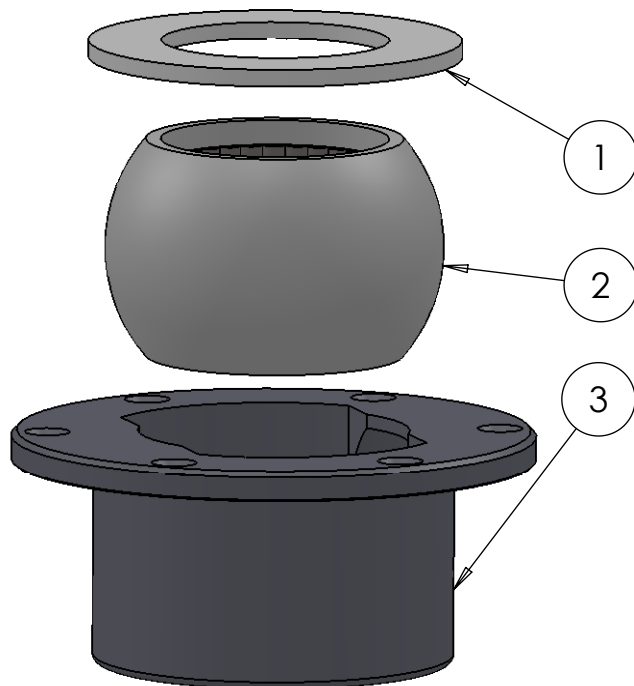



SECTION A-A
SCALE 1 : 1.25



ITEM NO.	PART NUMBER	PART NAME	Default/ QTY.
1	M07-131	Washer $\phi 60.5 \times \phi 99$	1
2	M13-165-60	Ball with Rollers for 5T060	1
3	M51-101	House for 5T045-5T060	1

DWG NR / NAME: 5T060 / S-A top Roller bearing $\phi 60\text{mm}$				BATCH NR:		 Jefa Rudder SYSTEMS
PROJECT: Shaft $\phi 60\text{mm}$, max working load 2500 kg				REKV.NR / ORDRE NR:		
DATE: 07-01-2011	NAME: JR	SCALE / PAPER: 1:2 / A4	MATERIAL: WEIGHT: g	LOCATION:	ORDRE DATO:	
MODIFY DATE: : /				REV:	LEV.DATO:	
						JEFA MARINE A/S NIMBUSVEJ 2 2670 GREVE. DENMARK Tlf: +45 4615 5210 & Fax: +45 46155208 Email: info@jefa.com www.jefa.com