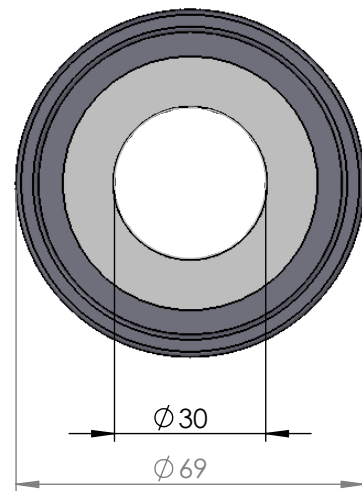
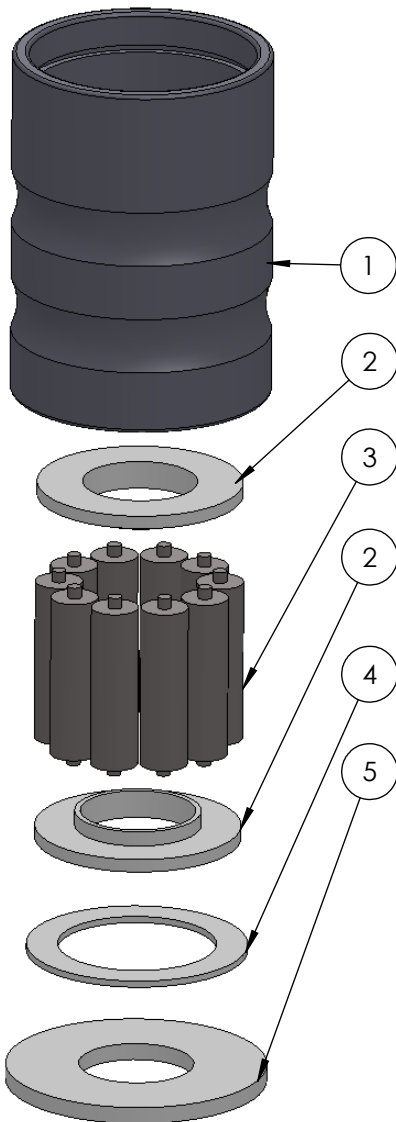
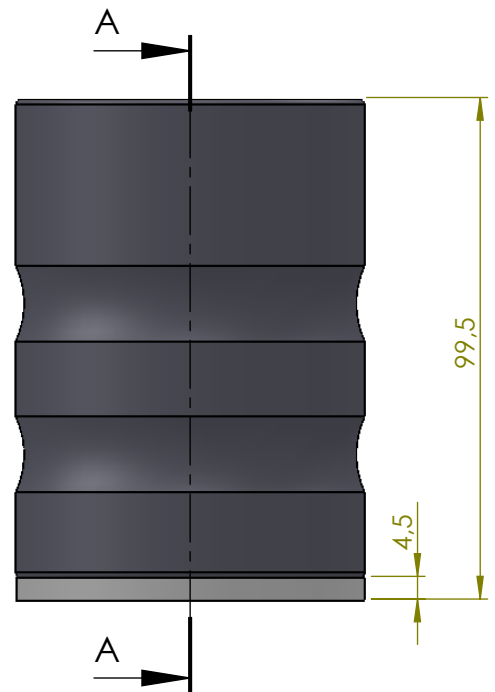


SECTION A-A
SCALE 1 : 1.5



ITEM NO.	PART NUMBER	PART NAME	EXPL /QTY
1	M21-101	Bearing House 41030-41039	1
2	M05-098	L-ring ø30 x ø55	2
3	M01-272	Roller ø12,5 x 44mm	10
4	M03-189	Delrin Lockring ø58,5 x ø42 x 1,75mm	1
5	M07-098	Washer ø30,5 ø69	1

DWG NR / NAME:

41030 / Lower roller bearing

BATCH NR:

PROJECT:

Shaft ø30mm, Max working load 2000kg

REKV.NR / ORDRE NR:

DATE:
04-06-2009

NAME:
JR

SCALE / PAPER:
1:2 / A4

MATERIAL:
WEIGHT: g

LOCATION:

ORDRE DATO:

MODIFY DATE:

: /

REV:

LEV.DATO:

Jefa Rudder
SYSTEMS

JEFA MARINE A/S
NIMBUSVEJ 2
2670 GREVE, DENMARK

Tlf: +45 4615 5210 & Fax: +45 46155208
Email: info@jefa.com www.jefa.com