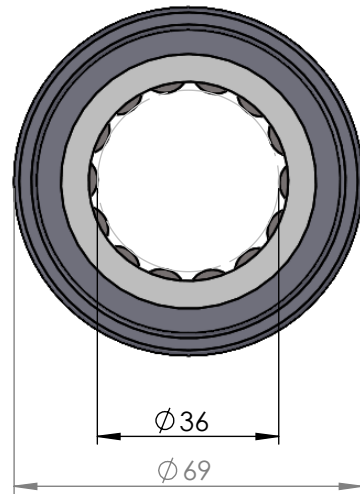
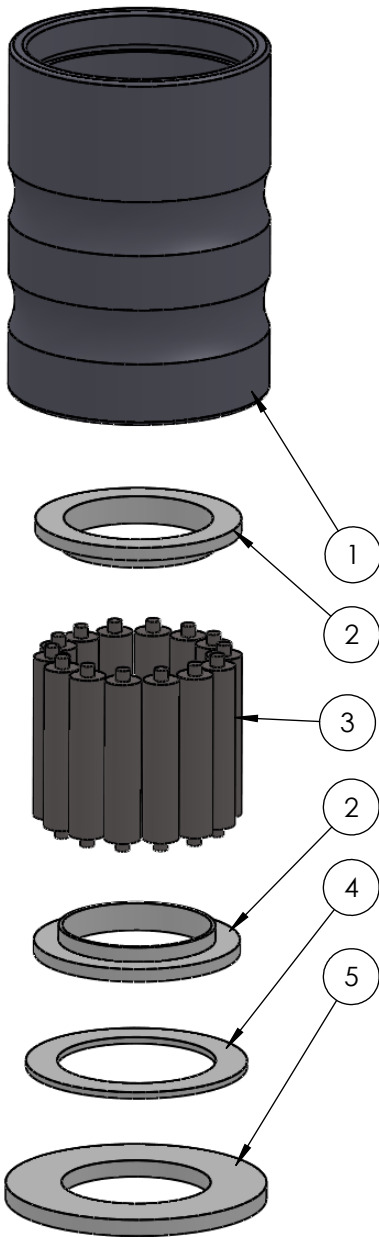
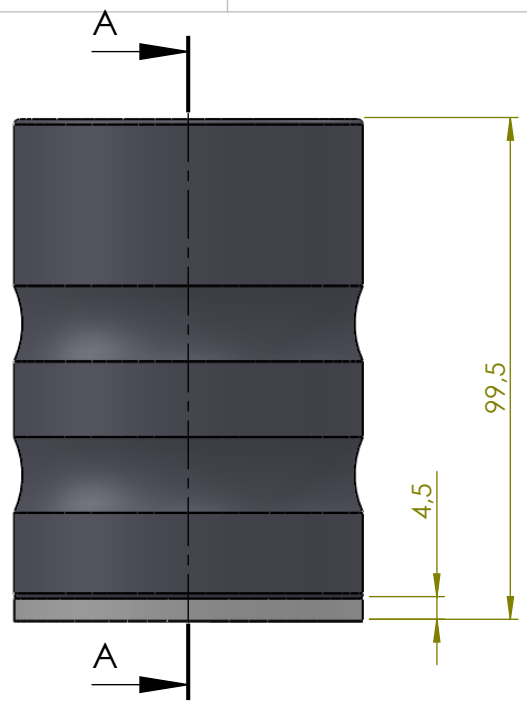


SECTION A-A  
SCALE 1 : 1.5



ITEM NO.	PART NUMBER	PART NAME	EXPL /QTY
1	M21-101	Bearing House 41030-41039	1
2	M05-104	L-ring $\phi 39$ $\phi 41.5$ $\phi 55$	2
3	M01-224	Roller $\phi 9.5$ x 44mm	14
4	M03-189	Delrin Lockring $\phi 58,5$ x $\phi 42$ x 1,75mm	1
5	M07-104	Washer $\phi 39.5$ x $\phi 69$	1

DWG NR / NAME:

## 41036 / Lower roller bearing

BATCH NR:

PROJECT:  
shaft  $\phi 36$ mm, max working load 2000kg

REKV.NR / ORDRE NR:

DATE: 04-06-2009  
NAME: JR  
SCALE / PAPER: 1:2 / A4

MATERIAL: g  
WEIGHT:

LOCATION:

ORDRE DATO:

MODIFY DATE:

REV:

LEV.DATO:

*Jefa Rudder*  
SYSTEMS

JEFA MARINE A/S  
NIMBUSVEJ 2  
2670 GREVE, DENMARK

Tlf: +45 4615 5210 & Fax: +45 4615 5208  
Email: info@jefa.com www.jefa.com

: /