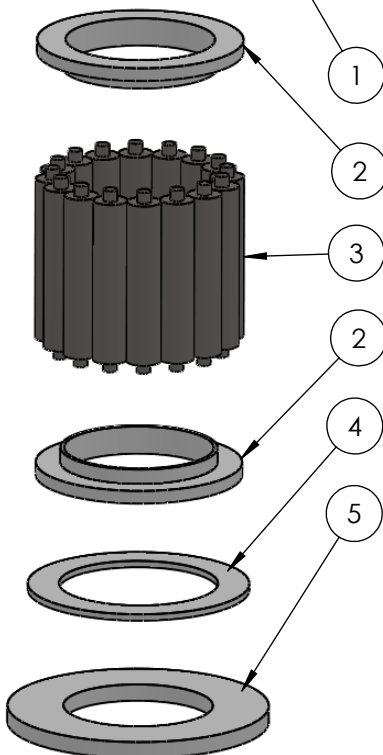
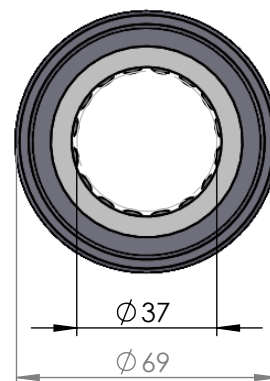
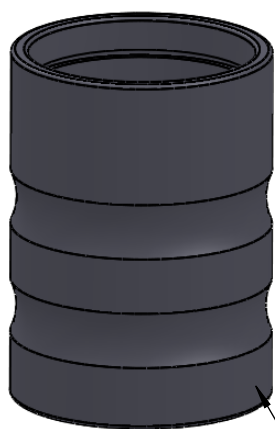
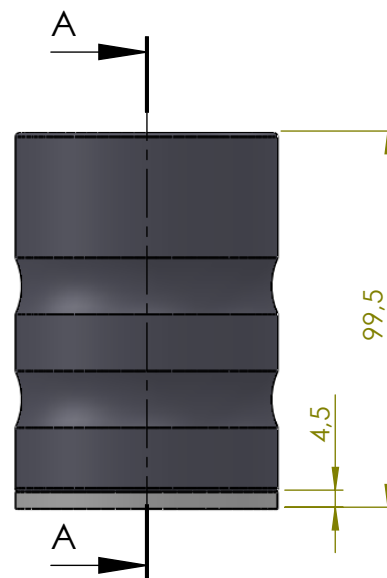


SECTION A-A



ITEM NO.	PART NUMBER	PART NAME	EXPL /QTY
1	M21-101	Bearing House 41030-41039	1
2	M05-104	L-ring $\phi 39$ $\phi 41.5$ $\phi 55$	2
3	M01-216	Roller $\phi 9$ x 44mm	16
4	M03-189	Delrin Lockring $\phi 58,5$ x $\phi 42$ x 1,75mm	1
5	M07-104	Washer $\phi 39.5$ x $\phi 69$	1

DWG NR / NAME:

41037 / Lower roller bearing

BATCH NR:

PROJECT:

Shaft $\phi 37$ mm, max working load 2000kg

REKV.NR / ORDRE NR:

DATE:
04-06-2009NAME:
JRSCALE / PAPER:
1:2 / A4MATERIAL:
WEIGHT: g

LOCATION:

ORDRE DATO:

MODIFY DATE:

: /

REV:

LEV.DATO:

Jefa Rudder
SYSTEMS

JEFA MARINE A/S
NIMBUSVEJ 2
2670 GREVE, DENMARK

Tlf: +45 4615 5210 & Fax: +45 4615208
Email: info@jefa.com www.jefa.com