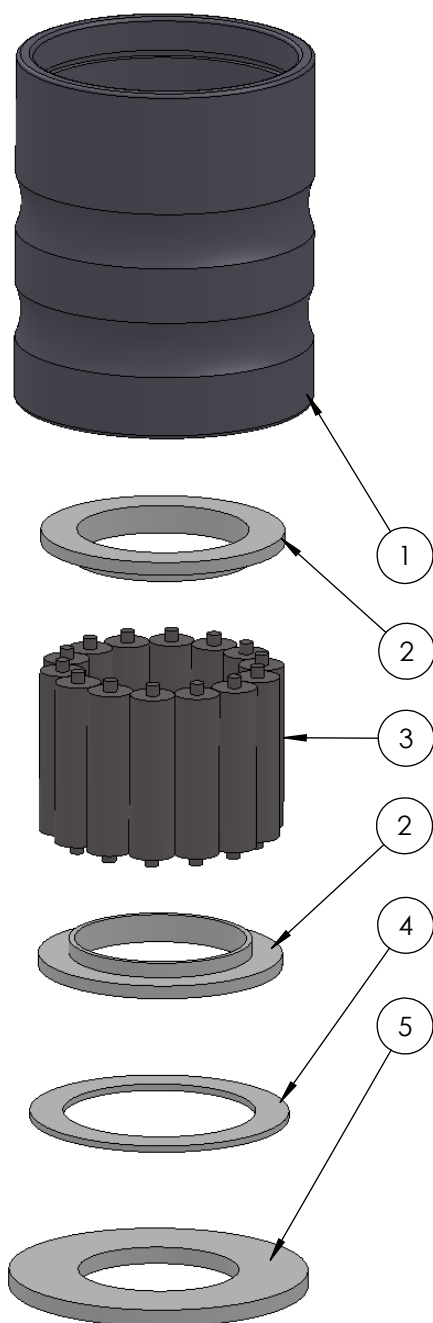
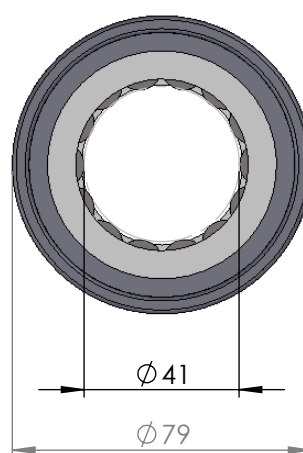
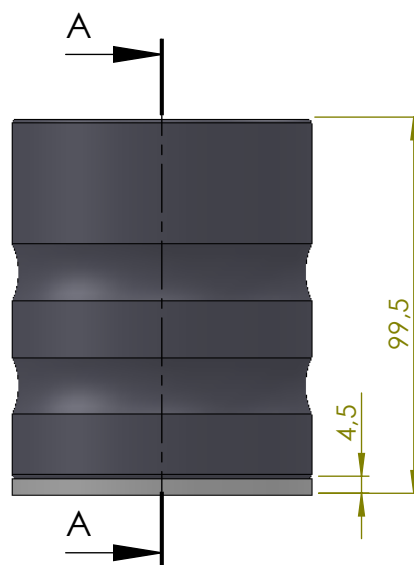


SECTION A-A



ITEM NO.	PART NUMBER	PART NAME	EXPL /QTY
1	M21-103	Rollerbearing $\varnothing 40 - \varnothing 49$ mm	1
2	M05-119	L-ring $\varnothing 45 \times \varnothing 65 \times 7,5$	2
3	M01-264	Roller $\varnothing 12 \times 44$ mm	14
4	M03-195	Delrin Lockring $\varnothing 68,5 \times \varnothing 51 \times 1,75$ mm	1
5	M07-108	Washer $\varnothing 42.5 \varnothing 79$	1

DWG NR / NAME:

41041 / Lower roller bearing

BATCH NR:

PROJECT:

Shaft $\varnothing 41$ mm, max working load 2500kg

REKV.NR / ORDRE NR:

DATE:
09-06-2009NAME:
JRSCALE / PAPER:
1:2 / A4MATERIAL:
WEIGHT: g

LOCATION:

ORDRE DATO:

MODIFY DATE:
: /

REV:

LEV.DATO:

Jefa Rudder
SYSTEMS

JEFA MARINE A/S
NIMBUSVEJ 2
2670 GREVE, DENMARK

Tlf: +45 4615 5210 & Fax: +45 4615 5208
Email: info@jefa.com www.jefa.com