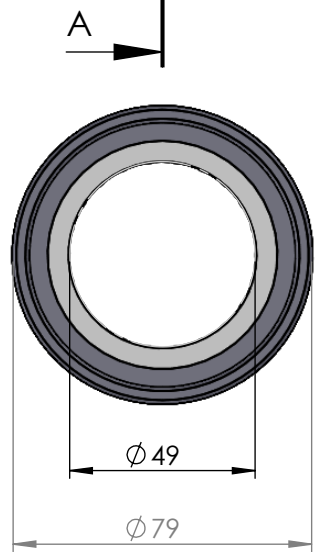
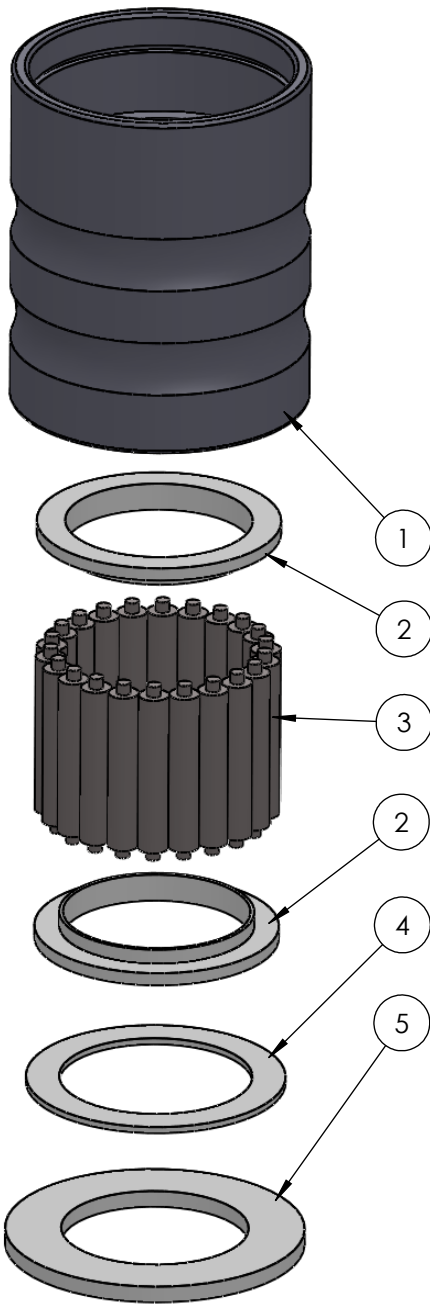
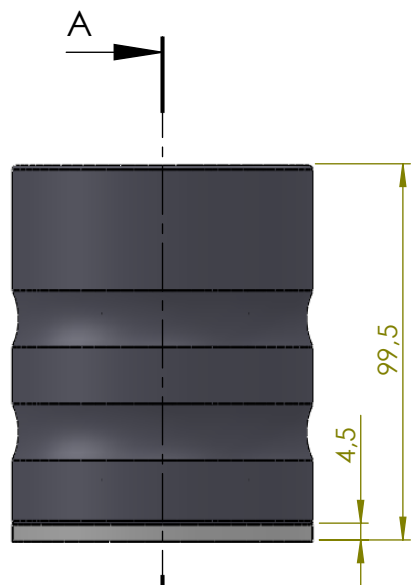


SECTION A-A



ITEM NO.	PART NUMBER	PART NAME	EXPL /QTY
1	M21-103	Rollerbearing $\phi 40 - \phi 49$ mm	1
2	M05-125	L-ring $\phi 49 \times \phi 51.5 \phi 65$	2
3	M01-201	Roller $\phi 8 \times 44$ mm	22
4	M03-195	Delrin Lockring $\phi 68,5 \times \phi 51 \times 1,75$ mm	1
5	M07-113	Washer $\phi 49.5 \times \phi 79$	1

DWG NR / NAME:

41049 / Lower roller bearing

BATCH NR:

PROJECT:
Shaft $\phi 49$ mm, max working load 2500kg

REKV.NR / ORDRE NR:

DATE:
09-06-2009
MODIFY DATE:
: /

NAME:
JR

SCALE / PAPER:
1:2 / A4

MATERIAL:
WEIGHT: g

LOCATION:

ORDRE DATO:

REV:

LEV.DATO:

Jefa Rudder
SYSTEMS
JEFA MARINE A/S
NIMBUSVEJ 2
2670 GREVE. DENMARK
Tlf: +45 4615 5210 & Fax: +45 46155208
Email: info@jefa.com www.jefa.com